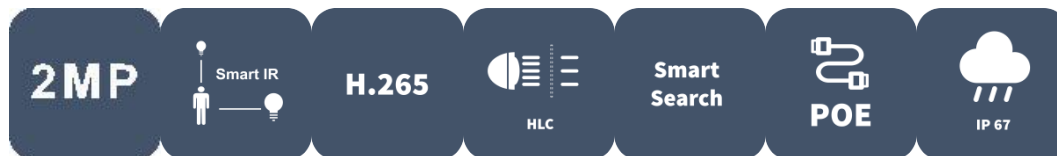


# 2MP HD IR Fixed Mini Bullet Network Camera

IPC2122LB-SF28(40)K-A



## Features

- High quality image with 2MP, 1/2.9"CMOS sensor
- 2MP (1920\*1080)@30/25fps; 720P (1280\*720)@30/25fps
- Ultra H.265,H.265, H.264
- Smart IR, up to 30m (98ft) IR distance
- Day/night functionality
- 2D/3D DNR (Digital Noise Reduction)
- Supports Micro SD card
- DC12V or PoE(IEEE 802.3af) power supply
- IP67 protection
- 3-Axis

## Specifications

|        |                   |                   |
|--------|-------------------|-------------------|
| Model  | IPC2122LB-SF28K-A | IPC2122LB-SF40K-A |
| Camera |                   |                   |

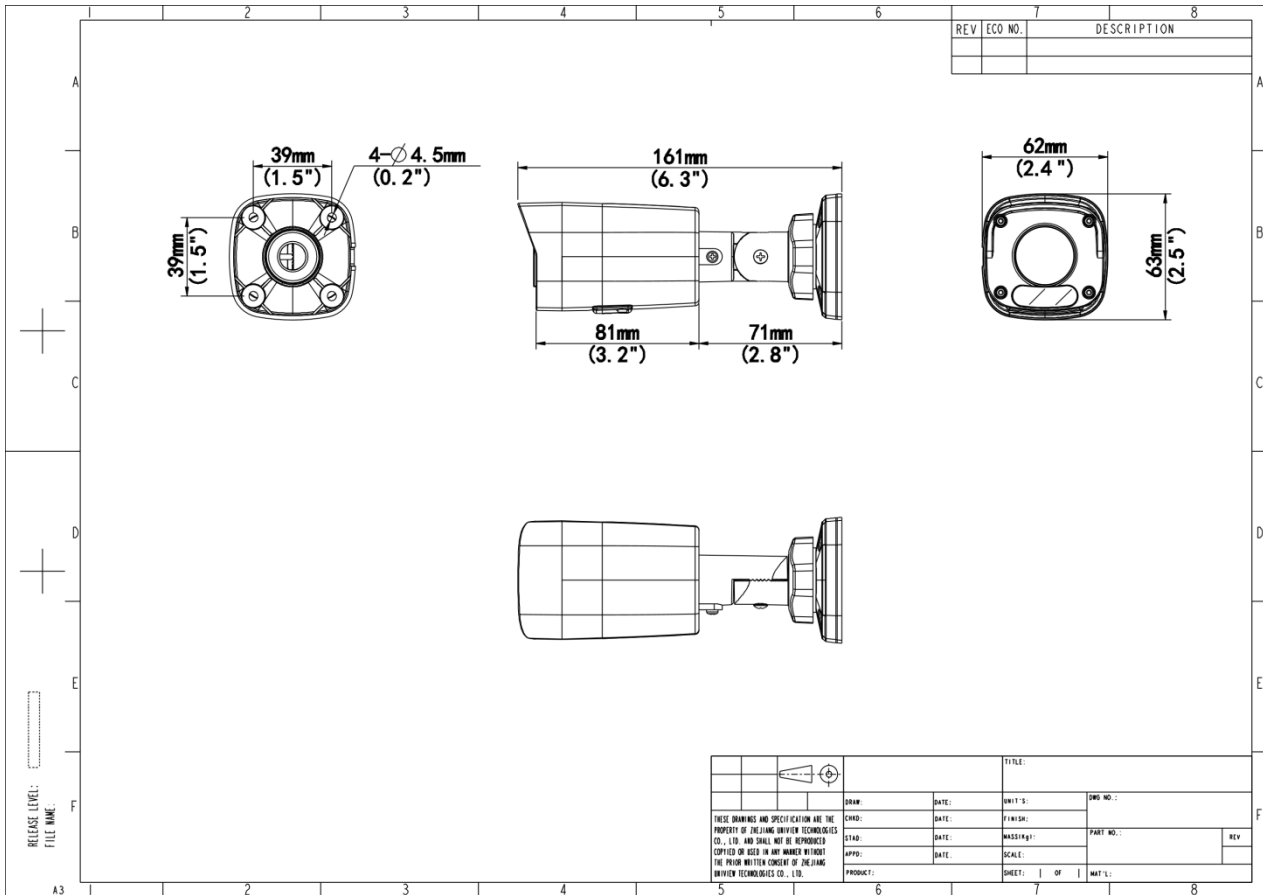
|                            |   |                |
|----------------------------|---|----------------|
| Max Resolution             | 2 MP  |                |
| Sensor                     | 1/2.9" CMOS   |                |
| Min. Illumination          | Colour: 0.01 lux (F2.0, AGC ON)<br>0 lux with IR on |                |
| Day/Night                  | IR-cut filter with auto switch (ICR)                |                |
| Shutter                    | Auto/Manual, 1 ~ 1/100000s                          |                |
| Adjustment Angle           | Pan: 0° ~ 360°, Tilt: 0° ~ 90°, Rotate: 0° ~ 360°   |                |
| S/N                        | >52 dB  |                |
| WDR                        | DWDR  |                |
| <b>Lens</b>                |   |                |
| Focal Length               | 2.8 mm  | 4.0 mm         |
| Iris Type                  | Fixed   |                |
| Iris                       | F2.0  |                |
| Field of View (H)          | 101.1°  | 82.5°          |
| Field of View (V)          | 56.5°   | 44.5°          |
| Field of View (D)          | 117°  | 93°            |
| <b>DORI</b>                |   |                |
| DORI Distance (Lens)       | 2.8mm   | 4.0mm          |
| DORI Distance (Detect)     | 45.0m(147.6ft)                                      | 64.3m(210.9ft) |
| DORI Distance (Observe)    | 18.0m(59.1ft)                                       | 24.8m(81.4ft)  |
| DORI Distance (Recognize)  | 9.0m(29.5ft)  | 12.4m(40.7ft)  |
| DORI Distance (Identify)   | 4.5m(14.8ft)  | 6.2m(20.3ft)   |
| <b>Illuminator</b>         |   |                |
| Supplemental Light         | IR  |                |
| Illumination Distance (IR) | 30 m (98.4 ft)                                      |                |
| Wavelength                 | 850 nm  |                |
| IR On/Off Control          | Auto/Manual   |                |
| <b>Video</b>               |   |                |
| Video Compression          | Ultra 265, H.265, H.264                             |                |
| H.264 Code Profile         | Baseline profile, Main profile, High profile        |                |

|                         |   |
|-------------------------|---|
| Frame Rate              | Main Stream: 2MP (1920*1080),Max 30fps; 720P (1280*720),Max 30fps<br>Sub Stream: D1 (720*576), Max 30fps; 640*360,Max 30fps; 2CIF(704*288), Max 30fps; CIF(352*288), Max 30fps                    |
| Video Bit Rate          | 128 Kbps to 6144 Kbps   |
| U-code                  | Support (Main stream)   |
| OSD                     | Up to 4 OSDs  |
| Privacy Mask            | Up to 4 areas   |
| ROI                     | Support   |
| Video Stream            | Dual Streams  |
| <b>Image</b>            |   |
| White Balance           | Auto, Outdoor, Fine Tune, Sodium Lamp, Locked, Auto2  |
| Digital Noise Reduction | 2D/3D DNR   |
| Smart IR                | Support   |
| Flip                    | Normal, Flip Vertical, Flip Horizontal, 180°  |
| Dewarping               | N/A   |
| HLC                     | Support   |
| BLC                     | Support   |
| Defog                   | Digital Defog   |
| <b>Events</b>           |   |
| Basic Detection         | Motion Detection  |
| General Function        | Watermark, IP Address Filtering, Access Policy, ARP Protection, RTSP Authentication, User Authentication, HTTP Authentication   |
| <b>Storage</b>          |   |
| Edge Storage            | Micro SD, up to 128 GB  |
| <b>Network</b>          |   |
| Protocols               | IPv4, IGMP, ICMP, ARP, TCP, UDP, DHCP, RTP, RTSP, RTCP, RTMP, DNS, DDNS, NTP, UPnP, HTTP, HTTPS, SSL/TLS  |
| Compatible Integration  | ONVIF (Profile S, Profile G, Profile T), API, SDK   |
| User/Host               | Up to 32 users, 2 user levels: administrator and common user  |
| Security                | Password Protection, Strong Password, HTTPS Encryption, Export Operation Logs, Basic and Digest Authentication for RTSP, Digest Authentication for HTTP, WSSE and Digest Authentication for ONVIF |
| Client                  | UNV-Link, UNV-Link Pro, EZStation   |

|                      |  |
|----------------------|--|
| Web Browser          | Plug-in required live view: IE 10+, Chrome 45+, Firefox 52+, Edge 79+, Plug-in free live view: Chrome 57+, Firefox 58+, Edge 16+ |
| <b>Interface</b>     |  |
| Audio I/O            | N/A  |
| Alarm I/O            | N/A  |
| Serial Port          | N/A  |
| Built-in Mic         | N/A  |
| Built-in Speaker     | N/A  |
| WIFI                 | N/A  |
| Network              | 1 × RJ45 10 M/100 M Base-TX Ethernet   |
| Video Output         | N/A  |
| <b>Certification</b> |  |
| EMC                  | CE-EMC (EN 55032, EN 61000-3-3, EN IEC 61000-3-2, EN 55035)<br>FCC (FCC 47 CFR part15 B)   |
| Safety               | CE LVD (EN 62368-1)<br>CB (IEC 62368-1)<br>UL/CUL (UL 62368-1, CAN/CSA C22.2 No. 62368-1)  |
| Environment          | CE-RoHS (2011/65/EU;(EU)2015/863); WEEE (2012/19/EU);  |
| Protection           | IP67 (IEC 60529)   |
| <b>General</b>       |  |
| Power                | DC 12V±25%, PoE (IEEE 802.3af)   |
| Power Consumption    | Max 5.0W   |
| Power Interface      | Ø5.5 mm coaxial power plug   |
| Dimensions           | 161 × 62 × 63mm (6.4"× 2.4" × 2.5") (L x W x H)  |
| Weight               | 0.21kg(0.46lb)   |
| Material             | Graphene + Plastic   |
| Working Environment  | -30 °C to 60 °C (-22 °F to 140 °F), Humidity: ≤ 95% RH (non-condensing)  |
| Storage Environment  | -30 °C to 60 °C (-22 °F to 140 °F), Humidity: ≤ 95% RH (non-condensing)  |
| Surge Protection     | 4 KV   |
| Reset Button         | N/A  |
| Web Client Language  | 1 Language: English  |

## Dimensions

Aggregate product size diagram using "main model" as an example



## Accessories

TR-JB05-A-IN

Small Bullet Junction Box(Support wiring from behind,Square)



TR-UP06-B-IN

Bullet Pole Mounting Bracket



TR-UP06-C-IN

Pole Mounting Bracket for Bullet Junction Box Only



TR-A01-IN

NPT 3/4" Waterproof Cable Gland



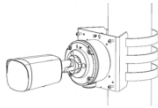
TR-UC08-C

Bullet&Dome Corner Mounting Bracket



## Installation Diagram

Pole Mount



### Zhejiang Uniview Technologies Co., Ltd.

No. 369, Xietong Road, Xixing Sub-district, Binjiang District, Hangzhou City, 310051, Zhejiang Province, China

Email: [overseasbusiness@uniview.com](mailto:overseasbusiness@uniview.com); [globalsupport@uniview.com](mailto:globalsupport@uniview.com)

<http://www.uniview.com>

©2023-2025 Zhejiang Uniview Technologies Co., Ltd. All rights reserved.

\*Product specifications and availability are subject to change without notice.

\*Despite our best efforts, technical or typographical errors may exist in this document. Uniview cannot be held responsible for any such errors and reserves the right to change the contents of this document without prior notice.