

Analog Kit

KIT/XVR301-08U3/8*UAC-B128-ADF28MS



Features

- **UAC-B128-ADF28MS**
 - High quality imaging with 8MP resolution TVI/AHD/CVI/CVBS
 - Supports IR-cut filter with auto-switch (ICR)
 - LightHunter monitoring with high-sensitivity sensor
 - 3D noise reduction technology delivers clean and sharp images
 - Supports 180° horizontal flip, 180° vertical flip
 - OSD configuration menu, easy to operate
 - IP67 waterproof and dustproof design, high reliability
 - OSD configuration menu in 11 languages
 - Built-in microphone for high quality audio transmission via coaxial cables
 - 120dB true WDR technology enables clear image in strong light scene
- **XVR301-08U3**
 - Support Ultra 265/H.265/H.264 video formats
 - Support audio over coaxial cable(TVI cameras)
 - Support TVI, AHD, CVI, CVBS, IP cameras with adaptive access
 - 8-channel BNC input
 - Support 1-ch CVBS output, 1-ch VGA output, 1-ch HDMI output at up to 4K(3840 x 2160)
 - HDMI and VGA simultaneous output
 - Long transmission distance over coaxial cable
 - Support mainstream cameras of ONVIF and RTSP protocols

Specifications

- **UAC-B128-ADF28MS**

Model	UAC-B128-ADF28MS	UAC-B128-ADF40MS
Camera		
Max Resolution	8 MP	
Sensor Size	1/2.7" CMOS	
Min. Illumination	0.005 lux (F1.6, AGC ON) 0 lux (IR ON)	
Lens		
Focus	2.8 mm	4.0 mm
Lens Mount	M12	
Angle of View (H)	109.1°	86.8°
Angle of View (V)	61.0°	49.4°
Angle of View (D)	126.7°	99.9°
Illuminator		
Illuminator Number	Two IR illuminators	
Illumination Distance	40m	
Lifetime	≥ 60000 hours	
Video		
Resolution	4K: 3840(H) × 2160(V) 5MP@20fps: 2592(H)×1944(V); 4MP: 2560(H)×1440(V)	
Frame Rate	CVI: 4K@15fps (default), 5MP@20fps, 4MP@25fps, 4MP@30fps TVI/AHD: 4K@15fps, 5MP@20fps, 4MP@25fps, 4MP@30fps CVBS: PAL, NTSC	
Shutter Time	PAL: 1/25s-1/50000s, NTSC: 1/30s-1/50000s	
Image		
Exposure Mode	Four modes: Global (default), BLC, HLC, WDR	
Day/Night	Three modes: Auto (default), Day, Night	
Digital Noise Reduction	2D/3D	
White Balance	Two modes: Auto (default), Manual	
WDR	120 dB WDR	
Smart IR	Support	
Flip	Supports 180°horizontal flip, 180°vertical flip	
Digital Defog	N/A	
Audio		
Built-in Mic	Support	
Camera Audio	CVI: 4K@15fps, 5MP@20fps, 4MP@25fps, 4MP@30fps	
Interface		
Power Interface	5.5 mm Power Interface	
Video Output	BNC, supports TVI/AHD/CVI/CVBS	
Operating Environment		
Temperature	-30 °C to 60 °C (-22 °F to 140 °F)	
Humidity	≤ 95% RH (non-condensing)	

Surge Protection	4kV for power&4kV for video output interfaces
General	
Power	DC 12 V ± 25%
Power Consumption	MAX 4.8W
Mount	Corner Mount&Pole Mount
Dimensions	157mm*67mm*66mm (L*W*H)
Material	Metal
Weight	300g(0.67lb)
OSD Menu Language	11 Languages: English, German, Spanish (Latin America), French, Italian, Japanese, Korean, Polish, Portuguese (Brazil), Russian, Turkish
Certification	
EMC	CE-EMC (EN 55032, EN 61000-3-3, EN IEC 61000-3-2, EN 55035), FCC (FCC 47 CFR part15 B)
Safety	CE-LVD (EN 62368-1)
Environment	CE-RoHS (2011/65/EU; (EU) 2015/863); WEEE (2012/19/EU)
Protection	IP67 (IEC 60529)

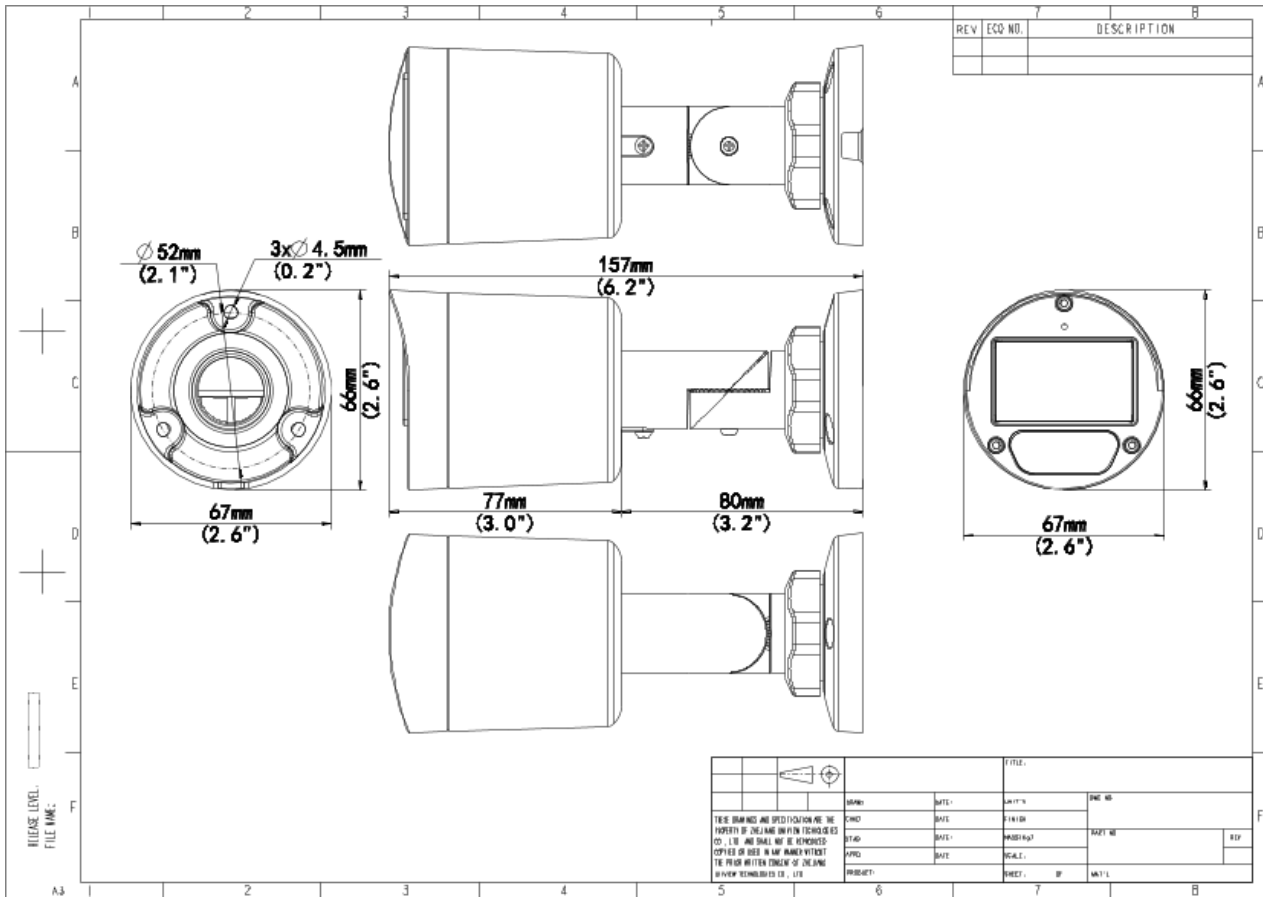
• **XVR301-08U3**

Model	XVR301-08U3
Video/Audio Input	
IP Video Input	8-ch
Analog Video Input	8-ch, BNC
Max IP Video Input	16-ch
Supported Analog Camera Types	Support AHD input: 8MP@15fps 5MP@20fps 4MP@30fps 1080P@30fps 720P@30fps Support TVI input: 8MP@15fps 5MP@20fps 4MP@30fps 1080P@30fps 720P@30fps Support CVI input: 8MP@15fps 5MP@25fps 4MP@30fps 1080P@30fps 720P@30fps Support CVBS input
BNC Audio Input	8-ch, channel audio
RCA Audio Input	1-ch
Video/Audio Output	

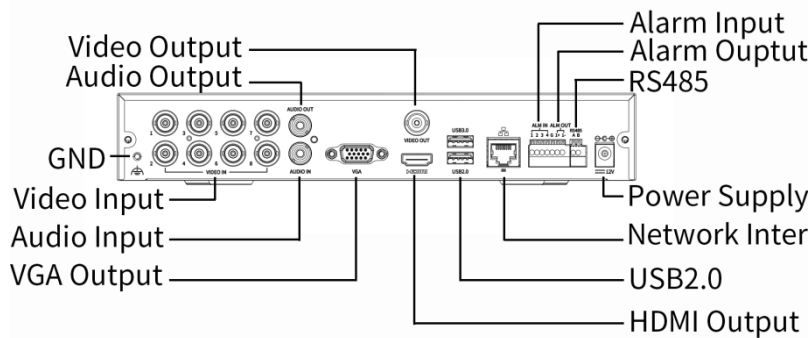
HDMI Output	HDMI: 4K (3840 × 2160)/30 Hz, 1920 × 1080/60 Hz, 1920 × 1080/50 Hz, 1600 × 1200/60 Hz, 1280 × 1024/60 Hz, 1280 × 720/60 Hz, 1024 × 768/60 Hz
VGA Output	VGA: 1920 × 1080/60 Hz, 1920 × 1080/50 Hz, 1600 × 1200/60 Hz, 1280 × 1024/60 Hz, 1280 × 720/60 Hz, 1024 × 768/60 Hz
BNC Video Output	1-ch
RCA Audio Output	1-ch
Live View Display	HDMI/VGA: 1/4/6/8/9/16
Playback Screen	1/4/9/16
Encoding/Decoding	
Recording Resolution	8MP/5MP/4MP/1080P/720P/D1
Recording Frame Rate	Main stream: 8MP@8fps Sub stream: D1@8fps Main stream: 5MP@12fps Sub stream: D1@12fps Main stream: 4MP@15fps Sub stream: D1@15fps Main stream: 1080P@25fps Sub stream: D1@25fps Main stream: 720P@30fps Sub stream: D1@30fps
Audio Sample Rate	8 kHz, 16 bit per channel
Audio Bit Rate	64 Kbps per channel
Decoding Capability	Analog: 8 x 8MP @8, 8 x 5MP @12, 8 x 4MP @15, 8 x 1080P@25, 8 x 720@30 IP: 2 x 8MP@30, 4 x 4MP@30, 8 x 1080P@30, 16 x 720P@30
Num of Concurrent Playback in Local	16-ch
Coaxial Cable	
Audio over Coaxial Cable(Form)	8-ch, One-way Audio(TVI UNV)/One-way Audio(CVI UNV)
Two-way Audio	
Two-way Audio	1-ch, RCA (Using the audio input and output)
Analog Snapshot	
FTP/Schedule/Event Snapshot	Schedule/FTP/Event snapshot:8-ch snapshot, up to 704*576 resolution
Network	
Incoming Bandwidth	80Mbps (Up to 96 Mbps after all analog channel conversion)
Outgoing Bandwidth	160Mbps
Remote Users	128
Protocols	TCP/IP, P2P, UPnP, DHCP, HTTP, HTTPS, DNS, DDNS, SMTP
Browser(Plugin)	IE10, IE11, Chrome 45+, Edge 79+, Firefox 52+
Smart	
Analog Smart by XVR	Ultra Motion Detection (UMD) , SIP (Intrusion Detection, Cross Line Detection, Enter Area, Leave Area)

IP Smart by IPC	Face Detection, SIP (Intrusion Detection, Cross Line Detection, Enter Area, Leave Area), Defocus Detection, Scene Change Detection, Object Removed, Object Left Behind, Auto Tracking
VCA Search	Face Search, Behavior Search
Smart Functions by XVR	8-ch (UMD), 4-ch (SIP)
Smart Functions by IP Camera	4-ch (SIP)
Alarm	
General Alarm	Motion
Alert Alarm	IP Conflict, Network Disconnected, Disk offline, Disk Abnormal, Illegal Access, Hard Disk Space Low, Hard Disk Full, Recording/Snapshot Abnormal
GUI Language	
GUI Language	38 languages: Simplified Chinese, Traditional Chinese, English, Vietnamese, Thai, Turkish, Spanish (Latin America), Portuguese (Brazil), Spanish, Portuguese, French, German, Italian, Dutch, Polish, Czech, Hungarian, Slovak, Russian, Hebrew, Arabic, Ukrainian, Estonian, Bulgarian, Greek, Romanian, Danish, Swedish, Norwegian, Finnish, Croatian, Slovenia, Serbia, Korean, Japanese, Latvian, Lithuanian, Persian
Hard Disk	
SATA	1 SATA interface
Capacity	Up to 16 TB for each HDD (The maximum HDD capacity varies with environment temperature)
External Interface	
Network Interface	1 RJ45 10 M/100 M/1000 M self-adaptive Ethernet Interface
USB	Rear panel: 1 × USB2.0, 1 × USB3.0
RS485	1
RS232	N/A
Alarm In	4-ch
Alarm Out	1-ch
Power Supply	DC 12 V/2 A
Working Environment	
Working Temperature	-10 °C to 55 °C (14 °F to 131 °F)
Working Humidity	≤ 90% RH (non-condensing)
Power Consumption (without HDD)	≤ 12W
Dimensions	
Weight (without HDD)	≤1.2 Kg (2.65lb)
Dimensions	260mm ×251mm× 46mm (10.2" × 9.9"×1.8")
Certification	
Certification	CE, FCC, UL, RoHS, WEEE
CE	EN 55032, EN 61000-3-3, EN IEC 61000-3-2
FCC	Part15 Subpart B

Dimensions



Rear Panel



Unlimited New View

Zhejiang Uniview Technologies Co., Ltd.



<http://www.uniview.com>



overseasbusiness@uniview.com; globalsupport@uniview.com



No. 369, Xietong Road, Xixing Sub-district, Binjiang District, Hangzhou City, 310051, Zhejiang Province, China



©2023-2025 Zhejiang Uniview Technologies Co., Ltd. All rights reserved.

*Product specifications and availability are subject to change without notice.

Despite our best efforts, technical or typographical errors may exist in this document. Uniview cannot be held responsible for any such errors and reserves the right to change the contents of this document without prior notice.