

16-CH Traffic Recording Terminal Server IVT-2600@A-A16S-OS



Overview

The product is a new-generation outdoor video recorder for intelligent traffic. The device is integrated with video management, data management, iSCSI storage, video decoding, image processing, network switching, and other functions. It can be used as a standalone system or used with platform devices to form a powerful smart traffic management system.

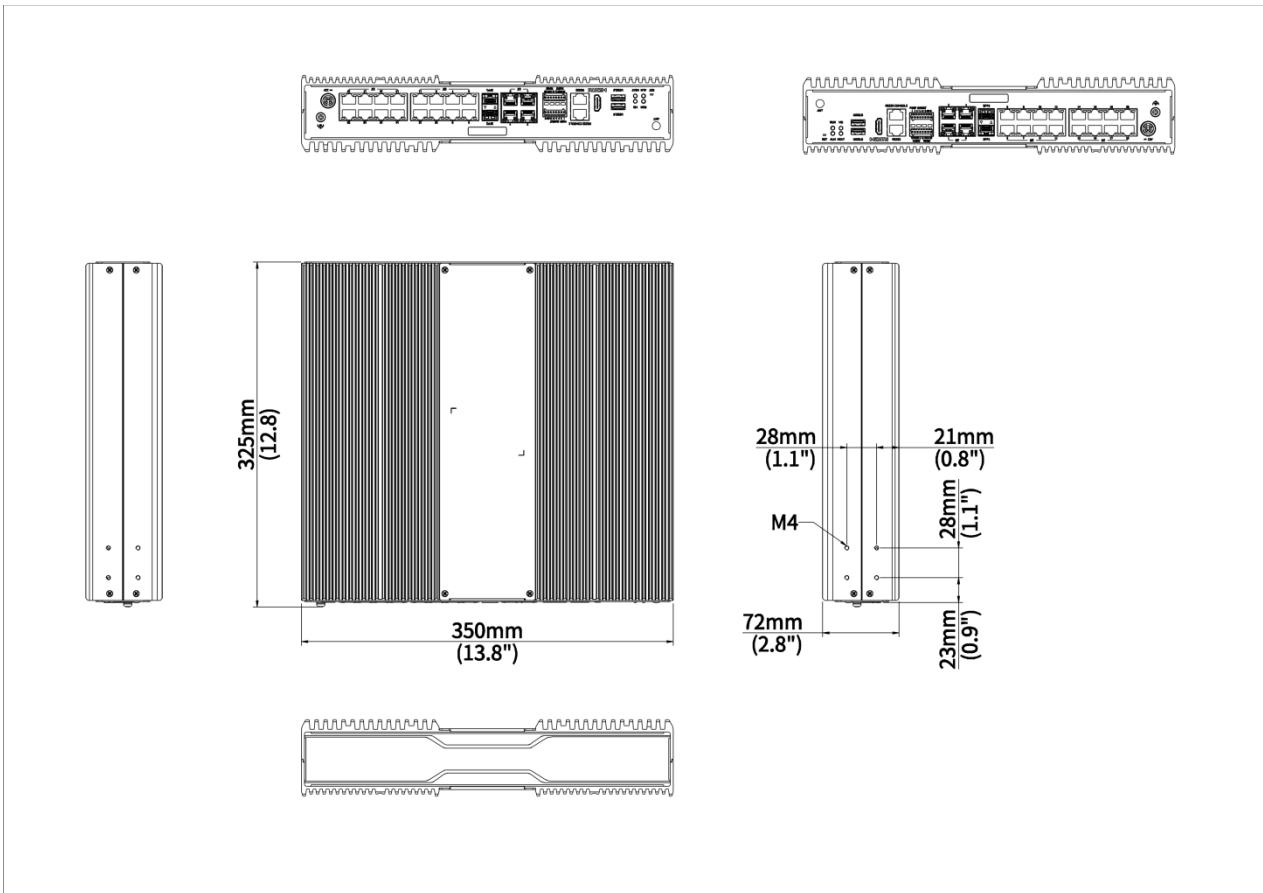
Features

- Embedded Linux OS, 24/7 stable operation, better protection against hacker and virus attacks.
- Dual NICs allow two physical networks.
- 20 * Gigabit Ethernet interfaces (RJ45) and 2 * Gigabit optical interfaces.
- Supports CIF, D1, 720P, 1080P, 2K, and 4K video input.
- Powerful video processing functions, supports decoding mainstream video compression formats including H.265 and H.264.
- Supports text OSD, including plate numbers, time, location, etc.
- Supports composition of multiple images.
- Supports direct iSCSI block storage, instant video retrieval and playback.
- Supports image storage, search, view, export, and upload.
- Supports data acquisition through serial port.
- Supports S.M.A.R.T.
- Supplied with 1*4TB hard disk.
- Die-cast aluminum chassis with elegant appearance, effective shields electromagnetic interferences to ensure stable and reliable operation.

Specifications

Model	IVT2600@A-A16S-OS
Device Specifications	
Video decoding	H.264, H.265
Camera connection	Max 16 channels
Image composition	Supports composition of 2, 3, 4, or 6 images
Image operations	Image storage, search, view, export, and uploads
Image OSD	Text OSD including plate number, time, location, etc., on single or composite images
Hard disk storage	Supplied with 1*4TB hard disk Expansion to 4 * 3.5" SATA disk, up to 8TB each
External interfaces	
Network interface	Dual NICs with support for dual-network isolation dual-network interconnection. NIC1: 16 * Gigabit Ethernet interfaces (RJ45). NIC2: 2 * Gigabit optical interface, 4 * Gigabit Ethernet interfaces (RJ45).
USB interface	2 * USB 3.0, compatible with USB 2.0
Serial interface	2 x RS-232, 2 x RS-485
Alarm input	2 x alarm input (phoenix connector)
Alarm output	2 x alarm output (phoenix connector)
Power output	DC12V, 500mA
Power input	DC12V, 10A
Hardware Parameter	
Power consumption	< 30W (with 1 HDD, and heating module off) < 85W (with 1 HDD, and heating module on) < 110W (with HDD fully configured, and heating module on)
Operating temperature	-30°C to 70°C
Operating humidity	5% to 95% (noncondensing)
Weight	With 1 supplied HDD: < 7kg Fully loaded with HDD: < 9kg
Dimensions	350mm(W) × 320mm(D) × 72mm(H)
Certification	
EMC	CE EMC: EN 55032: 2015+A11:2020+A1:2020 EN 55035: 2017+A11:2020 EN 61000-3-3: 2013+ A1:2019+A2:2021 EN IEC 61000-3-2: 2019+A1:2021
Safety	CE LVD: EN IEC 62368-1:2020+A11:2020

Dimensions



Ordering Info

Product Model	Config	Description
IVT2600	A-A16S-OS	16-CH Traffic Recording Terminal Server

Unlimited New View

Zhejiang Uniview Technologies Co., Ltd.



<http://www.uniview.com>



overseasbusiness@uniview.com; globalsupport@uniview.com



No. 369, Xietong Road, Xixing Sub-district, Binjiang District, Hangzhou City, 310051, Zhejiang Province, China



©2023-2025 Zhejiang Uniview Technologies Co., Ltd. All rights reserved.

*Product specifications and availability are subject to change without notice.

Despite our best efforts, technical or typographical errors may exist in this document. Uniview cannot be held responsible for any such errors and reserves the right to change the contents of this document without prior notice.