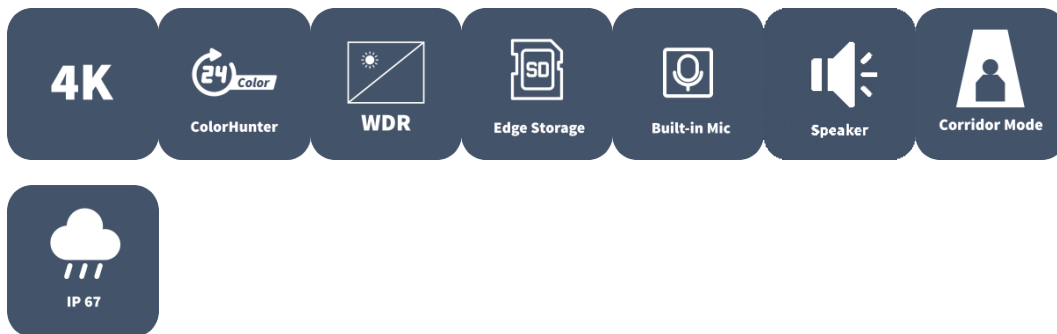


8MP HD ColorHunter Mini IR Fixed Bullet Network Camera

IPC2128LE-ADF28(40)KMC-DL



Features

- High quality image with 8MP, 1/2.8"CMOS sensor
- 8MP (3840*2160)@20fps; 5MP (3072*1728)@30/25fps; 4MP (2560*1440)@30/25fps; 2MP (1920*1080) @30/25fps
- Ultra 265, H.265, H.264, MJPEG
- 120dB true WDR technology enables clear image in strong light scene
- Support 9:16 Corridor Mode
- Built-in Mic & Speaker
- Smart IR, up to 30m (98ft) IR distance
- Supports 512 G Micro SD card
- IP67 protection
- Support PoE power supply

- 3-Axis

Specifications

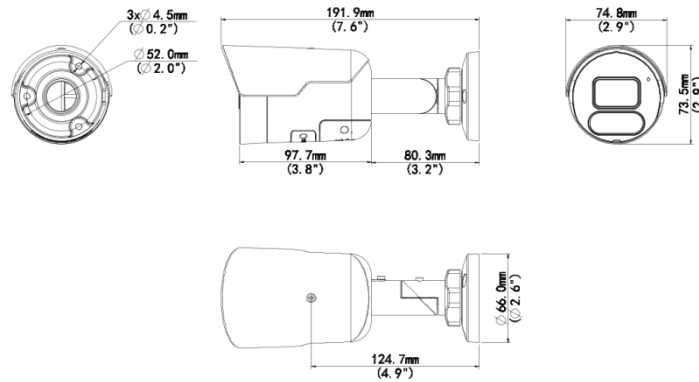
Camera	Description
Max Resolution	IPC2128LE-ADF28KMC-DL:8MP
Sensor	IPC2128LE-ADF28KMC-DL:1/2.8" CMOS
Min. Illumination	IPC2128LE-ADF28KMC-DL:Colour: 0.005 lux (F1.6, AGC ON) 0 Lux with light
Day/Night	IPC2128LE-ADF28KMC-DL:IR-cut filter with auto switch (ICR)
Shutter	IPC2128LE-ADF28KMC-DL:Auto/Manual, 1 ~ 1/100000s
Adjustment Angle	IPC2128LE-ADF28KMC-DL:Pan: 0° ~ 360°, Tilt: 0° ~ 90°, Rotate: 0° ~ 360°
S/N	IPC2128LE-ADF28KMC-DL:>56dB
WDR	IPC2128LE-ADF28KMC-DL:120dB
Lens	Description
Focal Length	IPC2128LE-ADF28KMC-DL:2.8 mm
Iris Type	IPC2128LE-ADF28KMC-DL:Fixed
Iris	IPC2128LE-ADF28KMC-DL:F1.6
Field of View (H)	IPC2128LE-ADF28KMC-DL:98.7°
Field of View (V)	IPC2128LE-ADF28KMC-DL:53.9°
Field of View (D)	IPC2128LE-ADF28KMC-DL:103.6°
Lens Type	IPC2128LE-ADF28KMC-DL:Fixed
DORI	Description
DORI Distance(Lens)	IPC2128LE-ADF28KMC-DL:2.8mm
DORI Distance(Detect)	IPC2128LE-ADF28KMC-DL:87.0m(285.3ft)
DORI Distance(Observe)	IPC2128LE-ADF28KMC-DL:34.8m(114.1ft)
DORI Distance(Recognize)	IPC2128LE-ADF28KMC-DL:17.4m(57.1ft)
DORI Distance(Identify)	IPC2128LE-ADF28KMC-DL:8.7m(28.5ft)
Illuminator	Description
Supplemental Light	IPC2128LE-ADF28KMC-DL:Dual Light
Illumination Distance(IR)	IPC2128LE-ADF28KMC-DL:30 m (98.4 ft)
Illumination Distance(Warm Light)	IPC2128LE-ADF28KMC-DL:30 m (98.4 ft)

)	
Wavelength	IPC2128LE-ADF28KMC-DL:850 nm
Light On/Off Control	IPC2128LE-ADF28KMC-DL:Auto/Manual
Video	Description
Video Compression	IPC2128LE-ADF28KMC-DL:Ultra 265; H.265; H.264; MJPEG
H.264 Code Profile	IPC2128LE-ADF28KMC-DL:Baseline profile, Main profile, High profile
Frame Rate	IPC2128LE-ADF28KMC-DL:Main Stream: 8MP (3840*2160), Max 20fps;5MP (3072*1728), Max 30fps; 4MP (2560*1440), Max 30fps; 1080P (1920*1080), Max 30fps; 720P (1280*720), Max 30fps; Sub Stream: 1080P (1920*1080), Max 30fps; 720P (1280*720), Max 30fps; D1 (720*576), Max 30fps; 640*360,Max 30fps; 2CIF(704*288), Max 30fps; CIF(352*288), Max 30fps;
Video Bit Rate	IPC2128LE-ADF28KMC-DL:128 Kbps ~ 16 Mbps
U-code	IPC2128LE-ADF28KMC-DL:Support
OSD	IPC2128LE-ADF28KMC-DL:Up to 4 OSDs
Privacy Mask	IPC2128LE-ADF28KMC-DL:Up to 4 areas
ROI	IPC2128LE-ADF28KMC-DL:Support
Video Stream	IPC2128LE-ADF28KMC-DL:Dual Streams
Image	Description
White Balance	IPC2128LE-ADF28KMC-DL:Auto; Outdoor; Fine Tune; Sodium Lamp; Locked; Auto2
Digital Noise Reduction	IPC2128LE-ADF28KMC-DL:2D/3D DNR
Smart IR	IPC2128LE-ADF28KMC-DL:Support
Flip	IPC2128LE-ADF28KMC-DL:Normal; Flip Vertical; Flip Horizontal; 180°; 90°Clockwise; 90°Anti-clockwise
Dewarping	IPC2128LE-ADF28KMC-DL:N/A
HLC	IPC2128LE-ADF28KMC-DL:Support
BLC	IPC2128LE-ADF28KMC-DL:Support
Defog	IPC2128LE-ADF28KMC-DL:Digital Defog
Image Stabilization	IPC2128LE-ADF28KMC-DL:N/A
Events	Description
Basic Detection	IPC2128LE-ADF28KMC-DL:Cross line; Intrusion (based on Human Body Detection); Motion Detection; Ultra Motion Detection; Tampering Alarm; Audio Detection
General Function	IPC2128LE-ADF28KMC-DL:Watermark; IP Address Filtering; Access Policy; ARP Protection; RTSP Authentication; User Authentication; HTTP Authentication

Audio	Description
Audio Compression	IPC2128LE-ADF28KMC-DL:G.711U; G.711A
Audio Bitrate	IPC2128LE-ADF28KMC-DL:64 Kbps
Two-way Audio	IPC2128LE-ADF28KMC-DL:Support
Suppression	IPC2128LE-ADF28KMC-DL:Support
Sampling Rate	IPC2128LE-ADF28KMC-DL:8 KHz
Storage	Description
Edge Storage	IPC2128LE-ADF28KMC-DL:Micro SD, up to 512 GB
Network Storage	IPC2128LE-ADF28KMC-DL:ANR; NAS (NFS)
Network	Description
Protocols	IPC2128LE-ADF28KMC-DL:IPv4; IGMP; ICMP; ARP; TCP; UDP; DHCP; RTP; RTSP; RTCP; RTMP; DNS; DDNS; NTP; FTP; UPnP; HTTP; HTTPS; SMTP; SSL/TLS; SNMP; QoS
Compatible Integration	IPC2128LE-ADF28KMC-DL:ONVIF (Profile S, Profile G, Profile T); API; SDK
User/Host	IPC2128LE-ADF28KMC-DL:Up to 32 users. 3 user levels: administrator, common user and operator
Security	IPC2128LE-ADF28KMC-DL>Password Protection; Strong Password; HTTPS Encryption; Export Operation Logs; Basic and Digest Authentication for RTSP; Digest Authentication for HTTP; TLS 1.2; WSSE and Digest Authentication for ONVIF
Client	IPC2128LE-ADF28KMC-DL:UNV-Link; UNV-Link Pro; EZStation
Web Browser	IPC2128LE-ADF28KMC-DL:Plug-in required live view: IE 10 and above, Chrome 45 and above, Firefox 52 and above, Edge 79 and above; Plug-in free live view: Chrome 57.0 and above, Firefox 58.0 and above, Edge 16 and above
Interface	Description
Audio I/O	IPC2128LE-ADF28KMC-DL:N/A
Alarm I/O	IPC2128LE-ADF28KMC-DL:N/A
Serial Port	IPC2128LE-ADF28KMC-DL:N/A
Built-in Mic	IPC2128LE-ADF28KMC-DL:Support
Built-in Speaker	IPC2128LE-ADF28KMC-DL:Support
WIFI	IPC2128LE-ADF28KMC-DL:N/A
Network	IPC2128LE-ADF28KMC-DL:1 x RJ45 10M/100M Base-TX Ethernet
Video Output	IPC2128LE-ADF28KMC-DL:N/A
Certification	Description

EMC	IPC2128LE-ADF28KMC-DL:CE-EMC (EN 55032, EN 61000-3-3, EN IEC 61000-3-2, EN 50130) FCC (FCC 47 CFR part15 B)
Safety	IPC2128LE-ADF28KMC-DL:CE LVD (EN 62368-1) UL/CUL (UL 62368-1, CAN/CSA C22.2 No. 62368-1)
Environment	IPC2128LE-ADF28KMC-DL:CE-RoHS (2011/65/EU;(EU)2015/863); WEEE (2012/19/EU);
Protection	IPC2128LE-ADF28KMC-DL:IP67 (IEC 60529)
General	Description
Power	IPC2128LE-ADF28KMC-DL:DC 12V ± 25%, PoE (IEEE 802.3af) Power consumption: Max 5.5W
Power Interface	IPC2128LE-ADF28KMC-DL:Ø 5.5 mm coaxial power plug
Dimensions	IPC2128LE-ADF28KMC-DL:192 × 75 × 74mm (7.6" × 2.9" × 2.9")
Weight	IPC2128LE-ADF28KMC-DL:0.40kg (0.88lb)
Material	IPC2128LE-ADF28KMC-DL:Graphene + Metal
Working Environment	IPC2128LE-ADF28KMC-DL:-30 °C ~ 60 °C (-22 °F ~ 140 °F), Humidity: ≤95% RH (non-condensing)
Storage Environment	IPC2128LE-ADF28KMC-DL:-30 °C ~ 60 °C (-22 °F ~ 140 °F), Humidity: ≤95% RH (non-condensing)
Surge Protection	IPC2128LE-ADF28KMC-DL:4KV
Reset Button	IPC2128LE-ADF28KMC-DL:Support
Web Client Language	IPC2128LE-ADF28KMC-DL:4 Languages English, Russian, Spanish, Vietnamese

Dimensions



Accessories

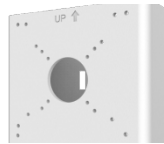
TR-JB05-B-IN

Small Bullet Junction Box(Elegant White)



TR-UP06-C-IN

Pole Mounting Bracket for Bullet Junction Box Only



TR-UC08-C

Bullet&Dome Corner Mounting Bracket



Zhejiang Uniview Technologies Co., Ltd.

No. 369, Xietong Road, Xixing Sub-district, Binjiang District, Hangzhou City, 310051, Zhejiang Province, China

Email: overseasbusiness@uniview.com; globalsupport@uniview.com

<http://www.uniview.com>

©2024 Zhejiang Uniview Technologies Co., Ltd. All rights reserved.

*Product specifications and availability are subject to change without notice.

*Despite our best efforts, technical or typographical errors may exist in this document. Uniview cannot be held responsible for any such errors and reserves the right to change the contents of this document without prior notice.