

150-meter Perimeter Radar-Camera System RVS441



Features

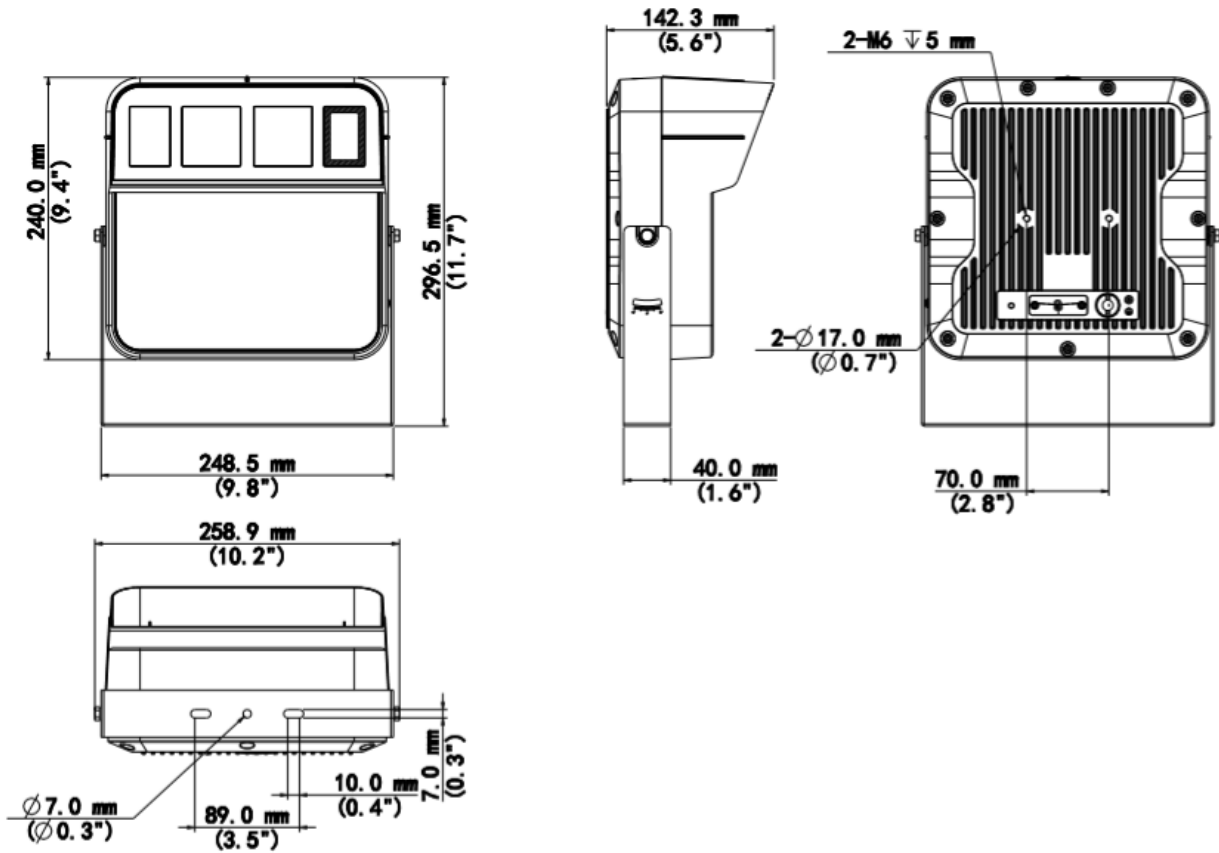
- 80GHz high-frequency band millimeter-wave radar enables high-precision and high-resolution detection.
- Supports dual-scene coverage with long and short focal lengths to adapt to diverse application scenarios.
- Incorporates starlight-level sensors for enhanced nighttime performance.
- Facilitates radar-video data fusion to boost target detection and recognition capabilities.
- Supports simultaneous detection of 32 targets.
- Supports detection of motor vehicles, non-motor vehicles, and pedestrians.
- Supports accurate recognition of various pedestrian actions, including walking, crawling, crouching, running, and wall climbing.
- Supports simultaneous monitoring of 8 detection zones.
- Maximum 150m detection range.
- Supports automatic tracking of intruders.
- Supports event detection including intrusion detection and cross line detection.
- Applicable to diverse environments including campuses, airports, railways, power facilities, and other operational scenarios.

Specifications

Channel	channel 1	channel 2
Camera		
Max Resolution	4 MP	
Sensor	1/1.8" CMOS	
Basic Parameters		
Min. Illumination	0.0003 lux (1.0, AGC ON, color), 0 lux (warm light on)	0.0005 lux (F1.6, AGC ON, color) , 0.0003lux (F1.6, AGC ON, black/white)
Shutter Range	1 ~ 1/100000s	
Day/Night	Color, all day	Day : Color, Night : IR
Lens		
Focal Length	4.0 mm	8 to 32 mm
Optical Zoom	N/A	4X
Field of View (V)	93.9°	15.4° ~ 44.1°
Field of View (H)	51.2°	8.7° ~ 24.5°
Illuminator		
Built-in Illuminator Type	2 near warm lights + 2 mid-IR lights + 8 far-IR lights	
Light Beads	12	
Built-in Illumination Range	Warm light : 40m	IR light : 150m
Key Functional Parameters		
Radar-video Fusion	Support	
Max. Detection Targets	32	
Max. Detection Areas	8	
Detection Target Type	Pedestrian, motor vehicle, non-motor vehicle	
Pedestrian Detection Capability	Accurate recognition of various actions, including walking, crawling, crouching, running, and wall climbing	
Detection Direction	Supports incoming, outgoing, lateral motion detection	
Detection Distance Range	10 ~ 150 m	
Lateral Detection Range	20 ~ 150 m	
Radar		
Radar Frequency Band	80GHz	
Modulated Waveform	FMCW	
Detection Frequency	Up to 16 times per second	
Distance Resolution	1.5m	
Speed Resolution	0.1m/s	
Speed Measurement Range	0.03-30m/s	
Azimuth Angle Precision	±1°	
Distance Precision	±0.75m	
Speed Precision	±0.2m/s	
Detection Angle	Horizontal Angle ±8° Elevation Angle ±3	

Video	
Video Compression	H.265, H.264, MJPEG
Video Resolution	Main stream: 2688×1520, 1080P, 720P, D1, 2CIF, CIF Sub stream: 1080P, 720P, D1, 2CIF, CIF Third stream: D1, 2CIF, CIF
Video Frame Rate	2688×1520@30 fps
Video Bit Rate	128-16384Kbps
Video OSD	Multiple types of contents, such as date and time, with custom font color
Image	
Image Resolution	2688×1520
Image Encoding Format	JPEG
Image Settings	Exposure mode, shutter time, gain, exposure compensation, day/night mode, etc.
Digital Noise Reduction	2DNR/3DNR
Event	
Event Type	Intrusion detection, cross line detection
Storage	
Edge Storage	GB eMMC, supports expansion to 128 GB TF card
Network	
Protocols	SSH; RTP; RTCP; IPv4; ARP; TCP; UDP; DHCP; RTSP; DNS; DDNS; NTP; FTP; UPnP; HTTP; HTTPS; 802.1x; SNMP; LAPI
Compatible Integration	ONVIF
Interface	
Network Interface	1 x 10M/100M/1000M Ethernet interface
Serial Port	1 x RS 485
Alarm Input	2
Alarm Output	2
Reset Button	Support
General	
Power Supply	DC 24V ±25%
Power Consumption	≤ 30W
Dimensions	248.5mm (W) ×142.3mm (D) ×240.0mm (H)
Weight	2.86kg (with bracket)
Lightning and Surge Protection	Support
Operating Temperature	- 40°C to 70°C
Operating Humidity	5% to 95% RH (non-condensing)
Ingress Protection	IP67
Spirit Level	Support
Compliance	
NDAA Compliant	Support

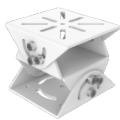
Dimensions



Accessories

TR-UV06-A-IN

3D Adjustable Mounting Bracket



TR-UP06-IN

Universal Pole Mounting Bracket



Unlimited New View

Zhejiang Uniview Technologies Co., Ltd.



<http://www.uniview.com>



overseasbusiness@uniview.com; globalsupport@uniview.com



No. 369, Xietong Road, Xixing Sub-district, Binjiang District, Hangzhou City, 310051, Zhejiang Province, China



©2023-2025 Zhejiang Uniview Technologies Co., Ltd. All rights reserved.

*Product specifications and availability are subject to change without notice.

Despite our best efforts, technical or typographical errors may exist in this document. Uniview cannot be held responsible for any such errors and reserves the right to change the contents of this document without prior notice.