

## 4MP LPR Bullet Camera (PoE H.265 IR (warm light)) PKC2641-Z28-(IR)-P



### Features

- 1/1.8" progressive scan CMOS.
- Up to 2688 × 1520 resolution with real-time video.
- Supports AI ISP for enhanced image quality.
- Automatic gain control, white balance, and WDR for various light conditions.
- Video frame rate upgraded to 60 fps.
- Built-in vehicle and license plate recognition algorithm can recognize standard license plates of multiple countries.
- Supports plate allowlist and blocklist configuration.
- Supports Micro SD cards of up to 512GB.
- IP67 and IK10 protection.

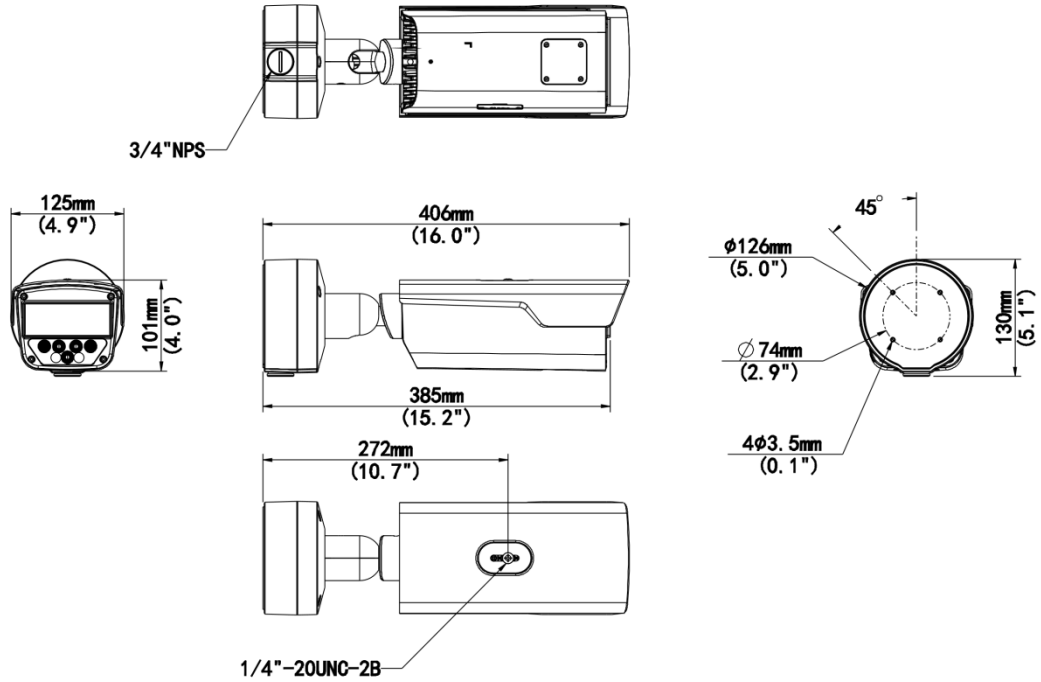
# Specifications

Model	PKC2641-Z28-P	PKC2641-Z28-IR-P	PKC2641-Z28-IR-P-NB
<b>Camera</b>			
Sensor	1/1.8-inch 4MP CMOS		
Focal length	2.8 to 12mm		
Shutter	Auto, range: 1/200 to 1/100000s		
Minimum illumination	0.0005lux (F1.4)		
FOV	Horizontal FOV: 106.4° to 50.3°, Vertical FOV: 57.1° to 27.8°, Diagonal FOV: 127.4° to 57.3°		
WDR	120 dB		
S/N	> 50 dB		
<b>Image</b>			
Image collection format	2688*1520@60,2688*1520@50,2688*1520@30 (default),2688*1520@25		
Frame rate	60, 50, 30 (default), 25, 22, 20, 18, 16, 15, 12.5, 10, 8, 6, 5, 4, 3, 2, 1		
Video compression	H.264 (default), H.265		
ROI	Supports up to 8 regions		
HLC	Support		
BLC	Support		
Defog	Digital defog		
Digital Noise Reduction	3D DNR		
Video OSD	Supports 8 overlay areas and allows contents including date, time, date&time, zoom ratio, custom contents		
Image OSD	Supports 8 overlay areas and allows contents including time, license plate number, device ID, camera ID, allowlist, image authentication ID, custom contents (3 items), location		
<b>Display Parameters</b>			
Resolution	Main stream: 2688*1520, 1080P (default), 720P, D1; Sub stream: 720P (default), D1, 2CIF, CIF; Third stream: D1 (default), 2CIF, CIF		
<b>Smart</b>			
Application scenario	≤ 30km/h for entrances and exits, ≤ 80km/h for regular roads; Supports simultaneous application to road and entry/exit scenes without switching		
Vehicle detection mode	Supports video detection		
License plate number recognition	Supports recognition of license plates with numbers and letters by default		
List configuration	Supports allowlist and blocklist configuration, each list allows 20,000 items Supports import, export, add, and delete operations		
Barrier opening policy	Open barrier only for the recognized vehicles Open barrier for all vehicles Open barrier only for vehicles on the allowlist Open barrier for vehicles not on the blocklist Configurable Boolean output ID		
Country and Region	United States, Canada, Saudi Arabia, United Arab Emirates, Qatar, Singapore, Malaysia,		



Supported	Indonesia, Vietnam, Thailand, India, Bangladesh, Cambodia, South Korea, Kyrgyzstan, Tajikistan, Kazakhstan, Uzbekistan, Turkmenistan, Egypt, Tunisia, Brazil, Argentina, Mexico, Finland, Estonia, Latvia, Lithuania, Poland, France, Spain, Portugal, Germany, United Kingdom, Ireland, Bulgaria, Romania, Hungary, Serbia, Bosnia and Herzegovina, Greece, Croatia, Italy, Netherlands, Sweden, Belgium, Austria, Norway, Denmark, Slovenia, Czechia, Slovakia, New Zealand, Australia, Philippines, Nepal, Israel, Albania, Moldova, Turkey, Switzerland, Georgia, Bahrain, Morocco		
Key Functional Parameters			
Detection Direction	Bidirectional、Top to Bottom、Bottom to Top		
Intelligent			
Vehicle Type Recognition	Car/Van/Large Bus/Medium Bus/Heavy Truck/Light Truck/SUV/MPV/Pickup/Motorcycle		
Vehicle Color Recognition	Red, Yellow, green, blue, purple, pink, brown, white, Grey, black, silver, orange		
Vehicle Manufacturer Recognition	133 Manufacturers: Audi, ALFA ROMEO, AION, ANKAI, ACURA, Aston Martin, ARCFOX, BYD, BUICK, BENTLEY, BMW, BAIC MOTOR, BUGATTI, BORGWARD, Beiben Truck, Besturn, CHANGAN, Citroën, Cadillac, CHERY, CHRYSLER, Chevrolet, CHTC, DONGFENG, DACIA, Daihatsu, DATSUN, DODGE, DS, DAEWOO, Dongnan, EXEED, FAW, Ford, FORLAND, Ferrari, FIAT, Foton, GEELY, GAC, GREAT WALL, GMC, Geometry, HONDA, HYUNDAI, HIGER, Hino, Hong Qi, Haval, Haima, INFINITI, Isuzu, IVECO, IM, JAC, JEEP, JAGUAR, JOYLONG, JMC, JETTA, JETOUR, KIA, Karry, King Long, KMULLER, LYNK&CO, LINCOLN, LEXUS, LOTUS, LANDWIND, LANDROVER, LAMBORGHINI, LIFAN, LEVC, LUXGEN, LEOPARD, LADA, LUMMA, LI AUTO, LEAPMOTOR, Mercedes-Benz, MINI, MAZDA, McLaren, MASERATI, MAN, MG, MITSUBISHI, MAXUS, MORGAN, MUSTANG, MODERN AUTO, NISSAN, NIO, OPEL, ORA, OUSHANG, PEUGEOT, PORSCHE, Polestar, QOROS, Roewe, ROLLS ROYCE, RENAULT, SINOTRUK, SXACT, SKODA, SSANGYONG, SMART, SUZUKI, SUBARU, SAAB, SCANIA, SEAT, SWM, SANY, SILVER, SKYWORTH, TOYOTA, TESLA, TANK, Volkswagen, VOLVO, VOYAH, Wuling, WEY, XCMG, Xiaopeng Motors, XINYUAN, YUTONG, ZHONGTONG, ZOTYE, ZEEKER, ZHONGHUA, ZHINUO		
Storage			
Edge storage	Supports ANR with a Micro SD card, up to 512GB		
Structure			
Illumination	Built-in integrated illumination module, including 4 warm light LEDs, 50m illumination distance, automatic on/off control	Built-in integrated illumination module, including 4 IR LEDs, 50m illumination distance, automatic on/off control	Built-in integrated illumination module, including 4 IR LEDs, 50m illumination distance, automatic on/off control
Bracket	3-axis mounting bracket		
Junction box	The camera comes with a junction box for storing tail cable		
Network			
Protocols	IGMP, IPv6, ICMP, ARP, TCP, UDP, DHCP, PPPoE, RTSP, DNS, DDNS, NTP, UPnP, HTTP, HTTPS, 802.1x, SNMP, QoS, SSL/TLS, SSH, IPv4		
Compatible Integration	ONVIF (Profile S, Profile G, Profile T), SDK, API		
Interface			
Network interface	1×10M/100M RJ45		
Serial port	2 × RS485		

Boolean output	2 relay outputs, withstand voltage: AC 125V/0.3A, DC 30V/1A
Boolean input	2 x input, supports level (up to DC 5V) and switch signal
Audio interface	1 x audio input, 1 x audio output
Storage interface	1 x Micro SD card slot
Reset button	Support
<b>Hardware Specification</b>	
Wiegand Interface	Supports Wiegand output
<b>General</b>	
Weight	1.87kg
Ingress protection	IP67, IK10
Power supply	DC12V + 25% - 25% Max. power consumption: 20W Supports PoE (802.3at, class 4)
Dimensions (L×W×H)	406mm x 126mm x 130mm
Operating environment	-40°C to 60°C, ≤90% RH
Heater	N/A
<b>Compliance</b>	
NDA Compliant	Support
<b>Certification</b>	
EMC	CE-EMC (EN 55032:2015+A11:2020+A1:2020, EN 61000-3-3:2013+A1:2019+A2:2021, EN IEC 61000-3-2:2019+A1:2021, EN 50130-4:2011+A1:2014) FCC(FCC CFR 47 part15 B, ANSI C63.4 2014)
Safety	EN IEC 62368-1:2020+A11:2020 UL (UL 62368-1, 2nd Ed., Issue Date: 2014-12-01)
Environment	CE-RoHS (2011/65/EU;(EU)2015/863);WEEE (2012/19/EU)
Protection	IP67(IEC60529:1989+AMD1:1999+AMD2:2013) IK10(IEC 62262:2002+AMD1:2021)

## Dimensions



## Accessories

<b>TR-UP06-C-IN</b> Pole Mounting Bracket for Bullet Junction Box Only	<b>TR-UP06-C-IN-V2</b> Pole Mounting Bracket for Bullet Junction Box Only
	

# Unlimited New View

## Zhejiang Uniview Technologies Co., Ltd.



<http://www.uniview.com>



[overseasbusiness@uniview.com](mailto:overseasbusiness@uniview.com); [globalsupport@uniview.com](mailto:globalsupport@uniview.com)



No. 369, Xietong Road, Xixing Sub-district, Binjiang District, Hangzhou City, 310051, Zhejiang Province, China



©2023-2025 Zhejiang Uniview Technologies Co., Ltd. All rights reserved.

\*Product specifications and availability are subject to change without notice.

Despite our best efforts, technical or typographical errors may exist in this document. Uniview cannot be held responsible for any such errors and reserves the right to change the contents of this document without prior notice.