

## Door Exit Button OEP-GM6-R



## Overview

OEP-GM6-R door exit button is a common accessory in the access control system. It is suitable for access control scenarios in finance, telecom, supermarket, hotel, government, school, airport, factory, justice etc.

## Features

- Elegant appearance.
- 86mm junction box installation, easy to install.
- 500,000 fatigue tests, reliable and durable.

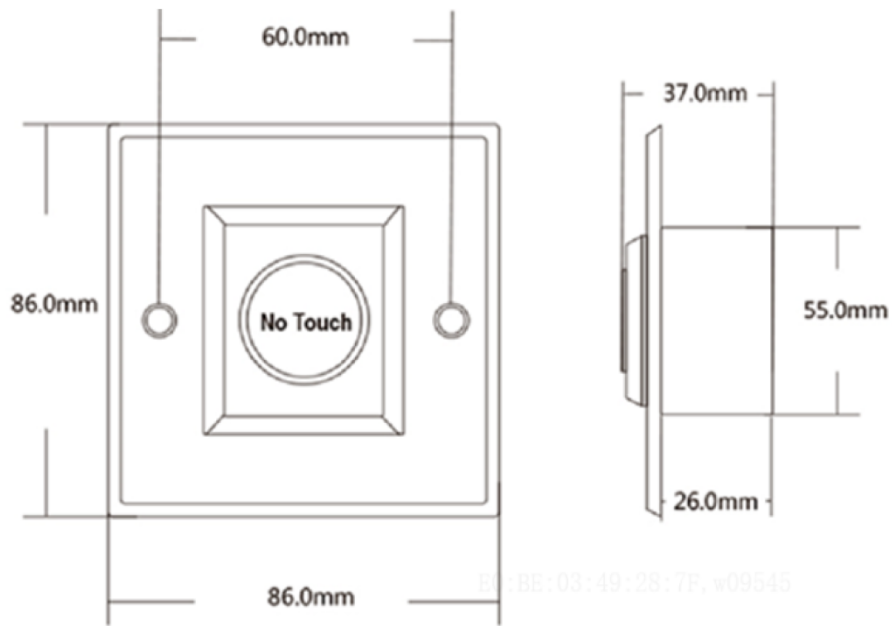
## Specifications

Model	OEP-GM6-R
Physical	
Material	Stainless steel
Hardware Specification	
Dimensions (L x W x H)	86*86*37mm
Operating Environment	Operating temperature: -30°C to +60°C Operating humidity: ≤95%
Weight	0.3kg
Attestation	CE/FCC/ROHS
Power Supply	DC12V

# Ordering Info

Product Model	Description
OEP-GM6-R	Infrared Induction Switch Button

# Dimensions



# Unlimited New View

## Zhejiang Uniview Technologies Co., Ltd.

 <http://www.uniview.com>

 [overseasbusiness@uniview.com](mailto:overseasbusiness@uniview.com); [globalsupport@uniview.com](mailto:globalsupport@uniview.com)

 No. 369, Xietong Road, Xixing Sub-district, Binjiang District, Hangzhou City, 310051, Zhejiang Province, China



©2023-2025 Zhejiang Uniview Technologies Co., Ltd. All rights reserved.

\*Product specifications and availability are subject to change without notice.

Despite our best efforts, technical or typographical errors may exist in this document. Uniview cannot be held responsible for any such errors and reserves the right to change the contents of this document without prior notice.