

2MP Fixed IR Turret Network Camera

IPC3612LB-AF28K-A2



2MP



Lighthunter



Human Body
Detection 2.0



Built-in Mic



Edge Storage

Ultra
H.265



POE



IP 67

Features

- High quality image with 2MP, 1/3.0" CMOS sensor
- 2MP (1920*1080) @30/25fps; 720P (1280*720) @30/25fps
- Support accurate Human Body Detection 2.0
- Ultra H.265, H.265, H.264
- Built in Mic
- Smart IR, up to 30m (98ft) IR distance
- Day/night functionality
- 2D/3D DNR (Digital Noise Reduction)
- Supports 512 GB Micro SD card
- DC12V or PoE (IEEE 802.3af) power supply
- IP67 protection
- 3 Axis

Specifications

Model	IPC3612LB-AF28K-A2
Camera	
Max Resolution	2 MP
Sensor	1/3.0" CMOS
Min. Illumination	Colour:0.01 lux (F2.0, AGC ON) 0 lux with IR on
Day/Night	IR-cut filter with auto switch (ICR)
Shutter	Auto/Manual, 1 ~ 1/100000s
Adjustment Angle	Pan: 0° ~ 360°, Tilt: 0° ~ 80°, Rotate: 0° ~ 360°
S/N	>52 dB
WDR	DWDR
Lens	
Focal Length	2.8 mm
Iris Type	Fixed
Iris	F2.0
Field of View (H)	99.5°
Field of View (V)	56.5°
Field of View (D)	114.4°
Lens Type	Fixed
DORI	
DORI Distance (Lens)	2.8 mm
DORI Distance (Detect)	46.7m (153.1ft)
DORI Distance (Observe)	18.7m (61.2ft)
DORI Distance (Recognize)	9.3m (30.6ft)
DORI Distance (Identify)	4.7m (15.3ft)
Illuminator	
Supplemental Light	IR
Illumination Distance (IR)	30 m (98.4 ft)
Wavelength	850 nm

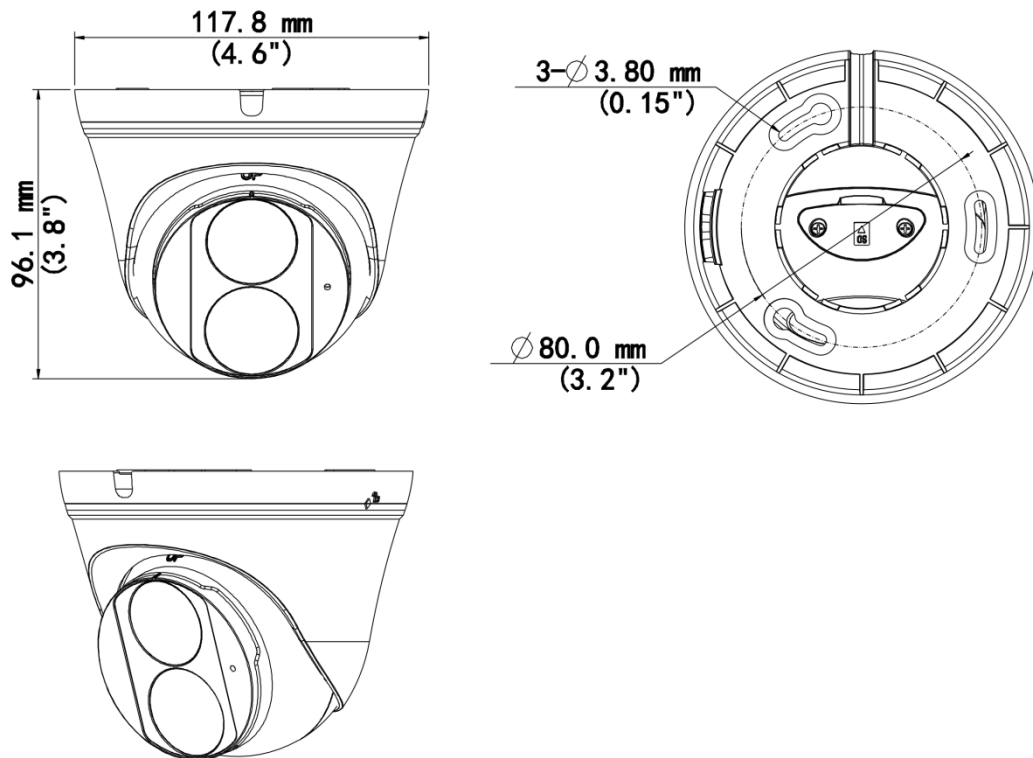
IR On/Off Control	Auto/Manual
Video	
Video Compression	Ultra 265, H.265, H.264
H.264 Code Profile	Baseline profile, Main profile, High profile
Frame Rate	Main Stream: 2MP (1920*1080), Max 30fps; 720P (1280*720), Max 30fps Sub Stream: 640*360, Max 30fps; 2CIF (704*288), Max 30fps; CIF (352*288), Max 30fps
Video Bit Rate	128 Kbps to 6144 Kbps
U-code	Support
OSD	Up to 4 OSDs
Privacy Mask	Up to 4 areas
ROI	Support
Video Stream	Dual Streams
Image	
White Balance	Auto, Outdoor, Fine Tune, Sodium Lamp, Locked, Auto2, Area White Balance
Digital Noise Reduction	2D/3D DNR
Smart IR	Support
Flip	Normal, Flip Vertical, Flip Horizontal, 180°
Dewarping	N/A
HLC	Support
BLC	Support
Defog	Digital Defog
Image Stabilization	N/A
Events	
Basic Detection	Human Body Detection 2.0, Motion Detection, Audio Detection
General Function	Watermark, IP Address Filtering, Access Policy, ARP Protection, RTSP Authentication, User Authentication, HTTP Authentication
Audio	
Audio Compression	G.711U, G.711A
Audio Bitrate	64 Kbps
Two-way Audio	N/A
Suppression	Support

Sampling Rate	8 kHz
Storage	
Edge Storage	Micro SD, up to 512 GB
Network	
Protocols	IPv4, IGMP, ICMP, ARP, TCP, UDP, DHCP, RTP, RTSP, RTCP, RTMP, DNS, DDNS, NTP, UPnP, HTTP, HTTPS, QoS, SSL/TLS
Compatible Integration	ONVIF (Profile S, Profile T), API, SDK
User/Host	Up to 32 users, 2 user levels: administrator and common user
Security	Password Protection, Strong Password, HTTPS Encryption, Export Operation Logs, Basic and Digest Authentication for RTSP, Digest Authentication for HTTP, TLS 1.2, WSSE and Digest Authentication for ONVIF
Client	UNV-Link, UNV-Link Pro, EZStation
Web Browser	Plug-in free live view: Chrome 57+, Firefox 58+, Edge 16+, Plug-in required live view: IE 10+, Chrome 45+, Firefox 52+, Edge 79+
Interface	
Audio I/O	N/A
Alarm I/O	N/A
Serial Port	N/A
Built-in Mic	Support
Built-in Speaker	N/A
WIFI	N/A
Network	1 × RJ45 10 M/100 M Base-TX Ethernet
Video Output	N/A
Certification	
EMC	CE-EMC (EN 55032, EN 61000-3-3, EN IEC 61000-3-2, EN 55035) FCC (FCC 47 CFR part15 B)
Safety	CE LVD (EN 62368-1)
Environment	CE-RoHS (2011/65/EU; (EU) 2015/863) ; WEEE (2012/19/EU)
Protection	IP67 (IEC 60529)
General	

Power	DC 12V±25%, PoE (IEEE 802.3af)
Power Consumption	Max 3.9 W
Power Interface	Ø5.5 mm coaxial power plug
Dimensions	Ø118 x 95mm (Ø4.6" x 3.8") (Ø x H)
Weight	0.25 kg (0.55 lb)
Material	Metal + Plastic
Working Environment	-30 °C to 60 °C (-22 °F to 140 °F), Humidity: ≤ 95% RH (non-condensing)
Storage Environment	-30 °C to 60 °C (-22 °F to 140 °F), Humidity: ≤ 95% RH (non-condensing)
Surge Protection	4 KV
Reset Button	N/A
Web Client Language	4 Languages: English, Russian, Spanish, Vietnamese

Dimensions

Aggregate product size diagram using "main model" as an example



Accessories

TR-JB03-I-IN

Junction Box for Plastic Turret Camera
(Support wiring from behind)



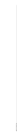
TR-CM24-IN

Dome Pendant Mounting Bracket(Indoor)



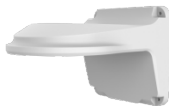
TR-SE24-A-IN

Dome Pendant Mounting Pole 500mm



TR-WM03-D-IN

Wall Mounting Bracket for 32 Fix-dome&Mini Fix-dome&Plastic Turret Camera



TR-JB07/WM03-G-IN

Wall Mounting Assembling Bracket For 32 Fix-dome&Mini Fix-dome&Plastic Turret Camera



TR-A01-IN

NPT 3/4" Waterproof Cable Gland



TR-UP06-IN

Universal Pole Mounting Bracket



TR-UC08-C

Bullet&Dome Corner Mounting Bracket



TR-SE24-IN

Dome Pendant Mounting Pole 200mm



Zhejiang Uniview Technologies Co., Ltd.

No. 369, Xietong Road, Xixing Sub-district, Binjiang District, Hangzhou City, 310051, Zhejiang Province, China (Zhejiang) Pilot Free Trade Zone, China

Email: overseasbusiness@uniview.com; globalsupport@uniview.com

<http://www.uniview.com>

©2025 Zhejiang Uniview Technologies Co., Ltd. All rights reserved.

*Product specifications and availability are subject to change without notice.

*Despite our best efforts, technical or typographical errors may exist in this document. Uniview cannot be held responsible for any such errors and reserves the right to change the contents of this document without prior notice.