

4MP WDR LightHunter IR Network Dome Camera

IPC3234SA-AHDZK-PI-I1



Features

- High quality image with 4MP, 1/2.8" CMOS sensor
- 2688*1520@60fps in the main stream, deliver detailed live while 60fps keeping it smooth and closer to the real image
- Motorized lens with P-iris, support accurate control of exposure
- Ultra 265, H.265, H.264, MJPEG
- Smart intrusion prevention, support false alarm filtering, include Cross Line, Intrusion, Enter Area, Leave Area detection
- People Counting, support people flow counting and crowd density monitoring, suitable for different statistical scenarios
- LightHunter technology ensures ultra-high image quality in low-light environment
- Up to 130 dB optical WDR (Wide Dynamic Range)
- DC12V or PoE (IEEE 802.3af) power supply
- Audio 1 in and 1 out, Alarm 1 in and 1 out
- IP67, IK10
- *Intelligent function supported when frame rate is below 30fps

Specifications

| | |
|----------------------------|--|
| Model | IPC3234SA-AHDZK-PI-I1 |
| Camera | |
| Max Resolution | 4 MP |
| Sensor | 1/2.8" CMOS |
| Min. Illumination | Colour: 0.003 lux (F1.6, AGC ON) 0 lux with IR |
| Day/Night | IR-cut filter with auto switch (ICR) |
| Shutter | Auto/Manual, 1 to 1/100000 s |
| WDR | 130 dB |
| Adjustment Angle | Pan: 0° to 355° tilt: 0° to 70° rotate: 0° to 355° |
| S/N | >56 dB |
| Lens | |
| Focal Length | 2.7 to 13.5 mm |
| Optical Zoom | 5X |
| Iris | F1.6 |
| Field of View (H) | 98.7° ~ 31° |
| Field of View (V) | 52.6° ~ 18° |
| Field of View (D) | 116.5° ~ 35.8° |
| Iris Type | P-iris |
| DORI | |
| DORI Distance (Lens) | 2.7 ~ 13.5 (mm) |
| DORI Distance (Detect) | 74.3m (243.6ft) ~ 229.5 m (753.0ft) |
| DORI Distance (Observe) | 29.7m (97.4ft) ~ 91.8m (301.2ft) |
| DORI Distance (Recognize) | 14.9m (48.7ft) ~ 45.9m (150.6ft) |
| DORI Distance (Identify) | 7.4m (24.4ft) ~ 23.0m (75.3ft) |
| Illuminator | |
| Illumination Distance (IR) | 40 m (131.2 ft) |
| IR On/Off Control | Auto/Manual |

Video

| | |
|-------------------------|--------------------------------------|
| Frame Rate-Main Stream | 4MP (2688*1520), Max 60fps |
| Video Compression | Ultra 265, H.265, H.264, MJPEG |
| Frame Rate-Sub Stream | 2MP (1920*1080), Max 60fps |
| Video Bit Rate | 128 Kbps to 16 Mbps |
| U-code | Support |
| ROI | Up to 8 areas |
| Privacy Mask | Up to 8 areas (8 blacks / 8 mosaics) |
| Video Stream | Triple Streams |
| OSD | Up to 10 OSDs |
| Frame Rate-Third Stream | D1 (720*576), Max 60fps |

Image

| | |
|-------------------------|---|
| White Balance | Auto, Outdoor, Fine Tune, Sodium Lamp, Locked, Auto2 |
| Digital Noise Reduction | 2D/3D DNR |
| Flip | Flip Vertical, Flip Horizontal, Normal, 180°, 90° Clockwise, 90° Anti-clockwise |
| HLC | Support |
| BLC | Support |
| Defog | Digital Defog |

Intelligent

| | |
|----------------------------|--|
| People Counting | Support People Flow Counting and Crowd Density Monitoring |
| Smart Intrusion Prevention | Cross line detection, intrusion detection, enter area detection, leave area detection (support false alarm filtering and the classification of human, non-motor vehicle and vehicle) |

Events

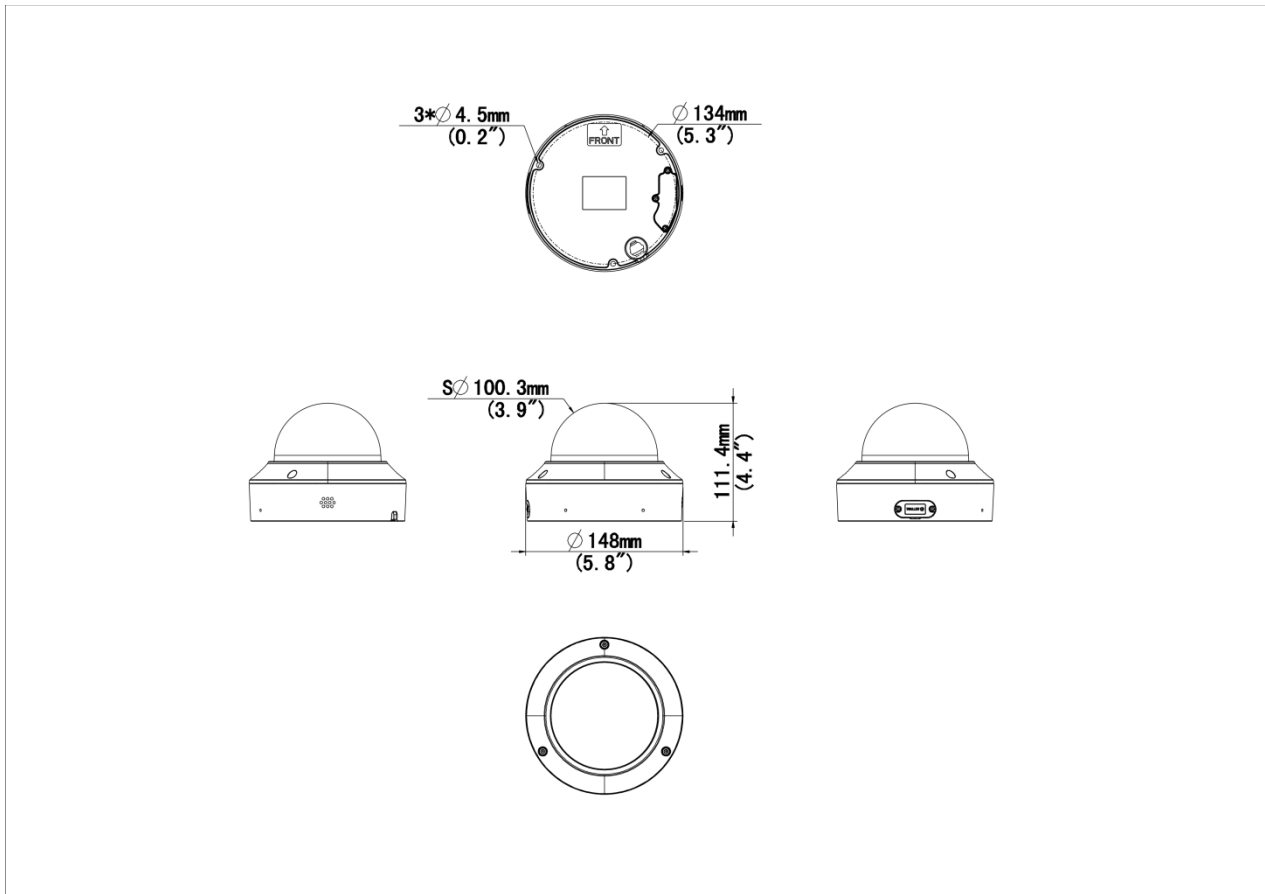
| | |
|------------------|--|
| Basic Detection | Motion Detection, Audio Detection, Tampering Alarm, Ultra Motion Detection |
| General Function | Watermark, IP Address Filtering, Access Policy, ARP Protection, RTSP Authentication, User Authentication, HTTP Authentication, Alarm Input, Alarm Output |

Audio

| | |
|------------------------|--|
| Audio Compression | G.711U, G.711A |
| Audio Bitrate | 128 Kbps |
| Two-way Audio | Support |
| Suppression | Support |
| Sampling Rate | 16KHZ |
| Storage | |
| Edge Storage | Micro SD, up to 512 GB |
| Network Storage | ANR, NAS (NFS) |
| Network | |
| Protocols | SSH, IGMP, RTP, RTCP, SMTP, IPv4, IPv6, ICMP, ARP, TCP, UDP, DHCP, PPPoE, RTSP, RTMP, DNS, DDNS, NTP, FTP, UPnP, HTTP, HTTPS, 802.1x, SNMP, QoS, SSL/TLS |
| Compatible Integration | ONVIF (Profile S, Profile G, Profile T, Profile M), API, SDK |
| User/Host | Up to 32 users. 3 user levels: administrator, common user and operator |
| Security | TLS1.3, Password Protection, Strong Password, HTTPS Encryption, Export Operation Logs, Basic and Digest Authentication for RTSP, Digest Authentication for HTTP, TLS 1.2, WSSE and Digest Authentication for ONVIF |
| Client | UNV-Link, UNV-Link Pro, EZStation |
| Web Browser | Plug-in required live view: IE 10+, Chrome 45+, Firefox 52+, Edge 79+ |
| Interface | |
| Audio I/O | 1 Input: impedance 1 k Ω , amplitude 2.5 V [p-p], 1 Output: impedance 600 Ω , amplitude 2.5 V [p-p] |
| Alarm I/O | 1/1 |
| Serial Port | 1 channel RS485 interface |
| Built-in Mic | Built-in two mics |
| Built-in Speaker | N/A |
| Network | 1 \times RJ45 10 M/100 M Base-TX Ethernet |
| Certification | |

| | |
|---------------------|--|
| EMC | CE-EMC (EN 55032, EN 61000-3-3, EN IEC 61000-3-2, EN 50130) FCC-SDoC (47 CFR Part15, Subpart B) |
| Safety | CE LVD (EN IEC 62368-1) UL (UL 62368-1) |
| Environment | CE-RoHS (2011/65/EU;(EU)2015/863); WEEE (2012/19/EU) |
| Protection | IP67 (IEC 60529) IK10 (IEC 62262) |
| General | |
| Power | DC12V (±25%) , PoE (IEEE 802.3af) |
| Power Consumption | Max 8W |
| Power Interface | Ø5.5 mm coaxial power plug |
| Dimensions | Ø 148 x 111.4 mm (Ø 5.8" x 4.4") (Ø x H) |
| Weight | 0.95kg (2.09lb) |
| Working Environment | -30 °C to 60 °C (-22 °F to 140 °F), Humidity: ≤ 95% RH (non-condensing) |
| Storage Environment | -40 °C to 70 °C (-40 °F to 158 °F), Humidity: ≤ 95% RH (non-condensing) |
| Surge Protection | 6 KV |
| Reset Button | Support |

Dimensions



Accessories

TR-JB04-C-IN

Junction Box for 323 Series Fix-dome(Support wiring from behind)



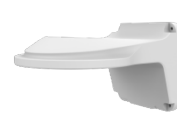
TR-JB07/WM04-B-IN

4 Inch Back Hole Hemisphere Wall Mounting Assembling Bracket



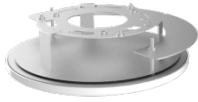
TR-WM04-IN

4 Inch Hemisphere Wall Mounting Bracket



TR-FM152-A-IN

In-ceiling Bracket for 323 Series Fix-dome



TR-SM04-IN

Switch Box Adapter for 323 Series Fix-dome



TR-A01-IN

NPT 3/4" Waterproof Cable Gland



TR-UP06-IN

Universal Pole Mounting Bracket



TR-UC08-C

Bullet&Dome Corner Mounting Bracket



Zhejiang Uniview Technologies Co., Ltd.

No. 369, Xietong Road, Xixing Sub-district, Binjiang District, Hangzhou City, 310051, Zhejiang Province, China (Zhejiang) Pilot Free Trade Zone, China

Email: overseasbusiness@uniview.com; globalsupport@uniview.com

<http://www.uniview.com>

©2024 Zhejiang Uniview Technologies Co., Ltd. All rights reserved.

*Product specifications and availability are subject to change without notice.

*Despite our best efforts, technical or typographical errors may exist in this document. Uniview cannot be held responsible for any such errors and reserves the right to change the contents of this document without prior notice.