

10 Degrees Warm Light Strobe Lamp

LAMP-S16@A10-T30-OS



Features

- Elegant appearance, integrated structure design, safety and convenient.
- Uses high-power LED warm light chip, warm and soft light source, glare-free, avoiding light pollution.
- Supports synchronous video illumination.
- Uniform illumination delivers clear image, no smearing or overexposure.
- Pulse signal self-test, no need for setup, automatic high-frequency illumination based on the digital pulse signal of the camera unit.
- Wide voltage allows AC 176V to 264V mains power supply.
- All-weather operation, applicable to harsh environments.
- IP67 protection level, waterproof and dustproof.

Specifications

Model	LAMP-S16@A10-T30-OS
White light flash	
Color temperature	3000K
White light flash lifetime	>50000h@25°C
硬件参数	
Strobe luminous flux	1400lm@20% duty cycle
Illumination angle	10°
Trigger level	4V to 6V (active high)
Trigger duty ratio	1% to 40%
Response time	≤370μs
Interface	1 power input, 1 strobe trigger input

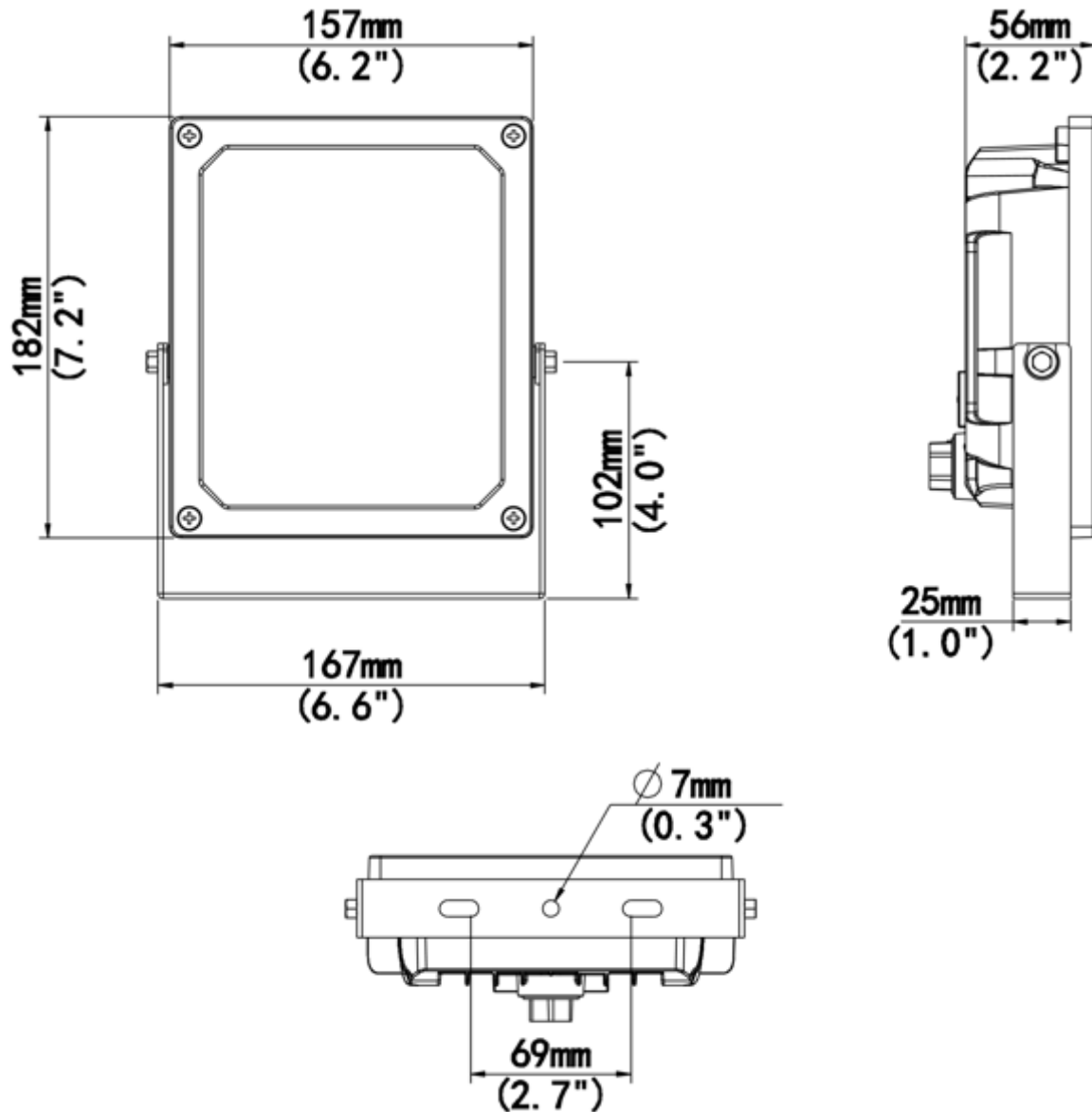
LED strobe

Trigger mode	TTL level/switch
Trigger frequency	40Hz to 200Hz
Power consumption	30W

Be in common use

Bracket rotation angle	-90° to +90°
Power supply	AC176V to 264V, 50/60Hz
Weight	1.4kg
Dimensions (L × W × H)	182mm x 157mm x 71.4mm (without universal bracket)
Ingress protection	IP65

Dimensions



Accessories

TR-UP0627

Universal Pole Mounting Bracket(Elegant White,Diameter100-300mm,Domestic Version),Universal Type



Ordering Info

Product Model	Config	Description
LAMP-S16	A10-T30-OS	10 Degrees Warm Light Strobe Lamp

Zhejiang Uniview Technologies Co., Ltd.

No. 369, Xietong Road, Xixing Sub-district, Binjiang District, Hangzhou City, 310051, Zhejiang Province, China (Zhejiang) Pilot Free Trade Zone, China

Email: overseasbusiness@uniview.com; globalsupport@uniview.com

<http://www.uniview.com>

©2023-2025 Zhejiang Uniview Technologies Co., Ltd. All rights reserved.

*Product specifications and availability are subject to change without notice.

*Despite our best efforts, technical or typographical errors may exist in this document. Uniview cannot be held responsible for any such errors and reserves the right to change the contents of this document without prior notice.