

8MP LightHunter WDR Network Bullet Camera

IPC268EA



Features

- High quality image with 8 MP, 1/1.8" CMOS sensor
- 3840*2160@60fps in the main stream, offering smoother live video and more details
- Ultra 265, H.265, H.264, MJPEG
- -ISP technology, comprehensive improvement in image quality
- Metadata analyse, support human body, , motor vehicle and non-motor vehicle image capture and attribute collection, realize data visualization management, allow users to get target information for further data analysis
- face detection, support front-end face detection comparison, support blocklist and allowlist comparison, increases the concurrent detection number up to 120
- Smart intrusion prevention, support false alarm filtering, include Cross Line, Intrusion, Enter Area, Leave Area detection
- People Counting, support people flow counting and crowd density monitoring, suitable for different statistical scenarios
- LightHunter technology ensures ultra-high image quality in low illumination environment
- Up to 140 dB Optical WDR (Wide Dynamic Range)

- DC12V or PoE (IEEE 802.3at) power supply
- Wide voltage range of $\pm 25\%$ in DC

Specifications

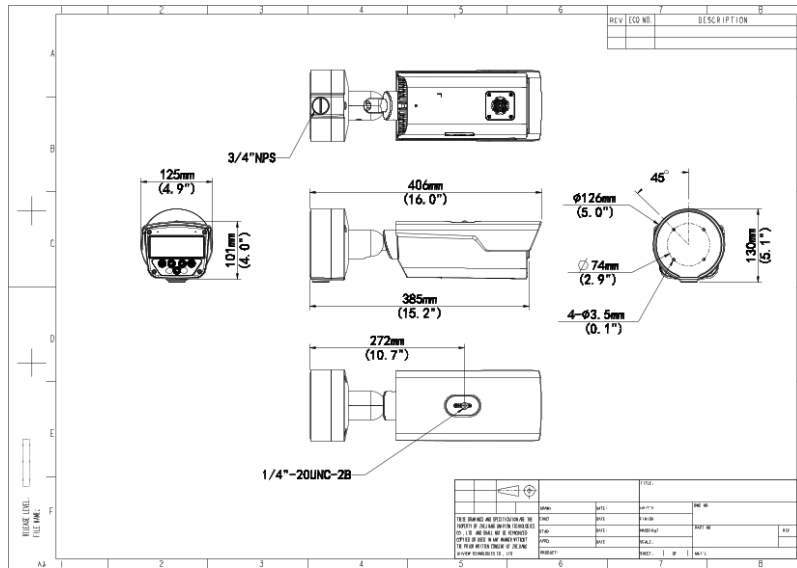
Camera	Description
Sensor	1/1.8" CMOS
Min. Illumination	IPC268EA-AHDZK-I1:Colour:0.001 lux (F1.2, AGC ON) B/W:0.0005 lux (F1.2, AGC ON) 0 lux with IR IPC268EA-AHDX4K-I1:Colour:0.003 lux (F1.6, AGC ON) B/W:0.002 lux (F1.6, AGC ON) 0 lux with IR
Day/Night	IR-cut filter with auto switch (ICR)
Shutter	Auto/Manual, 1 ~ 1/100000s
WDR	140dB
S/N	>56dB
Lens	Description
Focal Length	IPC268EA-AHDZK-I1:2.8 ~ 12 mm IPC268EA-AHDX4K-I1:8 ~ 32 mm
Optical Zoom	4X
Iris	IPC268EA-AHDZK-I1:F1.2 IPC268EA-AHDX4K-I1:F1.6
Iris Type	P-iris
DORI	Description
DORI Distance (Detect)	IPC268EA-AHDZK-I1:108.0m(354.3ft)~180.0m(590.6ft) IPC268EA-AHDX4K-I1:240.3m(788.4ft)~644.4m(2114.2ft)
DORI Distance (Observe)	IPC268EA-AHDZK-I1:43.2m(141.7ft)~72.0m(236.2ft) IPC268EA-AHDX4K-I1:96.1m(315.4ft)~257.8m(845.7ft)
DORI Distance (Recognize)	IPC268EA-AHDZK-I1:21.6m(70.9ft)~36.0m(118.1ft) IPC268EA-AHDX4K-I1:48.1m(157.7ft)~128.9m(422.8ft)
DORI Distance (Identify)	IPC268EA-AHDZK-I1:10.8m(35.4ft)~18.0m(59.1ft) IPC268EA-AHDX4K-I1:24.0m(78.8ft)~64.4m(211.4ft)

Illuminator	Description
Illumination Distance (IR)	IPC268EA-AHDZK-I1:60 m (196.9 ft) IPC268EA-AHDX4K-I1:120 m (393.7 ft)
IR On/Off Control	Auto/Manual
Wavelength	850 nm
Video	Description
Frame Rate-Main Stream	8MP(3840*2160), Max 60fps
Frame Rate-Sub Stream	2MP(1920*1080), Max 60fps
Video Compression	Ultra 265; H.265; H.264; MJPEG
Privacy Mask	Up to 8 areas (8 blacks / 8 mosaics)
Video Bit Rate	128 Kbps ~ 16 Mbps
Frame Rate-Third Stream	D1 (720*576), Max 60fps
ROI	Support
Video Stream	Triple Streams
OSD	Up to 10 OSDs
Intelligent	Description
Metadata Analyse	Support human body, , motor vehicle and non-motor vehicle image capture and attribute collection
Recognition	face detection: Max support 16 face libraries; Max supports 100000 faces in face library
People Counting	Support People Flow Counting and Crowd Density Monitoring
Exception Detection	IPC268EA-AHDZK-I1:Object Removed,Object Left Behind; Scene Change; Defocus Detection IPC268EA-AHDX4K-I1:Object Removed,Object Left Behind
Smart Intrusion Prevention	Cross line detection, Intrusion detection, Enter area detection, Leave area detection (support false alarm filtering and the classification of human, non-motor vehicle and vehicle)
Image	Description
White Balance	Auto&Outdoor&Fine Tune&Sodium Lamp&Locked&Auto2
Digital Noise Reduction	2D/3D DNR
Smart IR	Support
Flip	Normal&Flip Vertical&Flip Horizontal&180°&90°Clockwise&90°Anti-clockwise
HLC	Support
Defog	Digital Defog

Events	Description
Basic Detection	IPC268EA-AHDZK-I1:Motion Detection; Tampering Alarm; Audio Detection; Object Removed; Object Left Behind; Scene Change; Defocus Detection IPC268EA-AHDX4K-I1:Motion Detection; Tampering Alarm; Audio Detection; Object Removed; Object Left Behind
General Function	Watermark&IP Address Filtering&Access Policy&ARP Protection&RTSP Authentication&User Authentication&HTTP authentication&Alarm input&Alarm output
Audio	Description
Audio Compression	G.711U&G.711A
Audio Bitrate	128 Kbps
Two-way Audio	Support
Suppression	Support
Sampling Rate	16KHZ
Storage	Description
Edge Storage	Micro SD, up to 512 GB
Network Storage	ANR; NAS (NFS)
Network	Description
Protocols	IGMP, RTP, SMTP, IPv4, IPv6, ICMP, ARP, TCP, UDP, DHCP, PPPoE, RTSP, RTCP, RTMP, DNS, DDNS, NTP, FTP, UPnP, HTTP, HTTPS, 802.1x, SNMP, QoS, SSL/TLS, SSH, TLS1.3
Compatible Integration	ONVIF (Profile S, Profile G, Profile T, Profile M); API; SDK
User/Host	Up to 32 users. 3 user levels: administrator, common user and operator
Security	Password Protection; Strong Password; HTTPS Encryption; Export Operation Logs; Basic and Digest Authentication for RTSP; Digest Authentication for HTTP; TLS 1.2; WSSE and Digest Authentication for ONVIF; TLS1.3
Client	EZStation; UNV-Link; UNV-Link Pro
Web Browser	Plug-in required live view: IE 10 and above, Chrome 45 and above, Firefox 52 and above, Edge 79 and above&Plug-in free live view: Chrome 57.0 and above, Firefox 58.0 and above, Edge 16 and above
Interface	Description
Audio I/O	2 Input: impedance 1k Ω ; amplitude 2.5V [p-p]; 1 Output: impedance 600 Ω ; amplitude 2.5V [p-p]
Alarm I/O	3/2

Serial Port	1 channel RS485 interface
Built-in Mic	Support, built-in mic*2
Built-in Speaker	Support
Network	1 * RJ45 10M/100M/1000M Base-TX Ethernet
Certification	Description
EMC	CE-EMC (EN 55032: 2015+A1:2020,EN 61000-3-3: 2013+A1: 2019,EN IEC 61000-3-2: 2019+A1: 2021,EN 55035: 2017+A11:2020) FCC (FCC CFR 47 part15 B, ANSI C63.4-2014)
Safety	CE LVD (EN 62368-1:2014+A11:2017) UL (UL 62368-1, 3rd Ed., 2021-10-22)
Environment	CE-RoHS (2011/65/EU;(EU)2015/863); WEEE (2012/19/EU); Reach (Regulation (EC) No 1907/2006)
Protection	IP67 (IEC 60529:1989+AMD1:1999+AMD2:2013) IK10 (IEC 62262:2002)
General	Description
Power	DC12V(±25%) , PoE+ (IEEE 802.3at)
Power Consumption	IPC268EA-AHDZK-I1:Max 16W IPC268EA-AHDX4K-I1:Max 19W
Heater	Support
Power Interface	Ø 5.5 mm coaxial power plug
Dimensions	406 x 126 x 130 mm (16.0" x 5.0" x 5.1") (L x W x H)
Weight	1.92kg(4.23lb)
Working Environment	-40 °C ~ 60 °C (-40 °F ~ 140 °F), Humidity: ≤95% RH (non-condensing)
Surge Protection	6KV

Dimensions



Zhejiang Uniview Technologies Co., Ltd.

No. 369, Xietong Road, Xixing Sub-district, Binjiang District, Hangzhou City, 310051, Zhejiang Province, China

Email: overseasbusiness@uniview.com; globalsupport@uniview.com

<http://www.uniview.com>

©2024 Zhejiang Uniview Technologies Co., Ltd. All rights reserved.

*Product specifications and availability are subject to change without notice.

*Despite our best efforts, technical or typographical errors may exist in this document. Uniview cannot be held responsible for any such errors and reserves the right to change the contents of this document without prior notice.