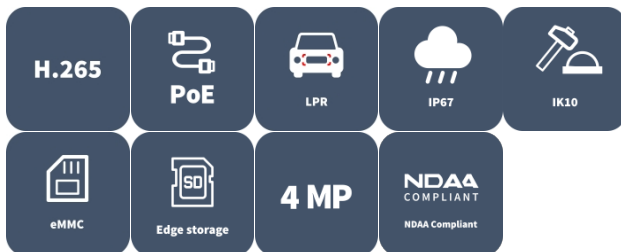


## 4MP Outdoor Parking Space Detection Camera PKC1540-Z28-P



### Features

- Built on a 4-megapixel CMOS image sensor and equipped with a 2.8–12 mm varifocal lens, this camera employs deep learning-based intelligent algorithms to support both parking space detection and license plate recognition (LPR) .
- In Parking Space Detection Mode, it can monitor up to 50 parking spaces, classify large and small vehicles, and detect illegal parking and traffic congestion.
- In License Plate Recognition Mode, it simultaneously supports LPR for up to 4 parking spaces, and includes cross-parking violation alerts (detecting vehicles occupying multiple spaces) .
- Ideal for large-scale parking facilities, the camera enables real-time monitoring of parking occupancy and facilitates efficient parking guidance.

## Specifications

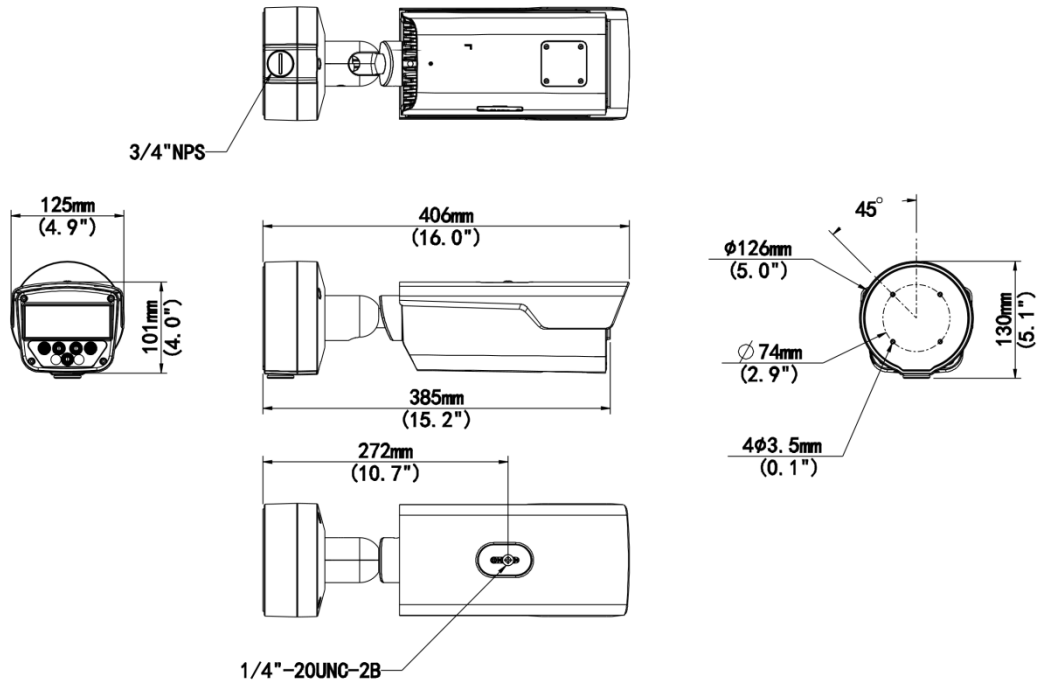
Model	PKC1540-Z28-P
<b>Camera</b>	
Sensor	1/1.8" 4MP CMOS
Focal length	2.8mm ~ 12mm
Shutter	1/100000 to 1/30s
Lens type	Zoom lens
Iris	F1.4 ~ F2.15
<b>Display Parameters</b>	
Resolution	Main stream: 2688*1520, 1080P, 720P, D1 Sub stream: 1080P, 720P, D1, 2CIF, CIF
<b>Image</b>	
Frame rate	30, 25, 22, 20, 18, 16, 15, 12.5, 10, 8, 6, 5, 4, 3, 2, 1
Video compression	H.264 (default), H.265
ROI	Support, up to 8 areas
Video OSD	Supports custom OSD on live view and image
Image OSD	Supports custom OSD on live view and image
<b>Smart</b>	
Application scenario	Parking Space Statistics Mode: Parking space counting, Illegal vehicle parking detection, Vehicle congestion detection License Plate Recognition Mode: License plate recognition, Parking space occupancy/vacancy detection, Cross-parking violation alert
Parking space detection	Parking Space Statistics Mode: Supports detection of up to 50 parking spaces. License Plate Recognition Mode: Supports license plate recognition for up to 4 parking spaces.
<b>Interface</b>	
Network interface	1 × 100M/10M adaptive Ethernet copper port
Serial port	2 × RS485
Boolean output	2 × alarm output
Boolean input	2 × alarm input
Audio interface	1 × Line Input, 1 × Line Output
<b>Structure</b>	
Mount method	Rear-mounted tri-axis installation with standard concealed wiring box.
Fill Light	4 white LED fill lights
<b>General</b>	
Power supply	DC 12V ±25%, PoE (802.3at)
Weight	1.87KG
Ingress protection	IP67
Dimensions (L×W×H)	406*125*130mm
Operating environment	-30°C ~ 60°C; ≤90% RH

Compliance

NDA Compliant

Support

# Dimensions



# Unlimited New View

## Zhejiang Uniview Technologies Co., Ltd.



<http://www.uniview.com>



[overseasbusiness@uniview.com](mailto:overseasbusiness@uniview.com); [globalsupport@uniview.com](mailto:globalsupport@uniview.com)



No. 369, Xietong Road, Xixing Sub-district, Binjiang District, Hangzhou City, 310051, Zhejiang Province, China



©2023-2025 Zhejiang Uniview Technologies Co., Ltd. All rights reserved.

\*Product specifications and availability are subject to change without notice.

Despite our best efforts, technical or typographical errors may exist in this document. Uniview cannot be held responsible for any such errors and reserves the right to change the contents of this document without prior notice.