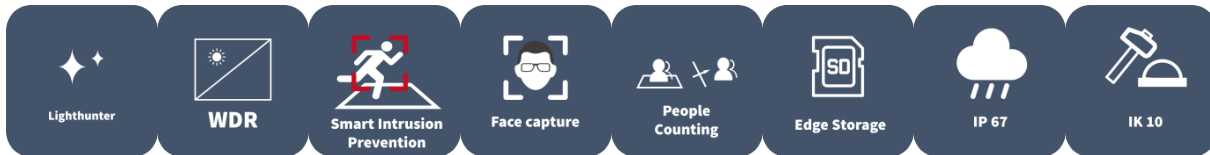


# 4MP Lighthunter WDR IR Network Dome Camera

IPC3634SE-ADZK-I0



## Features

- High quality image with 4MP, 1/1.8" CMOS sensor
- 2688\*1520@30fps in the main stream
- Ultra 265, H.265, H.264, MJPEG
- Smart intrusion prevention, support false alarm filtering, include Cross Line, Intrusion, Enter Area, Leave Area detection
- People Counting, support people flow counting and crowd density monitoring, suitable for different statistical scenarios
- LightHunter technology ensures ultra-high image quality in low illumination environment
- Up to 120 dB Optical WDR (Wide Dynamic Range)
- DC12V or PoE (IEEE 802.3af) power supply
- Wide voltage range of  $\pm 25\%$  in DC
- Audio 1 in and 1 out, Alarm 2 in and 1 out
- Micro SD, up to 512GB

## Specifications

|       |                   |
|-------|-------------------|
| Model | IPC3634SE-ADZK-I0 |
|-------|-------------------|

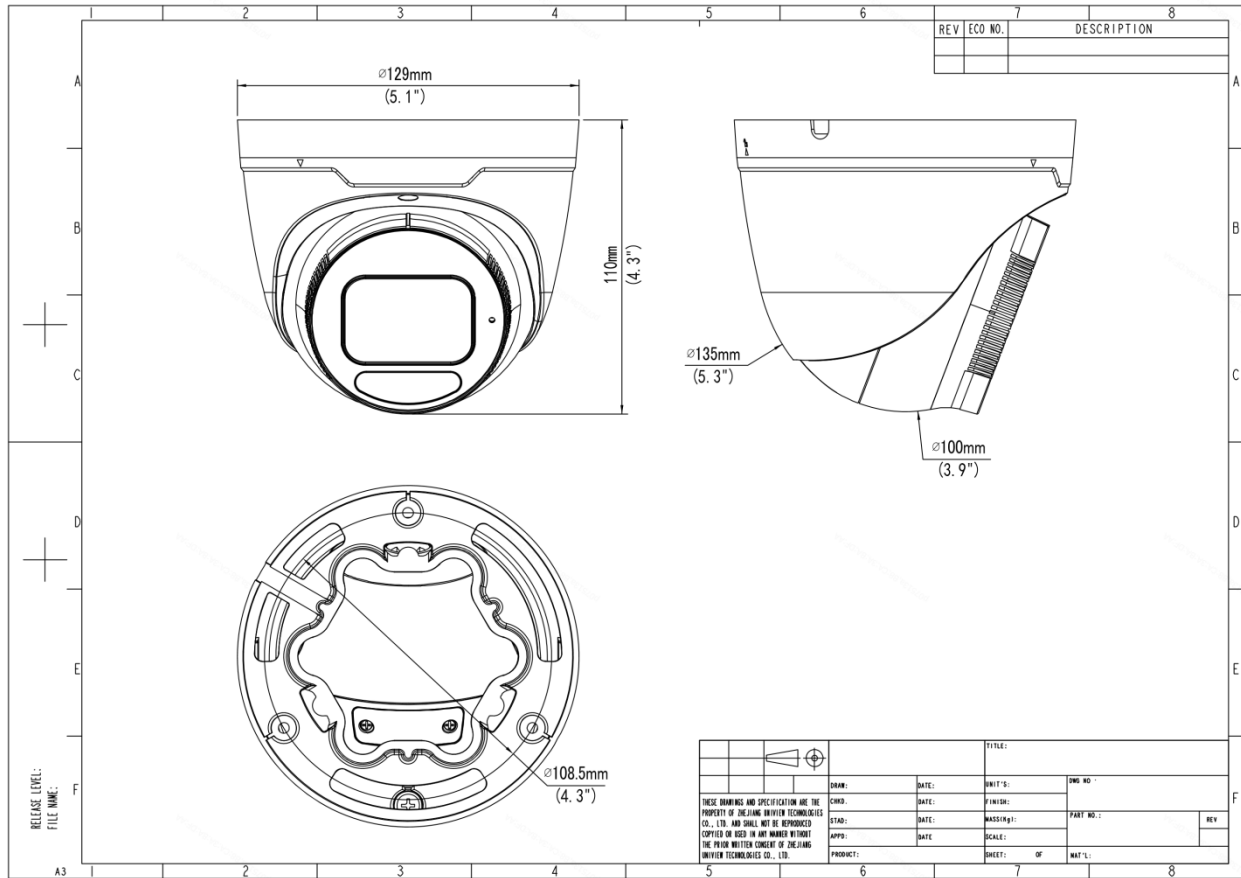
| Camera                     |  |
|----------------------------|--|
| Sensor                     | 1/1.8" CMOS  |
| Min. Illumination          | Colour:0.0005 lux (F1.2, AGC ON)<br>0 lux with IR    |
| Day/Night                  | IR-cut filter with auto switch (ICR)                 |
| Shutter                    | Auto/Manual, 1 to 1/100000 s                         |
| WDR                        | 120 dB   |
| Adjustment Angle           | Pan: 0° to 360°, tilt: 0° to 75°, rotate: 0° to 360° |
| S/N                        | >56 dB   |
| Lens                       |  |
| Focal Length               | 2.8 to 12 mm   |
| Digital Zoom               | 16X  |
| Optical Zoom               | 5X   |
| Iris                       | F1.2   |
| Field of View (H)          | 113.7°~42.6°   |
| Field of View (V)          | 59.0°~24.1°  |
| Field of View (D)          | 139.9°~52.4°   |
| Iris Type                  | Fixed  |
| DORI                       |  |
| DORI Distance (Lens)       | 2.8~12(mm)   |
| DORI Distance (Detect)     | 68.0m(223.0ft)~166.2m(545.2ft)                       |
| DORI Distance (Observe)    | 27.2m(89.2ft)~66.5m(218.1ft)                         |
| DORI Distance (Recognize)  | 13.6m(44.6ft)~33.2m(109.0ft)                         |
| DORI Distance (Identify)   | 6.8m(22.3ft)~16.6m(54.5ft)                           |
| Illuminator                |  |
| Illumination Distance (IR) | 40 m (131.2 ft)                                      |
| Wavelength                 | 850 nm   |
| IR On/Off Control          | Auto/Manual  |
| Video                      |  |
| Video Compression          | Ultra 265, H.265, H.264, MJPEG                       |
| Frame Rate-Main Stream     | 4MP (2688*1520), Max 30fps                           |

|                            |  |
|----------------------------|--|
| Video Bit Rate             | 128 Kbps to 16 Mbps  |
| U-code                     | Support  |
| Frame Rate-Sub Stream      | 1080P (1920*1080), Max 30fps   |
| ROI                        | Support  |
| Video Stream               | Triple Streams   |
| OSD                        | Up to 10 OSDs  |
| Privacy Mask               | Up to 4 areas  |
| Frame Rate-Third Stream    | D1 (720*576), Max 30fps  |
| <b>Image</b>               |  |
| White Balance              | Auto, Outdoor, Fine Tune, Sodium Lamp, Locked, Auto2   |
| Digital Noise Reduction    | 2D/3D DNR  |
| Smart IR                   | Support  |
| Flip                       | Normal, Flip Vertical, Flip Horizontal, 180°, 90° Clockwise, 90° Anti-clockwise  |
| HLC                        | Support  |
| BLC                        | Support  |
| Defog                      | Digital Defog  |
| Heatwave Reduction         | N/A  |
| <b>Intelligent</b>         |  |
| Smart Intrusion Prevention | Cross line detection, intrusion detection, enter area detection, leave area detection (support false alarm filtering and the classification of human, non-motor vehicle and vehicle) |
| People Counting            | Support People Flow Counting and Crowd Density Monitoring  |
| Exception Detection        | Object Removed, Object Left Behind, Scene Change   |
| <b>Events</b>              |  |
| Basic Detection            | Motion Detection, Tampering Alarm, Audio Detection, Object Removed, Object Left Behind, Scene Change   |
| General Function           | Watermark, IP Address Filtering, Access Policy, ARP Protection, RTSP Authentication, User Authentication, HTTP Authentication, Alarm Input, Alarm Output                             |
| <b>Audio</b>               |  |
| Audio Compression          | G.711U, G.711A   |
| Audio Bitrate              | 128 Kbps   |

|                        |  |
|------------------------|--|
| Two-way Audio          | Support  |
| Suppression            | Support  |
| Sampling Rate          | 16KHZ  |
| <b>Storage</b>         |  |
| Edge Storage           | Micro SD, up to 512 GB   |
| Network Storage        | ANR, NAS (NFS)   |
| <b>Network</b>         |  |
| Protocols              | SSH, IGMP, RTP, RTCP, SMTP, IPv4, IPv6, ICMP, ARP, TCP, UDP, DHCP, PPPoE, RTSP, RTMP, DNS, DDNS, NTP, FTP, UPnP, HTTP, HTTPS, 802.1x, SNMP, QoS, SSL/TLS   |
| Compatible Integration | ONVIF (Profile S, Profile G, Profile T, Profile M), API, SDK   |
| User/Host              | Up to 32 users. 3 user levels: administrator, common user and operator   |
| Security               | TLS1.3, Password Protection, Strong Password, HTTPS Encryption, Export Operation Logs, Basic and Digest Authentication for RTSP, Digest Authentication for HTTP, TLS 1.2, WSSE and Digest Authentication for ONVIF |
| Client                 | EZStation, UNV-Link, UNV-Link Pro  |
| Web Browser            | Plug-in required live view: IE 10+, Chrome 45+, Firefox 52+, Edge 79+, Plug-in free live view: Chrome 57+, Firefox 58+, Edge 16+   |
| <b>Interface</b>       |  |
| Audio I/O              | 1 Input: impedance 1 k $\Omega$ , amplitude 2.5 V [p-p], 1 Output: impedance 600 $\Omega$ , amplitude 2.5 V [p-p]  |
| Alarm I/O              | 2/1  |
| Built-in Mic           | Support  |
| Network                | 1 $\times$ RJ45 10 M/100 M Base-TX Ethernet  |
| Video Output           | 1 BNC (For debugging)  |
| <b>Certification</b>   |  |
| EMC                    | CE-EMC (EN 55032: 2015+A1:2020,EN 61000-3-3: 2013+A1: 2019,EN IEC 61000-3-2: 2019+A1: 2021,EN 55035: 2017+A11:2020)<br>FCC (FCC CFR 47 part15 B, ANSI C63.4-2014)  |
| Safety                 | CE LVD (EN 62368-1:2014+A11:2017)<br>UL (UL 62368-1, 2nd Ed., Issue Date: 2014-12-01)  |
| Environment            | CE-RoHS (2011/65/EU;(EU)2015/863); WEEE (2012/19/EU); Reach (Regulation (EC) No 1907/2006)   |

|                     |   |
|---------------------|---|
| Protection          | IP67 (IEC 60529:1989+AMD1:1999+AMD2:2013)<br>IK10 (IEC 62262:2002)  |
| <b>General</b>      |   |
| Power               | DC12V(±25%), PoE(IEEE 802.3af)  |
| Power Consumption   | Max 9W  |
| Power Interface     | Ø5.5 mm coaxial power plug  |
| Dimensions          | Ø 129 x 110 mm (Ø 5.1" x 4.3") (Ø x H)  |
| Weight              | 0.72Kg(1.59lb)  |
| Storage Environment | -40 °C to 70 °C (-40 °F to 158 °F), Humidity: ≤ 95% RH (non-condensing)   |
| Working Environment | -30 °C to 60 °C (-22 °F to 140 °F), Humidity: ≤ 95% RH (non-condensing)   |
| Surge Protection    | 6 KV  |
| Reset Button        | Support   |
| Web Client Language | 22 Languages: Traditional Chinese, English, Simplified Chinese, Polish, German, Russian, French, Korean, Dutch, Czech, Portuguese (Europe), Portuguese (Brazil), Japanese, Thai, Turkish, Spanish (Latin America), Spanish (Europe), Hungarian, Italian, Vietnamese, Arabic, Slovak |

## Dimensions



## Accessories

TR-JB03-H-IN

Junction Box for Metal Turret Camera  
(Support wiring from behind)



TR-JB07/WM03-F-IN

Wall Mounting Assembling Bracket with Back Hole for 3 Inch Hemisphere



TR-WM03-B-IN

Wall Mounting Assembling Bracket for 3 Inch Hemisphere



TR-SE24-IN

Dome Pendant Mounting Pole 200m  
m



TR-SE24-A-IN

Dome Pendant Mounting Pole 500m  
m



TR-CM24-IN

Dome Pendant Mounting Bracket(Indoor)



TR-A01-IN

NPT 3/4" Waterproof Cable Gland



TR-UP06-IN

Universal Pole Mounting Bracket



**Zhejiang Uniview Technologies Co., Ltd.**

No. 369, Xietong Road, Xixing Sub-district, Binjiang District, Hangzhou City, 310051, Zhejiang Province, China

Email: [overseasbusiness@uniview.com](mailto:overseasbusiness@uniview.com); [globalsupport@uniview.com](mailto:globalsupport@uniview.com)

<http://www.uniview.com>

©2023-2025 Zhejiang Uniview Technologies Co., Ltd. All rights reserved.

\*Product specifications and availability are subject to change without notice.

\*Despite our best efforts, technical or typographical errors may exist in this document. Uniview cannot be held responsible for any such errors and reserves the right to change the contents of this document without prior notice.