

# 5MP HD IR Fixed Dome Analog Camera

UAC-D115-F28(40)



## Overview

UAC-D115-F28(40) is a 5MP HD IR fixed dome analog camera with a high-performance 1/2.7-inch CMOS sensor. It supports TVI/AHD/CVI/CVBS, which effectively enhances product adaptability and diversity of networking solutions. With SYV-75-3 or other coaxial cable types the camera can achieve low-cost, long-distance, anti-interference, and low delay mega-pixel video transmission. The camera supports IR cut filter and provides color images at daytime and black/white images at night.

## Features

- High quality imaging with 5MP resolution
- TVI/AHD/CVI/CVBS
- Supports IR-cut filter with auto-switch (ICR)
- Supports 180 horizontal flip, 180 vertical flip
- OSD configuration menu, easy to operate
- IP67 waterproof and dustproof design, high reliability
- OSD configuration menu in 11 languages
- 3-Axis

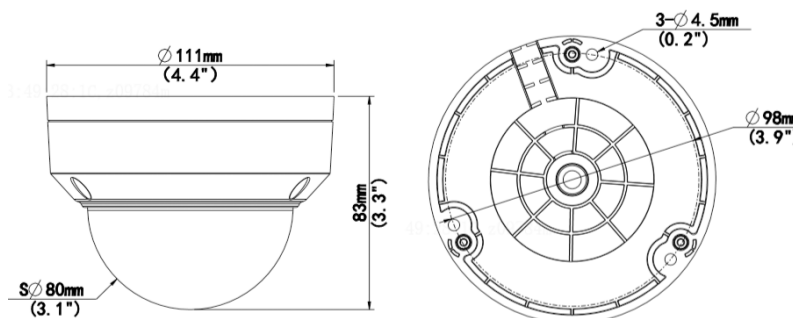
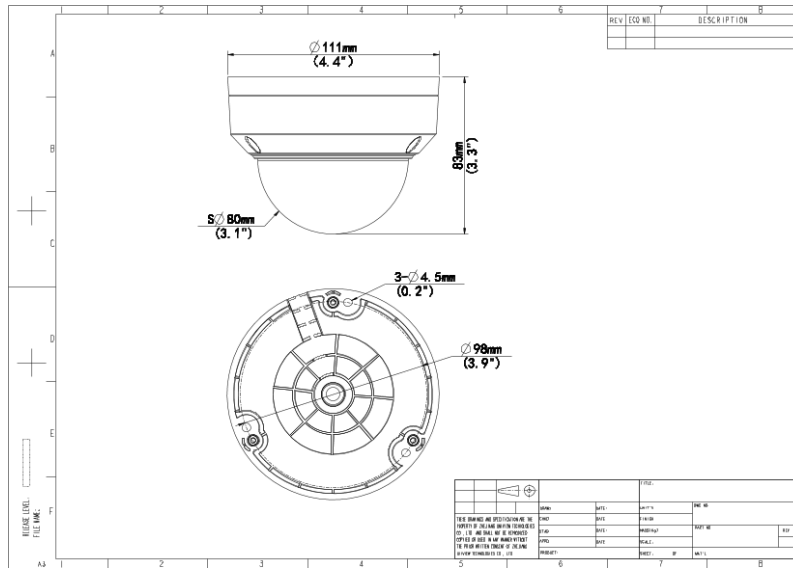
## Specifications

Sensor	Description
--------	-------------

Pixel	5MP
Sensor Size	1/2.7" CMOS
Min. Illumination	0.02 lux (F2.0, AGC ON) 0 lux (IR on)
<b>Lens</b>	<b>Description</b>
Focus	UAC-D115-F28:2.8 mm UAC-D115-F40:4.0 mm
Lens Mount	M12
Angle of View (H)	UAC-D115-F28:102.2° UAC-D115-F40:82.9°
Angle of View (V)	UAC-D115-F28:53.9° UAC-D115-F40:46.1°
Angle of View (D)	UAC-D115-F28:124.8° UAC-D115-F40:100.0°
<b>Illuminator</b>	<b>Description</b>
Illuminator Number	One IR illuminator
Illumination Distance	20m
Lifetime	≥60000 hours
<b>Video</b>	<b>Description</b>
Resolution	5MP@25fps: 2880(H)×1620(V); 5MP@20fps: 2592(H)×1944(V); 5MP@12.5fps: 2592(H)×1944(V) 4MP: 2560(H)×1440(V) 1080P: 1920(H)×1080(V)
Frame Rate	TVI: 5MP@20fps (default), 5MP@12.5fps, 4MP@25fps, 4MP@30fps, 1080P@25fps, 1080P@30fps AHD: 5MP@20fps, 4MP@25fps, 4MP@30fps, 1080P@25fps, 1080P@30fps CVI: 5MP@25fps, 4MP@25fps, 4MP@30fps, 1080P@25fps, 1080P@30fps CVBS: PAL, NTSC
Shutter Time	PAL: 1/25s-1/50000s, NTSC: 1/30s-1/50000s
<b>Image</b>	<b>Description</b>
Exposure Mode	Four modes: Global(default), BLC, HLC, DWDR
Day/Night	Three modes: Auto (default), Day, Night
Digital Noise Reduction	2D

White Balance	Two modes: Auto (default), Manual
WDR	DWDR
Smart IR	Support
Flip	Supports 180°horizontal flip, 180°vertical flip
Digital Defog	N/A
<b>Audio</b>	<b>Description</b>
Built-in Mic	N/A
Camera Audio	N/A
<b>Interface</b>	<b>Description</b>
Power Interface	5.5 mm Power Interface
Video Output	BNC, supports TVI/AHD/CVI/CVBS
<b>Operating Environment</b>	<b>Description</b>
Temperature	-30°C to 60°C (-22°F to 140°F)
Humidity	≤95% RH (non-condensing)
Surge Protection	4kV for power; 4kV for video output interfaces
Ingress Protection	IP67
<b>General</b>	<b>Description</b>
Power	DC12V ± 25%
Power Consumption	MAX 3.4W
Mount	Wall Mount; Pole Mount; Corner Mount; Tilted Mount; Pendant Mount
Dimensions	Φ 111mm*83mm (diameter*height)
Material	Plastic
Weight	233g(0.51lb)

# Dimensions



**Zhejiang Uniview Technologies Co., Ltd.**

No. 369, Xietong Road, Xixing Sub-district, Binjiang District, Hangzhou City, 310051, Zhejiang Province, China (Zhejiang) Pilot Free Trade Zone, China

Email: [overseasbusiness@uniview.com](mailto:overseasbusiness@uniview.com); [globalsupport@uniview.com](mailto:globalsupport@uniview.com)

<http://www.uniview.com>

©2023-2024 Zhejiang Uniview Technologies Co., Ltd. All rights reserved.

\*Product specifications and availability are subject to change without notice.

\*Despite our best efforts, technical or typographical errors may exist in this document. Uniview cannot be held responsible for any such errors and reserves the right to change the contents of this document without prior notice.