

5MP HD Fixed IR Turret Analog Camera

UAC-T115-F28(40)



Overview

UAC-T115-F28/F40 is a 5MP HD Fixed IR Turret Analog Camera with a high-performance 1/2.7-inch CMOS sensor. It supports TVI/AHD/CVI/CVBS, which effectively enhances product adaptability and diversity of networking solutions. With SYV-75-3 or other coaxial cable types the camera can achieve low-cost, long-distance, anti-interference, and low delay mega-pixel HD video transmission. The camera supports IR cut filter and provides color images at daytime and black/white images at night.

Features

- 5MP high quality image
- TVI/AHD/CVI/CVBS
- IR-cut filter with auto switch (ICR)
- Supports 180 horizontal flip, 180 vertical flip
- OSD configuration menu, easy to operate
- IP67 waterproof and dustproof design, high reliability
- OSD configuration menu in 11 languages
- 3-Axis

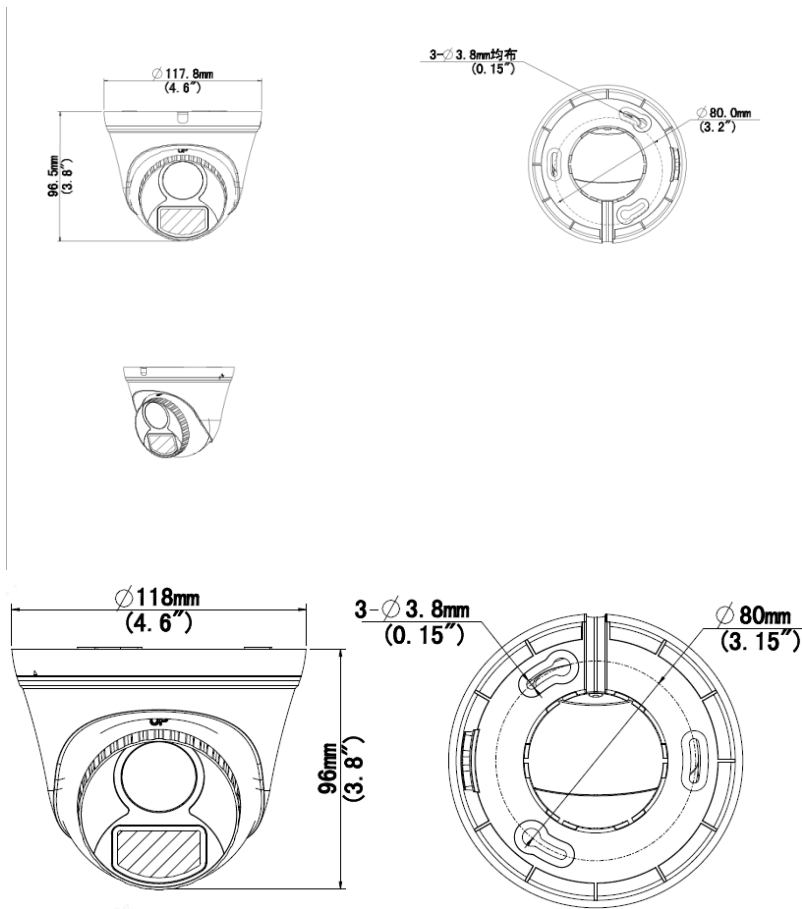
Specifications

Sensor	Description
--------	-------------

Pixel	5MP
Sensor Size	1/2.7" CMOS
Min. Illumination	0.02 lux (F2.0, AGC ON) 0 lux (IR on)
Lens	Description
Focus	UAC-T115-F28:2.8 mm UAC-T115-F40:4.0 mm
Lens Mount	M12
Angle of View (H)	UAC-T115-F28:102.2° UAC-T115-F40:82.9°
Angle of View (V)	UAC-T115-F28:53.9° UAC-T115-F40:46.1°
Angle of View (D)	UAC-T115-F28:124.8° UAC-T115-F40:100.0°
Illuminator	Description
Illuminator Number	One IR illuminator
Illumination Distance	20m
Lifetime	≥60000 hours
Video	Description
Resolution	5MP@25fps: 2880(H)×1620(V); 5MP@20fps: 2592(H)×1944(V); 5MP@12.5fps: 2592(H)×1944(V) 4MP: 2560(H)×1440(V) 1080P: 1920(H)×1080(V)
Frame Rate	TVI: 5MP@20fps (default), 5MP@12.5fps, 4MP@25fps, 4MP@30fps, 1080P@25fps, 1080P@30fps AHD: 5MP@20fps, 4MP@25fps, 4MP@30fps, 1080P@25fps, 1080P@30fps CVI: 5MP@25fps, 4MP@25fps, 4MP@30fps, 1080P@25fps, 1080P@30fps CVBS: PAL, NTSC
Shutter Time	PAL: 1/25s-1/50000s, NTSC: 1/30s-1/50000s
Image	Description
Exposure Mode	Four modes: Global(default), BLC, HLC, DWDR
Day/Night	Three modes: Auto (default), Day, Night
Digital Noise Reduction	2D

White Balance	Two modes: Auto (default), Manual
WDR	DWDR
Smart IR	Support
Flip	Supports 180°horizontal flip, 180°vertical flip
Interface	Description
Power Interface	5.5 mm Power Interface
Video Output	BNC, supports TVI/AHD/CVI/CVBS
Operating Environment	Description
Temperature	-30°C to 60°C (-22°F to 140°F)
Humidity	≤95% RH (non-condensing)
Surge Protection	4KV for power; 4KV for video output interfaces
General	Description
Power	DC12V ±25%
Power Consumption	MAX 3.6W
Mount	Wall Mount; Pole Mount; Corner Mount; Pendant Mount
Dimensions	Φ118mm*96mm (diameter*height)
Material	Plastic
Weight	182g(0.401lb)
OSD Menu Language	11 Languages English, German, Spanish (Latin America), French, Italian, Japanese, Korean, Polish, Portuguese (Brazil), Russian, Turkish
Certification	Description
EMC	CE-EMC (EN 55032, EN 61000-3-3, EN IEC 61000-3-2, EN 55035); FCC (FCC 47 CFR part15 B)
Safety	CE-LVD (EN 62368-1)
Environment	CE-RoHS (2011/65/EU;(EU)2015/863); WEEE (2012/19/EU)
Protection	IP67 (IEC 60529)

Dimensions



Zhejiang Uniview Technologies Co., Ltd.

No. 369, Xietong Road, Xixing Sub-district, Binjiang District, Hangzhou City, 310051, Zhejiang Province, China (Zhejiang) Pilot Free Trade Zone, China

Email: overseasbusiness@uniview.com; globalsupport@uniview.com

<http://www.uniview.com>

©2023-2024 Zhejiang Uniview Technologies Co., Ltd. All rights reserved.

*Product specifications and availability are subject to change without notice.

*Despite our best efforts, technical or typographical errors may exist in this document. Uniview cannot be held responsible for any such errors and reserves the right to change the contents of this document without prior notice.