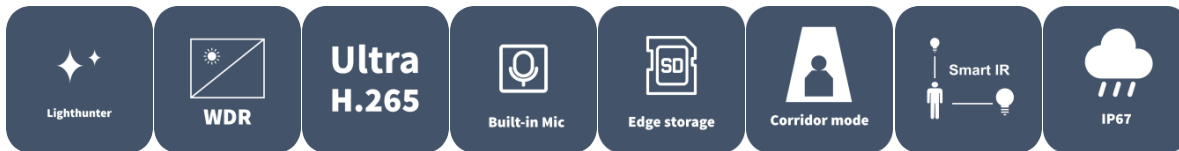


5MP WDR LightHunter IR Network Bullet Camera

IPC2225SB-ADF28KM-I1



Features

- High quality image with 5MP,1/2.7" CMOS sensor
- 2880*1620@30fps in the main stream
- Ultra 265, H.265, H.264, MJPEG
- Smart intrusion prevention, support Cross Line and Intrusion based on human body and vehicle detection
- LightHunter technology ensures ultra-high image quality in low illumination environment
- Support 9:16 Corridor Mode
- Up to 120 dB Optical WDR (Wide Dynamic Range)
- Support Smart IR, up to 80m IR range
- DC12V or PoE (IEEE 802.3af) power supply
- Audio 1 in and 1 out, Alarm 1 in and 1 out
- Built-in Mic
- IP67,IK10

Specifications

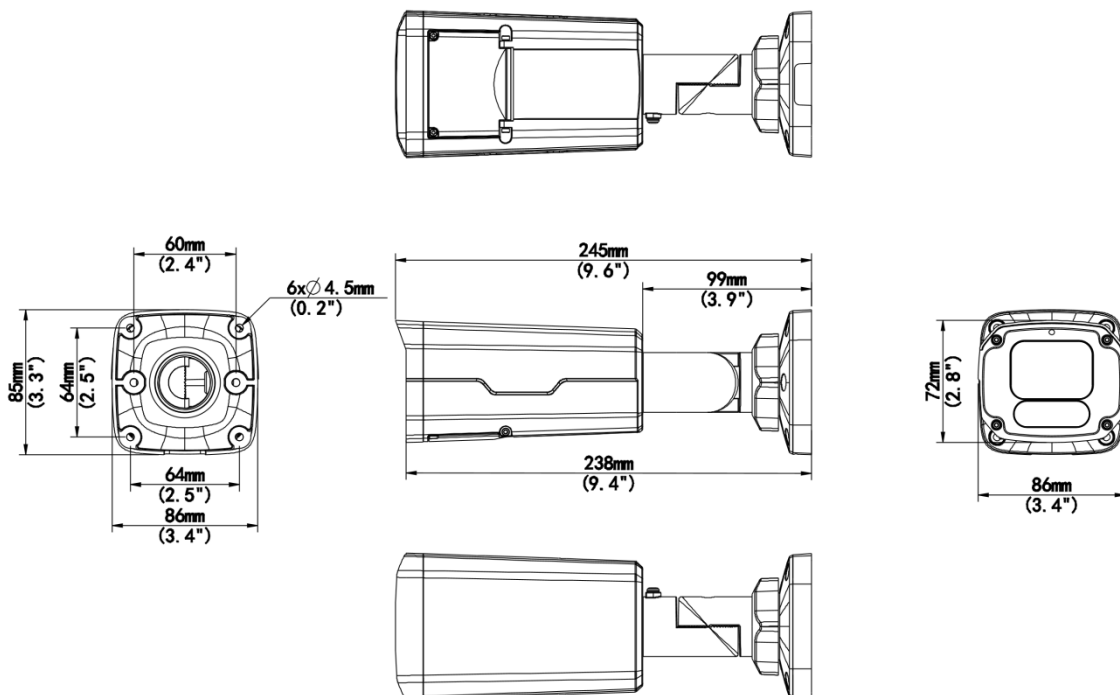
| | |
|--------|----------------------|
| Model | IPC2225SB-ADF28KM-I1 |
| Camera | |
| Sensor | 1/2.7" CMOS |

| | |
|----------------------------|---|
| Min. Illumination | Colour:0.003 lux (F1.6, AGC ON) 0 lux with IR |
| Day/Night | IR-cut filter with auto switch (ICR) |
| Shutter | Auto/Manual, 1 to 1/100000 s |
| WDR | 120 dB |
| Adjustment Angle | Pan: 0° to 360° Tilt: 0° to 90° Rotate: 0° to 360° |
| S/N | >56 dB |
| Lens | |
| Focal Length | 2.8 mm |
| Iris | F1.6 |
| Field of View (H) | 108.5° |
| Field of View (V) | 57.9° |
| Field of View (D) | 141.1° |
| Iris Type | Fixed |
| DORI | |
| DORI Distance (Lens) | 2.8mm |
| DORI Distance (Detect) | 63.0m(206.7ft) |
| DORI Distance (Observe) | 25.2m(82.7ft) |
| DORI Distance (Recognize) | 12.6m(41.3ft) |
| DORI Distance (Identify) | 6.3m(20.7ft) |
| Illuminator | |
| Illumination Distance (IR) | 80 m (262 ft) |
| IR On/Off Control | Auto/Manual |
| Wavelength | 850 nm |
| Video | |
| Privacy Mask | Up to 4 areas per scene |
| Frame Rate-Main Stream | 5MP (2880*1620), Max 30fps |
| Frame Rate-Sub Stream | 720P (1280*720), Max 30fps |
| Video Compression | Ultra 265, H.265, H.264, MJPEG |
| Video Bit Rate | 128 Kbps to 16 Mbps |
| ROI | Support |
| Video Stream | Dual Streams |
| OSD | Up to 4 OSDs |
| Image | |
| Defog | Digital Defog |
| White Balance | Auto, Outdoor, Fine Tune, Sodium Lamp, Locked, Auto2 |
| Digital Noise Reduction | 2D/3D DNR |
| Smart IR | Support |
| Flip | Normal, Flip Vertical, Flip Horizontal, 180°, 90°Clockwise, 90°Anti-clockwise |
| HLC | Support |
| BLC | Support |

| | |
|----------------------------|---|
| Heatwave Reduction | N/A |
| Intelligent | |
| Smart Intrusion Prevention | Cross line detection, intrusion detection (support false alarm filtering and the classification of human and vehicle) |
| Events | |
| Basic Detection | Motion Detection, Ultra Motion Detection (based on Human Body and Vehicle Detection), Tampering Alarm, Audio Detection |
| General Function | Watermark, IP Address Filtering, Access Policy, ARP Protection, RTSP Authentication, User Authentication, HTTP authentication, Alarm input, Alarm output |
| Audio | |
| Audio Compression | G.711U, G.711A |
| Audio Bitrate | 128 Kbps |
| Two-way Audio | Support |
| Suppression | Support |
| Sampling Rate | 16KHZ |
| Storage | |
| Edge Storage | Micro SD, up to 512 GB |
| Network Storage | ANR, NAS (NFS) |
| Network | |
| Protocols | SSH, IGMP, RTP, RTCP, SMTP, IPv4, IPv6, ICMP, ARP, TCP, UDP, DHCP, PPPoE, RTSP, RTMP, DNS, DDNS, NTP, FTP, UPnP, HTTP, HTTPS, 802.1x, SNMP, QoS, SSL/TLS |
| Compatible Integration | ONVIF (Profile S, Profile G, Profile T, Profile M), SDK, API |
| User/Host | Up to 32 users. 3 user levels: administrator, common user and operator |
| Security | TLS 1.3, Password Protection, Strong Password, HTTPS Encryption, Export Operation Logs, Basic and Digest Authentication for RTSP, Digest Authentication for HTTP, TLS 1.2, WSSE and Digest Authentication for ONVIF |
| Client | EZStation, UNV-Link, UNV-Link Pro |
| Web Browser | Plug-in required live view: IE 10+, Chrome 45+, Firefox 52+, Edge 79+, Plug-in free live view: Chrome 57+, Firefox 58+, Edge 16+ |
| Interface | |
| Audio I/O | 1 Input: impedance 1 k Ω , amplitude 2.5 V [p-p], 1 Output: impedance 600 Ω , amplitude 2.5 V [p-p] |
| Alarm I/O | 1/1 |
| Built-in Mic | Support |
| Network | 1 \times RJ45 10 M/100 M Base-TX Ethernet |
| Certification | |
| EMC | CE-EMC (EN 55032: 2015+A1:2020, EN 61000-3-3: 2013+A1: 2019, EN IEC 61000-3-2: 2019+A1: 2021, EN 55035: 2017+A11:2020) FCC (FCC CFR 47 part15 B, ANSI C63.4-2014) |
| Safety | CE LVD (EN 62368-1:2014+A11:2017) UL (UL 62368-1, 2nd Ed., Issue Date: 2014-12-01) |
| Environment | CE-RoHS (2011/65/EU; EU)2015/863); WEEE (2012/19/EU); Reach (Regulation (EC) No 1907/2006) |

| | |
|---------------------|---|
| Protection | IP67 (IEC 60529:1989+AMD1:1999+AMD2:2013) IK10 (IEC 62262:2002) |
| General | |
| Power | DC12V(±25%) , PoE (IEEE 802.3af) |
| Power Consumption | Max 8W |
| Power Interface | Ø5.5 mm coaxial power plug |
| Dimensions | 245 x 87 x 86mm (9.6" x 3.4" x 3.4") (L x W x H) |
| Weight | 0.82kg(1.81lb) |
| Working Environment | -30°C ~ 60°C (-22°F ~ 140°F), Humidity: 5%~95% RH (non-condensing) |
| Storage Environment | -40°C ~ 70°C (-40°F ~ 158°F), Humidity: 5%~95% RH (non-condensing) |
| Web Client Language | 22 Languages: Traditional Chinese, English, Simplified Chinese, Polish, German, Russian, French, Korean, Dutch, Czech, Portuguese (Europe), Portuguese (Brazil), Japanese, Thai, Turkish, Spanish (Latin America), Spanish (Europe), Hungarian, Italian, Vietnamese, Arabic, Slovak |

Dimensions



Accessories

TR-JB07-D-IN

Bullet Junction Box(Support wiring from behind)



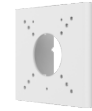
TR-JB06-A-IN

Middle Bullet Junction Box(Elegant White)



TR-UP06-B-IN

Bullet Pole Mounting Bracket



TR-UP06-C-IN

Pole Mounting Bracket for Bullet Junction Box Only



TR-A01-IN

NPT 3/4" Waterproof Cable Gland



Zhejiang Uniview Technologies Co., Ltd.

No. 369, Xietong Road, Xixing Sub-district, Binjiang District, Hangzhou City, 310051, Zhejiang Province, China (Zhejiang) Pilot Free Trade Zone, China

Email: overseasbusiness@uniview.com; globalsupport@uniview.com

<http://www.uniview.com>

©2023-2025 Zhejiang Uniview Technologies Co., Ltd. All rights reserved.

*Product specifications and availability are subject to change without notice.

*Despite our best efforts, technical or typographical errors may exist in this document. Uniview cannot be held responsible for any such errors and reserves the right to change the contents of this document without prior notice.