

## Door Exit Button OEP-GM5



## Overview

OEP-GM5 door exit button is one of the most frequently used important components in the access control system, with hundreds of millions of people using it to open doors every day around the world. It can be widely used in access control scenarios in finance, telecom, supermarket, hotel, government, school, airport, factory, justice etc.

## Features

- Professional circuit design, no mechanical failure.
- Elegant appearance.
- Made of fire-proof and flame-retardant materials, easy to install.
- 500,000 fatigue tests, reliable and durable.

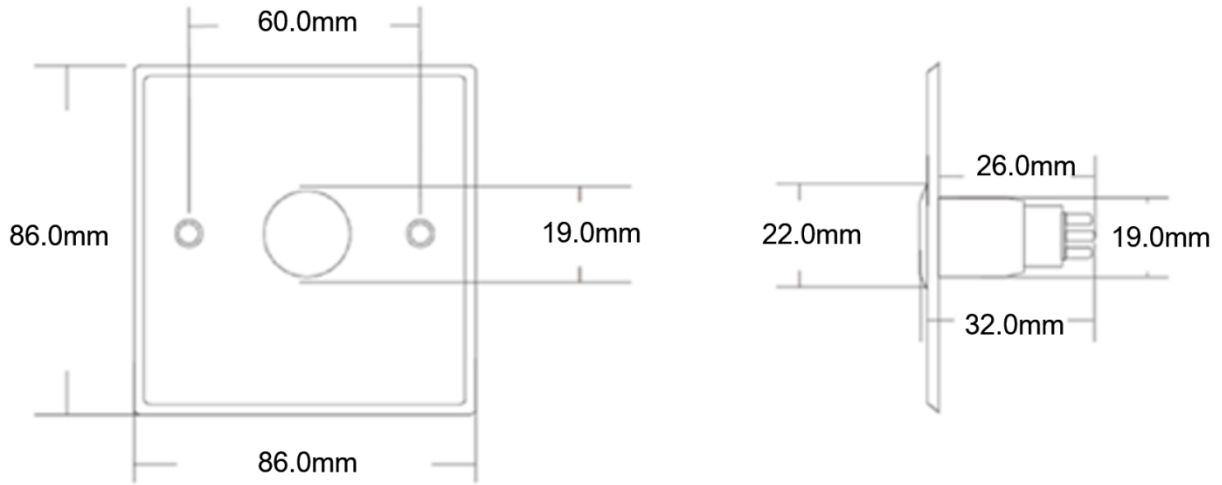
## Specifications

Model	OEP-GM5
Physical	
Material	Stainless steel casing
Hardware Specification	
Dimensions (L x W x H)	86*86*32mm
Operating Environment	Operating temperature: -30°C to +60°C Operating humidity: ≤95%
Weight	0.1kg
Attestation	CE/FCC/ROHS
Power Supply	DC12V

## Ordering Info

Product Model	Description
OEP-GM5	Open Door Button

## Dimensions



# Unlimited New View

## Zhejiang Uniview Technologies Co., Ltd.



<http://www.uniview.com>



[overseasbusiness@uniview.com](mailto:overseasbusiness@uniview.com); [globalsupport@uniview.com](mailto:globalsupport@uniview.com)



No. 369, Xietong Road, Xixing Sub-district, Binjiang District, Hangzhou City, 310051, Zhejiang Province, China



©2023-2025 Zhejiang Uniview Technologies Co., Ltd. All rights reserved.

\*Product specifications and availability are subject to change without notice.

Despite our best efforts, technical or typographical errors may exist in this document. Uniview cannot be held responsible for any such errors and reserves the right to change the contents of this document without prior notice.