

Smart Management Box SMBOX02



Features

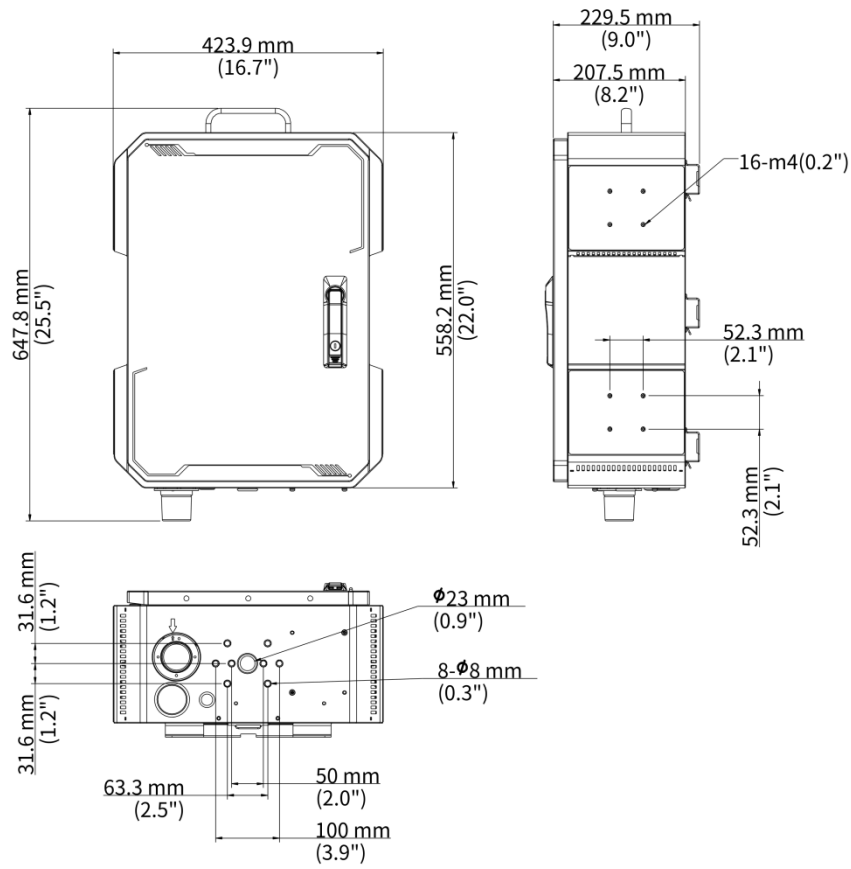
- Integrated design, combining the smart power management module, power supply switch, heater, fan, and warning light into one. Most IPC and IP Speaker models can be installed on the smart management box
- Users can remotely monitor the working status of the smart management box and its loaded devices and receive alarm notifications via mobile app and EZCloud
- Supports automatic restart of power port for network devices. When the smart management box detects a network disconnection, it will automatically power off the network devices and restart them
- Equipped with surge protector, circuit breaker, and software protection function, forming a three-layer protection mechanism to effectively resist risks such as lightning, short circuit, overvoltage, and overcurrent
- Integrated design eliminates the need for manual wiring, simplifying installation for users
- Other available mounting space dimensions (Width 225 mm × Height 185 mm × Depth 63 mm)

Specifications

Model	SMBOX02
Power Input	
Input Type	DC 10.8 V to DC 14.4 V, 12A
Input Port	3-pin Connector
Power Output	
Socket	N/A
DC 12V	1-ch 2.5A, DC5521, Used for powering the router
DC 48V	DC 10.8 ~ 14.4V to DC 48V, 2.5A, 2 Pin Phoenix terminal
Dedicated Power Interface (Pre-Wired Internal Cabling)	
Router Power Interface	DC12V, 2.5A

Warning Light Power Interface	DC12V, 2.5A
Function	
System Functional Description	Power Information Collection,Power Switch Detection,Power Switch Control,Thermostatic Fan,Automatic Network Restart,Door Open Detection,Warning Light,Fault Reporting and Analysis
Power Lightning Protector	
Maximum discharge current	40 kA
Rated discharge current	20 kA
Response time	L-PE ≤ 25 ns, N-PE ≤ 25 ns
General	
Surge Protection	6 kV
Working Temperature	-40 °C to 70 °C (-40 °F to 158 °F)
Working Humidity	≤ 90% RH (non condensing)
Weight (Without Camera)	≤ 14 kg (30.86 lb)
Dimensions	650 (H) × 424 (W) × 230 (D) mm
Slot dimensions	The space has a depth of 55mm and a width of 190mm for installing a 4G router, Select a 4G router with DC 12V round plug power supply, total power consumption not exceeding 30W, and at least 3 LAN ports.
Rating	IP56, Custom stainless-steel enclosures available to meet NEMA 4X requirements.
Certification	CE-EMC, FCC
Consumption	
No-load power consumption	At ambient temperature of 25°C: 4.6 W (No HDD Heating, No Fan, No Alarm Light)
Full-load power consumption	At ambient temperature of 25°C: 12.6 W (Fan, Alarm Light)
Adaptable Mounting Bracket	
Left side	Up to 2 units can be installed, supporting TR-JB07/WM03-F-IN-V2, TR-JB07/WM03-G-IN-V2, TR-JB07/WM03-H-IN-V2, TR-JB07/WM04-B-IN-V2, TR-JB05-B-IN or TR-JB07-D-IN-V2
Right side	Up to 2 units can be installed, supporting TR-JB07/WM03-F-IN-V2, TR-JB07/WM03-G-IN-V2, TR-JB07/WM03-H-IN-V2, TR-JB07/WM04-B-IN-V2, TR-JB05-B-IN or TR-JB07-D-IN-V2
Bottom	Up to 1 unit can be installed, which cannot be installed simultaneously with the IP Speaker and supports TR-UF45-A-IN (Only 4-inch PTZ)
Top	Support the installation of an IP speaker, no mounting bracket required.

Dimensions




Unlimited New View

Zhejiang Uniview Technologies Co., Ltd.

 <http://www.uniview.com>

 overseasbusiness@uniview.com; globalsupport@uniview.com

 No. 369, Xietong Road, Xixing Sub-district, Binjiang District, Hangzhou City, 310051, Zhejiang Province, China



©2023-2025 Zhejiang Uniview Technologies Co., Ltd. All rights reserved.

*Product specifications and availability are subject to change without notice.

Despite our best efforts, technical or typographical errors may exist in this document. Uniview cannot be held responsible for any such errors and reserves the right to change the contents of this document without prior notice.