

8MP WDR LightHunter IR Network Bullet Camera

IPC2B28SA-ADZK-PI-I2A



Features

- High quality image with 8 MP, 1/1.8" CMOS sensor
- 3840 × 2160@30 fps in the main stream, delivers ultra high definition live
- Motorized lens with P-iris, supports accurate control of exposure
- Ultra 265, H.265, H.264, MJPEG
- Smart intrusion prevention, supports false alarm filtering, including cross line, intrusion, enter area, leave area detection
- People counting, supports people flow counting and crowd density monitoring, suitable for different statistical scenarios
- Traffic monitoring, supports capturing license plate and collecting car information when the car passes tripwire
- Wise-ISP technology, comprehensive improvement in image quality
- Up to 130 dB optical WDR (Wide Dynamic Range)
- DC 12 V or PoE (IEEE 802.3af) power supply
- Audio 1 in and 1 out, alarm 1 in and 1 out
- IP67, IK10

Specifications

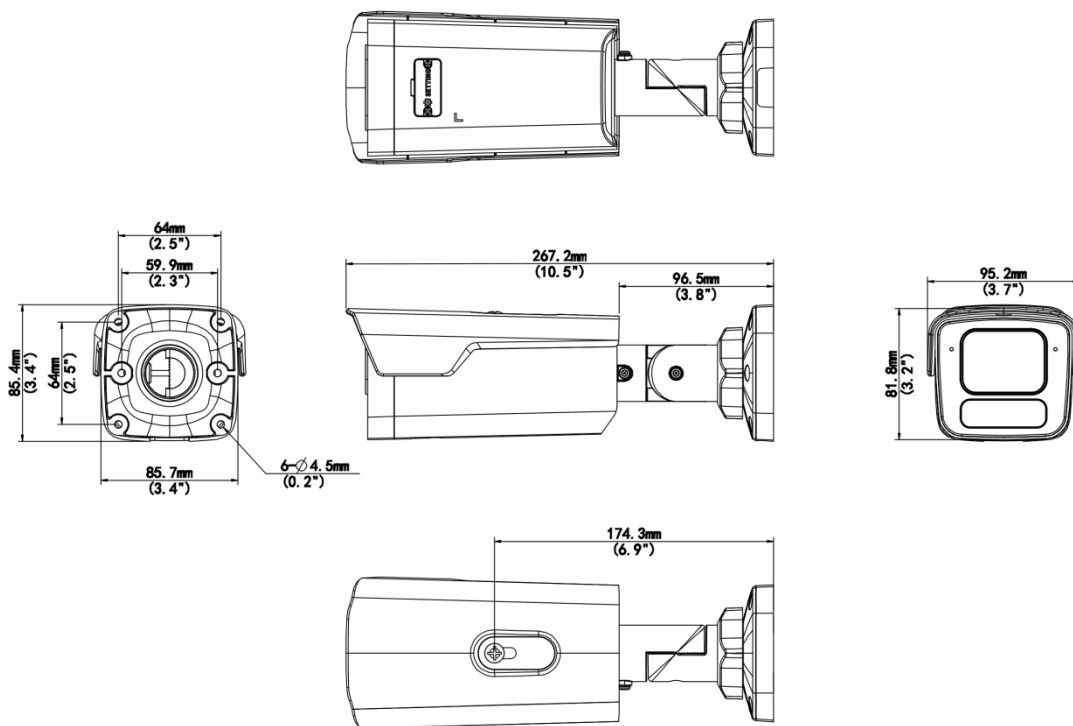
Model	IPC2B28SA-ADZK-WP-PI-I2A
Camera	
Max Resolution	8 MP
Sensor	1/1.8" CMOS

Min. Illumination	Colour: 0.001 lux (F1.2, AGC ON) 0 lux with IR
Day/Night	IR-cut filter with auto switch (ICR)
Shutter	Auto/Manual, 1 to 1/100000 s
WDR	130 dB
S/N	> 56 dB
Lens	
Focal Length	2.7 to 13.5 mm
Optical Zoom	5X
Iris	F1.2
Field of View (H)	104.7° ~ 49.1°
Field of View (V)	56.4° ~ 27.9°
Field of View (D)	128.8° ~ 60.4°
Iris Type	P-iris
DORI	
DORI Distance (Lens)	2.7 ~ 13.5 (mm)
DORI Distance (Detect)	98.6m (323.3ft) ~ 209.9 m (688.7ft)
DORI Distance (Observe)	39.4m (129.3ft) ~ 84.0 m (275.5ft)
DORI Distance (Recognize)	19.7m (64.7ft) ~ 42.0 m (137.7ft)
DORI Distance (Identify)	9.9m (32.3ft) ~ 21.0 m (68.9ft)
Illuminator	
Illumination Distance (IR)	80 m (262 ft)
Wavelength	850 nm
IR On/Off Control	Auto/Manual
Video	
Frame Rate-Main Stream	8MP (3840*2160), Max 30fps
Video Compression	Ultra 265, H.265, H.264, MJPEG
Frame Rate-Sub Stream	2MP (1920*1080), Max 30fps
Video Bit Rate	128 Kbps to 16 Mbps
U-code	Support
ROI	Up to 8 areas
Privacy Mask	Up to 8 areas (8 blacks/ 8 mosaics)
Video Stream	Triple Streams
OSD	Up to 8 OSDs
Frame Rate-Third Stream	D1 (720*576), Max 30fps
Image	
White Balance	Auto, Outdoor, Fine Tune, Sodium Lamp, Locked, Auto2, Area White Balance
Digital Noise Reduction	2D/3D DNR
Flip	Normal, Flip Vertical, Flip Horizontal, 180°, 90° Clockwise, 90° Anti-clockwise
Defog	Digital Defog
EIS	Support
Intelligent	
People Counting	Support People Flow Counting and Crowd Density Monitoring

Exception Detection	Object Removed, Object Left Behind, Scene Change, Defocus Detection
Smart Intrusion Prevention	Cross line detection, intrusion detection, enter area detection, leave area detection (support false alarm filtering and the classification of human, non-motor vehicle and vehicle)
Traffic Monitoring	Support capturing car license picture and collect other car information when the car passes tripwire, Up to 4 lanes can be set, Two types of application mode available: High/Low pole
Events	
Basic Detection	Motion Detection, Ultra Motion Detection, Tampering Alarm, Audio Detection
General Function	Watermark, IP Address Filtering, Access Policy, ARP Protection, RTSP Authentication, User Authentication, HTTP Authentication, Alarm Input, Alarm Output
UMD (Ultra Motion Detection)	Support
Audio	
Audio Compression	G.711U, G.711A
Audio Bitrate	128 Kbps
Two-way Audio	Support
Suppression	Support
Sampling Rate	8 kHz, 16 kHz
Storage	
Edge Storage	Micro SD, up to 512 GB
Network Storage	ANR, NAS (NFS)
Network	
Protocols	IGMP, SMTP, IPv6, ICMP, ARP, TCP, UDP, DHCP, PPPoE, RTSP, DNS, DDNS, NTP, UPnP, HTTP, HTTPS, 802.1x, SNMP, QoS, SSL/TLS, SSH, IPv4, RTP, RTCP, RTMP
Compatible Integration	ONVIF (Profile S, Profile G, Profile T, Profile M), API, SDK
User/Host	Up to 32 users. 3 user levels: administrator, common user and operator
Security	TLS 1.3, Password Protection, Strong Password, HTTPS Encryption, Export Operation Logs, Basic and Digest Authentication for RTSP, Digest Authentication for HTTP, TLS 1.2, WSSE and Digest Authentication for ONVIF
Client	UNV-Link, UNV-Link Pro, EZStation
Web Browser	Plug-in required live view: IE 10+, Chrome 45+, Firefox 52+, Edge 79+
Interface	
Audio I/O	1 Input: impedance 1 k Ω , amplitude 2.5 V [p-p], 1 Output: impedance 600 Ω , amplitude 2.5 V [p-p]
Alarm I/O	1/1
Serial Port	1 channel RS485 interface
Built-in Mic	Built-in two mics
Network	1 \times RJ45 10 M/100 M Base-TX Ethernet
Certification	
EMC	CE-EMC (EN 55032, EN 61000-3-3, EN IEC 61000-3-2, EN 50130) FCC-SDoC (47 CFR Part15, Subpart B)
Safety	CE-LVD (EN IEC 62368-1) UL/CUL (UL 62368-1, CAN/CSA C22.2 No. 62368-1)

Environment	CE-RoHS (2011/65/EU;(EU)2015/863) WEEE (2012/19/EU)
Protection	IP67 (IEC 60529) IK10 (IEC 62262)
General	
Power	DC12V (±25%) , PoE (IEEE 802.3af)
Power Consumption	Max 12.5W
Power Interface	Ø5.5 mm coaxial power plug
Dimensions	268 x 96 x 82 mm (10.5" x 3.7" x 3.2") (L x W x H)
Weight	1kg (2.2lb)
Working Environment	-30 °C to 60 °C (-22 °F to 140 °F), Humidity: ≤ 95% RH (non-condensing)
Storage Environment	-40 °C to 70 °C (-40 °F to 158 °F), Humidity: ≤ 95% RH (non-condensing)
Surge Protection	6 KV

Dimensions



Accessories

TR-JB07-D-IN

Bullet Junction Box(Support wiring from behind)



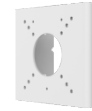
TR-UP06-C-IN

Pole Mounting Bracket for Bullet Junction Box Only



TR-UP06-B-IN

Bullet Pole Mounting Bracket



TR-A01-IN

NPT 3/4" Waterproof Cable Gland



Zhejiang Uniview Technologies Co., Ltd.

No. 369, Xietong Road, Xixing Sub-district, Binjiang District, Hangzhou City, 310051, Zhejiang Province, China (Zhejiang) Pilot Free Trade Zone, China

Email: overseasbusiness@uniview.com; globalsupport@uniview.com

<http://www.uniview.com>

©2025 Zhejiang Uniview Technologies Co., Ltd. All rights reserved.

*Product specifications and availability are subject to change without notice.

*Despite our best efforts, technical or typographical errors may exist in this document. Uniview cannot be held responsible for any such errors and reserves the right to change the contents of this document without prior notice.