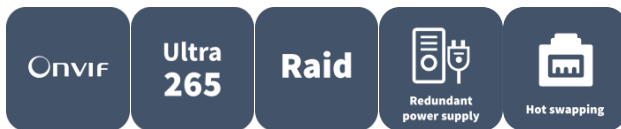


Network Video Recorder NVR816 Series



Features

- Support Ultra 265/H.265/H.264 video formats
- 64/128-channel input
- Support 2-ch HDMI, 1-ch VGA, HDMI at up to 4K(3840x2160) resolution
- HDMI1, HDMI2 and VGA independent outputs provided
- Up to 12 Megapixels resolution recording
- Redundant power supply optional
- Support HDD hot swap with RAID 0, 1, 5, 6, 10, 50, 60 storage scheme configurable
- Support 2 miniSAS Interfaces
- Support 12V power output
- ANR technology to enhance the storage reliability when the network is disconnected
- Support cloud upgrade
- Support N+1 Hot spare

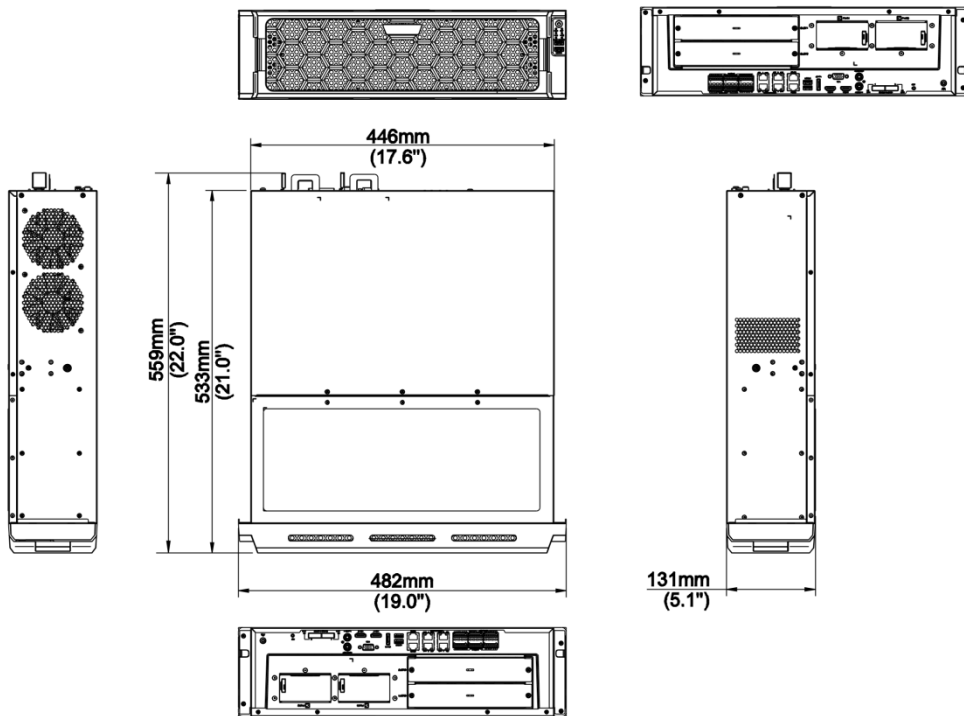
Specifications

Model	NVR816-64	NVR816-128
Decoding		
Decoding Format	Ultra 265, H.265, H.264	
Decoding Capability	3 x 12MP@25, 4 x 4K@30, 16 x 1080P@30, 32 x 960P@25, 36 x 720P@30, 64 x D1	
Decoding Capability Description	The resolution of each channel cannot exceed 4096 pixels in length or width, For VGA/HDMI independent output, the VGA live video is output by default. To output the highest resolution video from the HDMI port, please clear the VGA video on the preview page.	
Audio Compression	G.711A, G.711U	
Network		
Incoming Bandwidth	512 Mbps	
Outgoing Bandwidth	512 Mbps	
Remote Users	128	
Protocols	TCP/IP, P2P, UPnP, NTP, DHCP, PPPoE, HTTP, HTTPS, DNS, DDNS, SNMP, SMTP, NFS, RTSP, 802.1x, IPv6, IPv4	
Browser (Plugin)	IE10, IE11, Chrome 45+, Edge 79+, Firefox 52+	
Video/Audio Input		
IP Video Input	64-ch	128-ch
RCA Audio Input	1-ch	
Video/Audio Output		
HDMI Output	4K (3840 × 2160)/30 Hz, 1920 × 1080/60 Hz, 1920 × 1080/50 Hz, 1600 × 1200/60 Hz, 1280 × 1024/60 Hz, 1280 × 720/60 Hz, 1024 × 768/60 Hz	
VGA Output	1920 × 1080/60 Hz, 1920 × 1080/50 Hz, 1600 × 1200/60 Hz, 1280 × 1024/60 Hz, 1280 × 720/60 Hz, 1024 × 768/60 Hz	
RCA Audio Output	1-ch	
Liveview Display	VGA:1/4/6/8/9/16/25/36, HDMI1/HDMI2:1/4/6/8/9/16/25/36/64	
Corridor Mode Screen	3/4/5/7/9/10/12/16/32	
Two-way Audio		
Two-way Audio	1-ch, RCA (Using the audio input and output)	
Snapshot		
FTP/Schedule/Event Snapshot	Full-ch snapshot (max. 4000 × 3000 video resolution, with snapshot resolution same as the video resolution)	
Recording		
Recording Resolution	12 MP/8 MP/6 MP/5 MP/4 MP/3 MP/1080P/960P/720P/D1/2CIF/CIF	
Synchronous Playback in Local	16-ch	
Smart		
Smart by IPC	All channels (up to 64 images/s in total) Face Detection, Face Comparison, Vehicle Detection (LPR), Temperature Detection, SIP, UMD, Video Metadata, Traffic Monitoring	
Smart by NVR	In the Smart Card datasheet	
VCA Search	Face Snapshot Search, Face Comparison Search, Motor Vehicle Search, Non-Motor Vehicle Search, Human Body Search, General Search, People Counting Report	

by NVR	In the Smart Card datasheet
Vehicle Picture Library	Up to 5 vehicle picture libraries, with up to 25,000 vehicle pictures in total
SIP by NVR with normal cameras	In the Smart Card datasheet
Capacity of Snapshot Records	3 millions records for face snapshot, 3 millions records for vehicle snapshot, 2 millions records for SIP
Alarm	
General Alarm	Defocus Detection, Scene Change Detection, Object Left Behind, Object Removed, Auto Tracking, Motion Detection, Tampering, Human Body Detection, Video Loss, Alarm Input, Audio Detection
Alert Alarm	IP Conflict, Network Disconnected, Disk Offline, Disk Abnormal, Illegal Access, Hard Disk Space Low, Hard Disk Full, Recording/Snapshot Abnormal, High CPU Temperature, High Motherboard Temperature, Array Damaged, Array Degraded
GUI Language	
GUI Language	38 languages: Simplified Chinese, Traditional Chinese, English, Vietnamese, Thai, Turkish, Spanish (Latin America), Portuguese (Brazil), Spanish, Portuguese, French, German, Italian, Dutch, Polish, Czech, Hungarian, Slovak, Russian, Hebrew, Arabic, Ukrainian, Estonian, Bulgarian, Greek, Romanian, Danish, Swedish, Norwegian, Finnish, Croatian, Slovenia, Serbia, Korean, Japanese, Latvian, Lithuanian, Persian
Hard Disk	
SATA	16 SATA Interfaces
Capacity	Up to 24 TB for each HDD (The maximum HDD capacity varies with environment temperature and hard disk size, The environment temperature for use should not exceed 40°C.)
Disk Array Type	RAID 0, 1, 5, 6, 10, 50, 60
Hot Swap	Support
External Interface	
Network Interface	4 RJ45 10 M/100 M/1000 M self-adaptive Ethernet Interface
USB	Front panel: 2 × USB2.0, Rear panel: 2 × USB3.0
RS485	1
RS232	1
Alarm In	24-ch
Alarm Out	8-ch
eSATA	1
miniSAS	2
Extension Board	2
Power Output	12 V
Power Supply	AC 100 to 240 V
Power Switch	Support
Redundant Power Supply	Support
Working Environment	
Working Temperature	-10 °C to 55 °C (14 °F to 131 °F)
Working Humidity	≤ 90% RH (non-condensing)
Power Consumption (without HDD)	≤ 65W

Dimensions	
Weight (without HDD)	≤ 12.5Kg (27.56lb)
Dimensions	482mm × 533mm × 131.0mm (19.0"×21.0"×5.1")
Certification	
Certification	CE; FCC; UL; RoHS; WEEE
CE	EN 55032, EN 61000-3-3, EN IEC 61000-3-2, EN 55035
FCC	Part15 Subpart B

Dimensions



Accessories

FB-HD04-B-NB

4-ch HDMI Output Decoding Card



FB-HD07-B-NB

7-ch HDMI Output Decoding Card

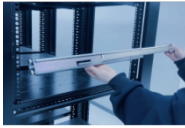


DEU1016-B

16 HDDs 3U Disk Enclosure



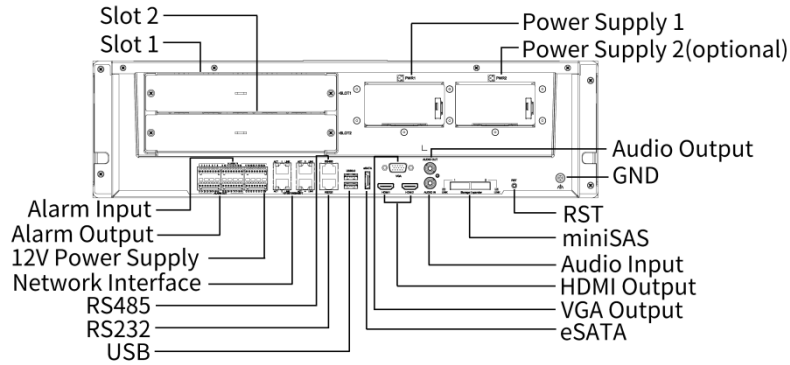
SL-A
Slide Rail



PWR-DC12-350A-IN
350W Power Accessories Module



Rear Panel



Zhejiang Uniview Technologies Co., Ltd.

<http://www.uniview.com>

overseasbusiness@uniview.com; globalsupport@uniview.com

No. 369, Xietong Road, Xixing Sub-district, Binjiang District, Hangzhou City, 310051, Zhejiang Province, China
(Zhejiang) Pilot Free Trade Zone, China



©2023-2025 Zhejiang Uniview Technologies Co., Ltd. All rights reserved.

*Product specifications and availability are subject to change without notice.

*Despite our best efforts, technical or typographical errors may exist in this document.

Uniview cannot be held responsible for any such errors and reserves the right to change the contents of this document without prior notice.