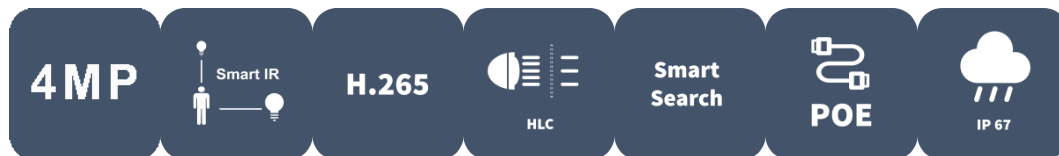


# 4MP Fixed IR Mini Bullet Network Camera

IPC2124LB-SF28(40)-A



## Features

- High quality image with 4MP, 1/3.0"CMOS sensor
- 4MP (2560\*1440)@25/20fps; 3MP (2304\*1296)@25/20fps; 2MP (1920\*1080)@30/25fps; 720P (1280\*720)@30/25fps
- H.265, H.264
- Smart IR, up to 30m (98ft) IR distance
- Day/night functionality
- 2D/3D DNR (Digital Noise Reduction)
- IP67 protection
- DC12V or PoE(IEEE 802.3af) power supply
- 3-Axis

## Specifications

Camera	Description
Max Resolution	4MP
Sensor	1/3.0" CMOS

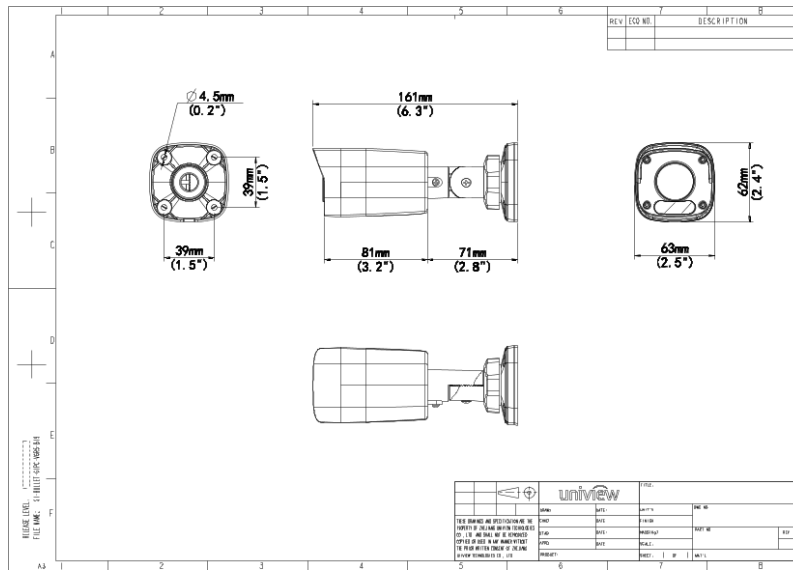
Min. Illumination	Colour: 0.01 lux (F2.1, AGC ON) 0 lux with IR on
Day/Night	IR-cut filter with auto switch (ICR)
Shutter	Auto/Manual, 1 ~ 1/100000s
Adjustment Angle	Pan: 0° ~ 360°, Tilt: 0° ~ 90°, Rotate: 0° ~ 360°
S/N	>52dB
WDR	DWDR
<b>Lens</b>	<b>Description</b>
Focal Length	IPC2124LB-SF28-A:2.8 mm IPC2124LB-SF40-A:4.0 mm
Iris Type	Fixed
Iris	F2.1
Field of View (H)	IPC2124LB-SF28-A:97.0° IPC2124LB-SF40-A:79.0°
Field of View (V)	IPC2124LB-SF28-A:52.2° IPC2124LB-SF40-A:42.3°
Field of View (D)	IPC2124LB-SF28-A:107.5° IPC2124LB-SF40-A:85.1°
<b>DORI</b>	<b>Description</b>
DORI Distance (Lens)	IPC2124LB-SF28-A:2.8mm IPC2124LB-SF40-A:4.0mm
DORI Distance (Detect)	IPC2124LB-SF28-A:63.0m(206.7ft) IPC2124LB-SF40-A:90.0m(295.3ft)
DORI Distance (Observe)	IPC2124LB-SF28-A:25.2m(82.7ft) IPC2124LB-SF40-A:36.0m(118.1ft)
DORI Distance (Recognize)	IPC2124LB-SF28-A:12.6m(41.3ft) IPC2124LB-SF40-A:18.0m(59.1ft)
DORI Distance (Identify)	IPC2124LB-SF28-A:6.3m(20.7ft) IPC2124LB-SF40-A:9.0m(29.5ft)
<b>Illuminator</b>	<b>Description</b>
Supplemental Light	IR
Illumination Distance (IR)	30 m (98.4 ft)

Wavelength	850 nm
IR On/Off Control	Auto/Manual
<b>Video</b>	<b>Description</b>
Video Compression	Ultra 265; H.265; H.264
H.264 Code Profile	Baseline profile, Main profile, High profile
Frame Rate	Main Stream: 4MP (2560*1440), Max 25fps; 3MP(2304*1296), Max 25fps; 2MP(1920*1080), Max 30fps Sub Stream: D1 (720*576), Max 30fps; 640*360, Max 30fps; 2CIF(704*288), Max 30fps; CIF(352*288), Max 30fps
Video Bit Rate	128 Kbps ~ 6144 Kbps
U-code	Support (Main stream)
OSD	Up to 4 OSDs
Privacy Mask	Up to 4 areas
ROI	Support
Video Stream	Dual Streams
<b>Image</b>	<b>Description</b>
White Balance	Auto; Outdoor; Fine Tune; Sodium Lamp; Locked; Auto2
Digital Noise Reduction	2D/3D DNR
Smart IR	Support
Flip	Normal; Flip Vertical; Flip Horizontal; 180°
Dewarping	N/A
HLC	Support
BLC	Support
Defog	Digital Defog
<b>Events</b>	<b>Description</b>
Basic Detection	Motion Detection
General Function	Watermark; IP Address Filtering; Access Policy; ARP Protection; RTSP Authentication; User Authentication; HTTP Authentication
<b>Network</b>	<b>Description</b>
Protocols	IPv4; IGMP; ICMP; ARP; TCP; UDP; DHCP; RTP; RTSP; RTCP; RTMP; DNS; DDNS; NTP; UPnP; HTTP; HTTPS; QoS; SSL/TLS
Compatible Integration	ONVIF (Profile S, Profile T) ; API; SDK

User/Host	Up to 32 users. 3 user levels: administrator, common user and operator
Security	Password Protection; Strong Password; HTTPS Encryption; Export Operation Logs; Basic and Digest Authentication for RTSP; Digest Authentication for HTTP; WSSE and Digest Authentication for ONVIF
Client	UNV-Link; UNV-Link Pro; EZStation
Web Browser	Plug-in required live view: IE 10 and above, Chrome 45 and above, Firefox 52 and above, Edge 79 and above; Plug-in free live view: Chrome 57.0 and above, Firefox 58.0 and above, Edge 16 and above
<b>Interface</b>	<b>Description</b>
Audio I/O	N/A
Alarm I/O	N/A
Serial Port	N/A
Built-in Mic	N/A
Built-in Speaker	N/A
WIFI	N/A
Network	1 x RJ45 10M/100M Base-TX Ethernet
Video Output	N/A
<b>Certification</b>	<b>Description</b>
EMC	CE-EMC (EN 55032, EN 61000-3-3, EN IEC 61000-3-2, EN 55035) FCC (FCC 47 CFR part15 B)
Safety	CE LVD (EN 62368-1) CB (IEC 62368-1) UL/CUL (UL 62368-1, CAN/CSA C22.2 No. 62368-1)
Environment	CE-RoHS (2011/65/EU;(EU)2015/863); WEEE (2012/19/EU);
Protection	IP67 (IEC 60529)
<b>General</b>	<b>Description</b>
Power	DC 12V ±25%, PoE (IEEE 802.3af)
Power Interface	Ø 5.5 mm coaxial power plug
Dimensions	161 × 63 × 62mm (6.4" × 2.5" × 2.4" ) (L x W x H)
Weight	0.31kg(0.68lb)
Material	Graphene + Plastic
Working Environment	-30 °C ~ 60 °C (-22 °F ~ 140 °F), Humidity: ≤95% RH (non-condensing)
Storage Environment	-30 °C ~ 60 °C (-22 °F ~ 140 °F), Humidity: ≤95% RH (non-condensing)

Surge Protection	4KV
Reset Button	N/A
Web Client Language	1 Language English

## Dimensions



## Accessories

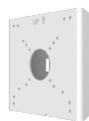
TR-JB05-A-IN

Small Bullet Junction Box(Support wiring from behind,Square)



TR-UP06-C-IN

Pole Mounting Bracket for Bullet Junction Box Only



TR-UP06-B-IN

Bullet Pole Mounting Bracket



TR-A01-IN

NPT 3/4" Waterproof Cable Gland



TR-UC08-C

Bullet&Dome Corner Mounting Bracket



**Zhejiang Uniview Technologies Co., Ltd.**

No. 369, Xietong Road, Xixing Sub-district, Binjiang District, Hangzhou City, 310051, Zhejiang Province, China

Email: [overseasbusiness@uniview.com](mailto:overseasbusiness@uniview.com); [globalsupport@uniview.com](mailto:globalsupport@uniview.com)

<http://www.uniview.com>

©2023-2024 Zhejiang Uniview Technologies Co., Ltd. All rights reserved.

\*Product specifications and availability are subject to change without notice.

\*Despite our best efforts, technical or typographical errors may exist in this document. Uniview cannot be held responsible for any such errors and reserves the right to change the contents of this document without prior notice.