

# 5MP ColorHunter With Smart Dual Light Bullet Analog Camera

UAC-B145-AF28(40)LM-DL



## Overview

UAC-B45-AF28(40)LM-DL is a 5MP ColorHunter with smart dual light bullet analog camera with a high-performance 1/2.7-inch CMOS sensor. It supports TVI/AHD/CVI/CVBS, which effectively enhances product adaptability and diversity of networking solutions. With SYV-75-3 or other coaxial cable types, the camera can achieve low-cost, long-distance, and anti-interference mega-pixel HD video transmission without time delay. The camera also supports audio input and synchronous transmission of audio and video. With UNV XVR, our ColorHunter cameras equipped with Smart Dual Light can intelligently switch between IR and white light when detecting a target or not, offering flexible lighting options and enhancing security.

## Features

- High quality imaging with 5MP resolution
- TVI/AHD/CVI/CVBS
- Supports IR-cut filter with auto-switch (ICR)
- Smart Dual Light (only TVI)
- Supports 180 horizontal flip, 180 vertical flip
- OSD configuration menu, easy to operate
- IP67 waterproof and dustproof design, high reliability
- OSD configuration menu in 11 languages
- Built-in microphone for high quality audio transmission via coaxial cables

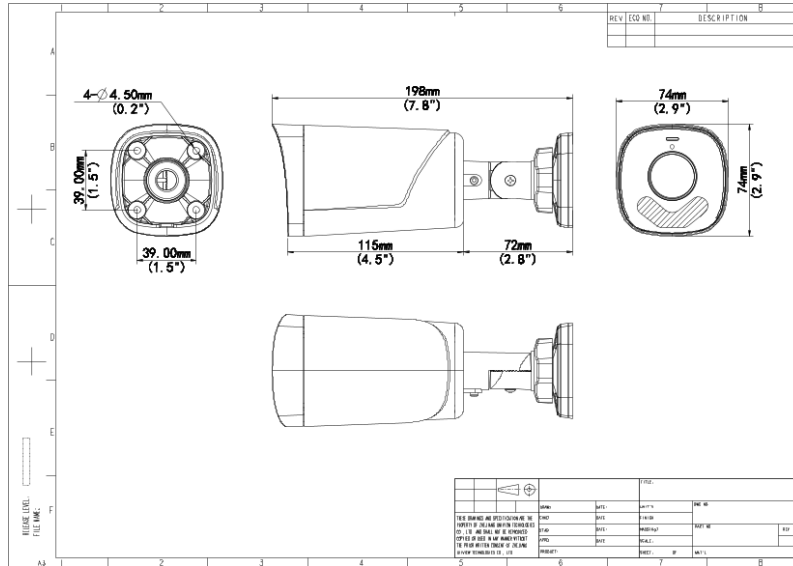
## Specifications

Sensor	Description
Pixel	5MP
Sensor Size	1/2.7" CMOS
Min. Illumination	0.005 lux (F1.6, AGC ON) 0 lux (Illuminator ON)
Lens	Description
Focus	UAC-B145-AF28LM-DL:2.8 mm UAC-B145-AF40LM-DL:4.0 mm
Lens Mount	M12
Angle of View (H)	UAC-B145-AF28LM-DL:110.0° UAC-B145-AF40LM-DL:90.0°
Angle of View (V)	UAC-B145-AF28LM-DL:57.0° UAC-B145-AF40LM-DL:48.0°
Angle of View (D)	UAC-B145-AF28LM-DL:130.0° UAC-B145-AF40LM-DL:109.1°
Illuminator	Description
Illuminator Number	Two IR illuminators; Two white-light illuminators
Illumination Distance	IR: 40m (131.23 ft) White light: 40m (131.23ft)
Lifetime	≥60000 hours
Video	Description
Resolution	5MP@25fps: 2880(H)×1620(V); 5MP@20fps: 2592(H)×1944(V); 5MP@12.5fps: 2592(H)×1944(V) 4MP: 2560(H)×1440(V) 1080P: 1920(H)×1080(V)
Frame Rate	TVI: 5MP@20fps (default), 5MP@12.5fps, 4MP@25fps, 4MP@30fps, 1080P@25fps, 1080P@30fps AHD: 5MP@20fps, 4MP@25fps, 4MP@30fps, 1080P@25fps, 1080P@30fps CVI: 5MP@25fps, 4MP@25fps, 4MP@30fps, 1080P@25fps, 1080P@30fps CVBS: PAL, NTSC
Shutter Time	PAL: 1/25s-1/50000s, NTSC: 1/30s-1/50000s
Image	Description

Exposure Mode	Four modes: Global(default), BLC, HLC, DWDR
Day/Night	Three modes: Auto (default), Day, Night
Digital Noise Reduction	2D
White Balance	Two modes: Auto (default), Manual
WDR	DWDR
Light Mode	Dual light (default) , Infrared, White light
Flip	Supports 180°horizontal flip, 180°vertical flip
<b>Audio</b>	Description
Built-in Mic	Support
Camera Audio	TVI: 5MP@20fps, 5MP@12.5fps, 4MP@25fps, 4MP@30fps, 1080P@25fps, 1080P@30fps CVI: 5MP@25fps, 4MP@25fps, 4MP@30fps
<b>Interface</b>	Description
Power Interface	5.5 mm Power Interface
Video Output	BNC, supports TVI/AHD/CVI/CVBS
<b>Operating Environment</b>	Description
Temperature	-30 °C ~ 60 °C (-22 °F ~ 140 °F)
Humidity	≤95% RH (non-condensing)
Surge Protection	4kV for power&4kV for video output interfaces
<b>General</b>	Description
Power	DC12V ± 25%
Power Consumption	MAX 3.5W
Mount	Corner Mount&Pole Mount
Dimensions	198mm*74mm*74mm (L*W*H)
Material	Metal + Plastic
Weight	UAC-B145-AF28LM-DL:227g (0.50lb) UAC-B145-AF40LM-DL:227g(0.50lb)
OSD Menu Language	11 Languages English, German, Spanish (Latin America), French, Italian, Japanese, Korean, Polish, Portuguese (Brazil), Russian, Turkish
<b>Certification</b>	Description
EMC	CE-EMC (EN 55032, EN 61000-3-3, EN IEC 61000-3-2, EN 55035); FCC (FCC 47 CFR part15 B)
Safety	CE-LVD (EN 62368-1)

Environment	CE-RoHS (2011/65/EU;(EU)2015/863); WEEE (2012/19/EU)
Protection	IP67 (IEC 60529)

## Dimensions



### Zhejiang Uniview Technologies Co., Ltd.

No. 369, Xietong Road, Xixing Sub-district, Binjiang District, Hangzhou City, 310051, Zhejiang Province, China

Email: [overseasbusiness@uniview.com](mailto:overseasbusiness@uniview.com); [globalsupport@uniview.com](mailto:globalsupport@uniview.com)

<http://www.uniview.com>

©2024 Zhejiang Uniview Technologies Co., Ltd. All rights reserved.

\*Product specifications and availability are subject to change without notice.

\*Despite our best efforts, technical or typographical errors may exist in this document. Uniview cannot be held responsible for any such errors and reserves the right to change the contents of this document without prior notice.