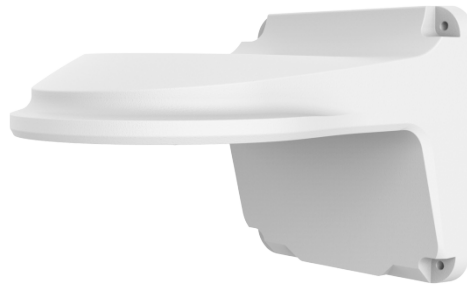


Wall Mounting Bracket for 32 Fix-dome&Mini Fix-dome&Plastic  
Turret Camera

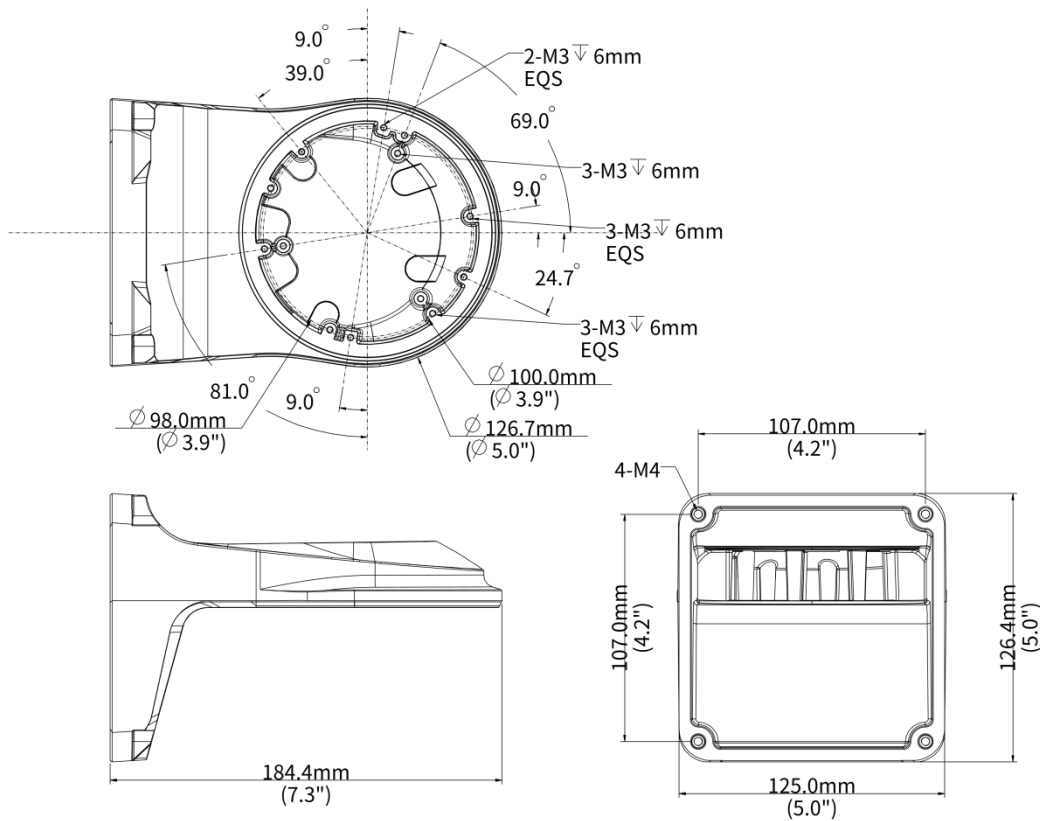
**TR-WM03-D-IN-V2**



# Specifications

<b>Model</b>	TR-WM03-D-IN-V2
<b>Bracket</b>	
<b>Application</b>	Wall installation for 32 Fix-dome&Mini Fix-dome&Plastic Turret Camera
<b>Bracket Dimensions</b>	184.4 mm × 125.0 mm × 126.4 mm (7.3" × 5.0" × 5.0")
<b>Bracket Weight</b>	0.50 kg (1.10 lb)
<b>Bracket Material</b>	Aluminum alloy

# Dimensions



# Unlimited New View

## Zhejiang Uniview Technologies Co., Ltd.

 <http://www.uniview.com>

 [overseasbusiness@uniview.com](mailto:overseasbusiness@uniview.com); [globalsupport@uniview.com](mailto:globalsupport@uniview.com)

 No. 369, Xietong Road, Xixing Sub-district, Binjiang District, Hangzhou City, 310051, Zhejiang Province, China



©2023-2025 Zhejiang Uniview Technologies Co., Ltd. All rights reserved.

\*Product specifications and availability are subject to change without notice.

Despite our best efforts, technical or typographical errors may exist in this document. Uniview cannot be held responsible for any such errors and reserves the right to change the contents of this document without prior notice.