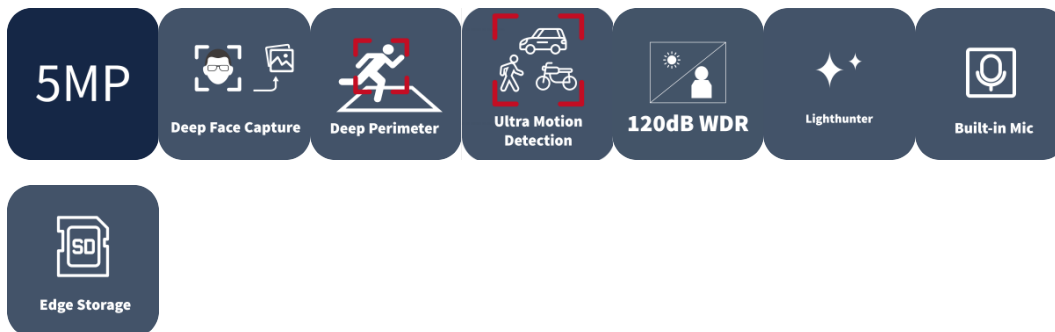


# 5MP HD Intelligent Lighthunter IR Fixed Bullet Network Camera

IPC2125SB-ADF28(40)KM-I0



## Features

- High quality image with 5MP, 1/2.7"CMOS sensor
- 5MP (2880\*1620)@ 30/25fps; 4MP (2560\*1440)@ 30/25fps; 3MP (2304\*1296) @30/25fps; 2MP (1920\*1080) @30/25fps
- Ultra 265, H.265, H.264, MJPEG
- Smart intrusion prevention, include cross line, intrusion, enter area, leave area detection
- Based on target classification, smart intrusion prevention significantly reduce false alarm caused by leaves, birds and lights etc., accurately focus on human and, motor vehicle and non-motor vehicle
- Intelligent
- Intelligent People Flow Counting and Crowd Density Monitoring
- LightHunter technology ensures ultra-high image quality in low illumination environment
- 120dB true WDR technology enables clear image in strong light scene
- Support 9:16 Corridor Mode

- Built-in Mic
- Smart IR, up to 40m (131ft) IR distance
- Supports 512 G Micro SD card
- IP67 protection
- Support PoE power supply

## Specifications

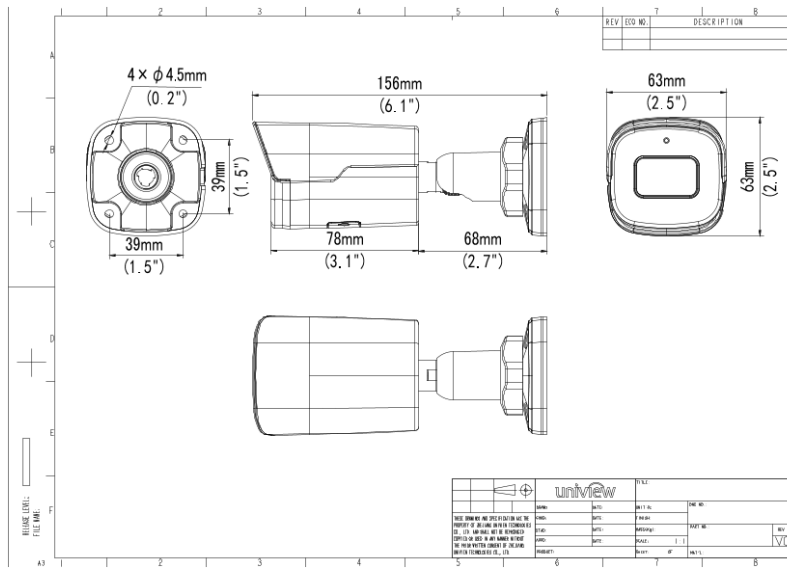
Camera	Description
Max Resolution	5MP
Sensor	1/2.7" CMOS
Min. Illumination	Colour: 0.002 lux ( F1.6, AGC ON) 0 Lux with light
Day/Night	IR-cut filter with auto switch (ICR)
Shutter	Auto/Manual, 1 ~ 1/100000s
Adjustment Angle	Pan: 0° ~ 360°, Tilt: 0° ~ 90°, Rotate: 0° ~ 360°
S/N	>52dB
WDR	120dB
Lens	Description
Focal Length	IPC2125SB-ADF28KM-I0:2.8 mm IPC2125SB-ADF40KM-I0:4.0 mm
Iris Type	Fixed
Iris	F1.6
Field of View (H)	IPC2125SB-ADF28KM-I0:110.0° IPC2125SB-ADF40KM-I0:91.2°
Field of View (V)	IPC2125SB-ADF28KM-I0:58.7° IPC2125SB-ADF40KM-I0:43.7°
Field of View (D)	IPC2125SB-ADF28KM-I0:130° IPC2125SB-ADF40KM-I0:95.3°
Lens Type	Fixed
DORI	Description
DORI Distance (Lens)	IPC2125SB-ADF28KM-I0:2.8mm IPC2125SB-ADF40KM-I0:4.0mm

DORI Distance (Detect)	IPC2125SB-ADF28KM-I0:63.0m(206.7ft) IPC2125SB-ADF40KM-I0:90.0m(295.2ft)
DORI Distance (Observe)	IPC2125SB-ADF28KM-I0:25.2m(82.7ft) IPC2125SB-ADF40KM-I0:36.0m(118.1ft)
DORI Distance (Recognize)	IPC2125SB-ADF28KM-I0:12.6m(41.3ft) IPC2125SB-ADF40KM-I0:18.0m(59.1ft)
DORI Distance (Identify)	IPC2125SB-ADF28KM-I0:6.3m(20.7ft) IPC2125SB-ADF40KM-I0:9.0m(29.5ft)
<b>Illuminator</b>	<b>Description</b>
Supplemental Light	IR
Illumination Distance (IR)	40 m (131.2 ft)
Wavelength	850 nm
Light On/Off Control	Auto/Manual
<b>Video</b>	<b>Description</b>
Video Compression	Ultra 265; H.265; H.264; MJPEG
H.264 Code Profile	Baseline profile, Main profile, High profile
Frame Rate	Main Stream:5MP (2880*1620), Max 30fps; 4MP (2560*1440), Max 30fps; 3MP (2304*1296), Max 30fps; 1080P (1920*1080), Max 30fps; Sub Stream: 720P (1280*720), Max 30fps; D1 (720*576), Max 30fps; 640*360,Max 30fps; Third Stream: D1 (720*576), Max 30fps; 640*360,Max 30fps; 2CIF(704*288), Max 30fps; CIF(352*288), Max 30fps
Video Bit Rate	128 Kbps ~ 16 Mbps
U-code	Support
OSD	Up to 8 OSDs
Privacy Mask	Up to 4 areas
ROI	Support
Video Stream	Triple Streams
<b>Image</b>	<b>Description</b>
White Balance	Auto; Outdoor; Fine Tune; Sodium Lamp; Locked; Auto2
Digital Noise Reduction	2D/3D DNR
Smart IR	Support
Flip	Normal; Flip Vertical; Flip Horizontal; 180°; 90°Clockwise; 90°Anti-clockwise
Dewarping	N/A

HLC	Support
BLC	Support
Defog	Digital Defog
<b>Intelligent</b>	Description
Smart Intrusion Prevention	Cross line detection, Intrusion detection, Enter area detection, Leave area detection (support false alarm filtering and the classification of human, non-motor vehicle and vehicle)
Statistical Analysis	N/A
People Counting	Support People Flow Counting and Crowd Density Monitoring
<b>Events</b>	Description
Basic Detection	Motion Detection; Ultra Motion Detection; Tampering Alarm; Audio Detection
General Function	Watermark; IP Address Filtering; Access Policy; ARP Protection; RTSP Authentication; User Authentication; HTTP Authentication
<b>Audio</b>	Description
Audio Compression	G.711U; G.711A
Audio Bitrate	64 Kbps
Two-way Audio	N/A
Suppression	Support
Sampling Rate	8 KHz
<b>Storage</b>	Description
Edge Storage	Micro SD, up to 512 GB
Network Storage	ANR; NAS (NFS)
<b>Network</b>	Description
Protocols	IPv4; IPv6; IGMP; ICMP; ARP; TCP; UDP; DHCP; RTP; RTSP; RTCP; RTMP; DNS; DDNS; NTP; FTP; UPnP; HTTP; HTTPS; SMTP; SSL/TLS; 802.1x; SNMP; PPPoE
Compatible Integration	ONVIF (Profile S, Profile G, Profile T, Profile M); API; SDK
User/Host	Up to 32 users. 3 user levels: administrator, common user and operator
Security	Password Protection; Strong Password; HTTPS Encryption; Export Operation Logs; Basic and Digest Authentication for RTSP; Digest Authentication for HTTP; TLS 1.2; WSSE and Digest Authentication for ONVIF
Client	UNV-Link; UNV-Link Pro; EZStation
Web Browser	Plug-in required live view: IE 10 and above, Chrome 45 and above, Firefox 52 and above, Edge 79 and above; Plug-in free live view: Chrome 57.0 and above, Firefox 58.0 and above,

	Edge 16 and above
<b>Interface</b>	<b>Description</b>
Audio I/O	N/A
Alarm I/O	N/A
Serial Port	N/A
Built-in Mic	Support
Built-in Speaker	N/A
WIFI	N/A
Network	1 x RJ45 10M/100M Base-TX Ethernet
Video Output	N/A
<b>Certification</b>	<b>Description</b>
EMC	CE-EMC (EN 55032, EN 61000-3-3, EN IEC 61000-3-2, EN 55035) FCC (FCC 47 CFR part15 B)
Safety	CE LVD (EN 62368-1) CB (IEC 62368-1) UL/CUL (UL 62368-1, CAN/CSA C22.2 No. 62368-1)
Environment	CE-RoHS (2011/65/EU;(EU)2015/863); WEEE (2012/19/EU)
Protection	IP67 (IEC 60529)
<b>General</b>	<b>Description</b>
Power	DC 12V ±25%, PoE (IEEE 802.3af)
Power Consumption	Max 5.0W
Power Interface	Ø 5.5 mm coaxial power plug
Dimensions	156 × 63 × 63mm (6.1" × 2.5" × 2.5" ) (L x W x H)
Weight	0.42kg (0.93lb)
Material	Metal
Working Environment	-30 °C ~ 60 °C (-22 °F ~ 140 °F), Humidity: ≤95% RH (non-condensing)
Storage Environment	-30 °C ~ 60 °C (-22 °F ~ 140 °F), Humidity: ≤95% RH (non-condensing)
Surge Protection	4KV
Reset Button	Support
Web Client Language	20 Languages Traditional Chinese, English, Simplified Chinese, Polish, German, Russian, French, Korean, Dutch, Czech, Portuguese (Europe), Portuguese (Brazil), Japanese, Thai, Turkish, Spanish (Latin America), Spanish (Europe), Hungarian, Italian, Vietnamese

## Dimensions



## Accessories

TR-JB05-A-IN

Small Bullet Junction Box(Support wiring from behind,Square)



TR-UC08-C

Bullet&Dome Corner Mounting Bracket



TR-A01-IN

NPT 3/4" Waterproof Cable Gland



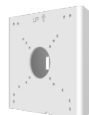
TR-UP06-B-IN

Bullet Pole Mounting Bracket



TR-UP06-C-IN

Pole Mounting Bracket for Bullet Junction Box Only



**Zhejiang Uniview Technologies Co., Ltd.**

No. 369, Xietong Road, Xixing Sub-district, Binjiang District, Hangzhou City, 310051, Zhejiang Province, China (Zhejiang) Pilot Free Trade Zone, China

Email: [overseasbusiness@uniview.com](mailto:overseasbusiness@uniview.com); [globalsupport@uniview.com](mailto:globalsupport@uniview.com)

<http://www.uniview.com>

©2023-2024 Zhejiang Uniview Technologies Co., Ltd. All rights reserved.

\*Product specifications and availability are subject to change without notice.

\*Despite our best efforts, technical or typographical errors may exist in this document. Uniview cannot be held responsible for any such errors and reserves the right to change the contents of this document without prior notice.