

# 4MP HD Intelligent LightHunter IR Fixed Eyeball Network Camera

IPC3614SS-ADF28(40)K-I1



## Features

- High quality image with 4MP, 1/3" CMOS sensor
- 4MP (2688\*1520)@ 30/25(default)fps; 4MP (2560\*1440)@ 30/25fps; 3MP (2304\*1296) @ 30/25fps; 2MP (1920\*1080) @30/25fps
- Ultra 265, H.265, H.264, MJPEG
- Intelligent perimeter protection, include cross line, intrusion, enter area, leave area detection
- Based on target classification, smart intrusion prevention significantly reduce false alarm caused by leaves, birds and lights etc., accurately focus on human and, motor vehicle and non-motor vehicle
- Intelligent People Flow Counting and Crowd Density Monitoring
- Smart intrusion prevention with Color retrieval
- Auto Scene Match (ASM) (Only WDR)
- LightHunter technology ensures ultra-high image quality in low illumination environment
- 130dB true WDR technology enables clear image in strong light scene
- Support 9:16 Corridor Mode
- Built-in Mic
- Smart IR, up to 40m (131ft) IR distance
- Supports 512 G Micro SD card
- IP67 protection

## Specifications

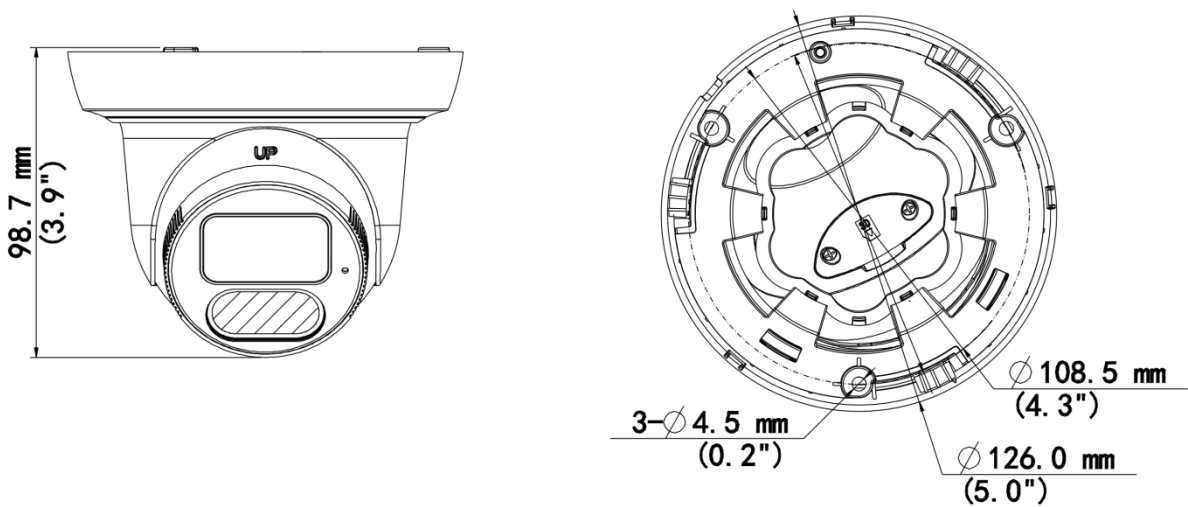
| Model                      | IPC3614SS-ADF28K-I1                                  | IPC3614SS-ADF40K-I1 |
|----------------------------|--|---------------------|
| <b>Camera</b>              |  |                     |
| Max Resolution             | 4 MP   |                     |
| Sensor                     | 1/3.0" CMOS  |                     |
| Min. Illumination          | Colour: 0.002 lux (F1.6, AGC ON)<br>0 lux with IR on |                     |
| Day/Night                  | IR-cut filter with auto switch (ICR)                 |                     |
| Shutter                    | Auto/Manual, 1 ~ 1/100000s                           |                     |
| Adjustment Angle           | Pan: 0° ~ 360°, Tilt: 0° ~ 75°, Rotate: 0° ~ 360°    |                     |
| S/N                        | >52 dB   |                     |
| WDR                        | 130 dB   |                     |
| <b>Lens</b>                |  |                     |
| Focal Length               | 2.8 mm   | 4.0 mm              |
| Iris Type                  | Fixed  |                     |
| Iris                       | F1.6   |                     |
| Field of View (H)          | 97.68°   | 81.39°              |
| Field of View (V)          | 52.67°   | 43.36°              |
| Field of View (D)          | 102.52°  | 86.91°              |
| <b>DORI</b>                |  |                     |
| DORI Distance (Lens)       | 2.8mm  | 4.0mm               |
| DORI Distance (Detect)     | 63.0m(206.7ft)                                       | 90.0m(295.3ft)      |
| DORI Distance (Observe)    | 25.2m(82.7ft)  | 36.0m(118.1ft)      |
| DORI Distance (Recognize)  | 12.6m(41.3ft)  | 18.0m(59.1ft)       |
| DORI Distance (Identify)   | 6.3m(20.7ft)   | 9.0m(29.5ft)        |
| <b>Illuminator</b>         |  |                     |
| Supplemental Light         | IR   |                     |
| Illumination Distance (IR) | 40 m (131.2 ft)                                      |                     |
| IR On/Off Control          | Auto/Manual  |                     |
| Wavelength                 | 850 nm   |                     |
| <b>Video</b>               |  |                     |
| Video Compression          | Ultra 265, H.265, H.264, MJPEG                       |                     |
| H.264 Code Profile         | Baseline profile, Main profile, High profile         |                     |

|                            |  |
|----------------------------|--|
| Frame Rate                 | Main Stream: 4MP (2688*1520), Max 30fps; 4MP (2560*1440), Max 30fps; 3MP (2304*1296), Max 30fps; 1080P (1920*1080), Max 30fps;<br>Sub Stream: 1080P (1920*1080), Max 30fps; 720P (1280*720), Max 30fps; D1 (720*576), Max 30fps; 640*360, Max 30fps; 2CIF(704*288), Max 30fps; CIF(352*288), Max 30fps;<br>Third Stream: D1 (720*576), Max 30fps; 640*360, Max 30fps; 2CIF(704*288), Max 30fps; CIF(352*288), Max 30fps; |
| Video Bit Rate             | 128 Kbps to 16 Mbps  |
| U-code                     | Support  |
| OSD                        | Up to 8 OSDs   |
| Privacy Mask               | Up to 4 areas  |
| ROI                        | Support  |
| Video Stream               | Triple Streams   |
| <b>Image</b>               |  |
| Auto Scene Match (ASM)     | Support (Only WDR)   |
| White Balance              | Auto, Outdoor, Fine Tune, Sodium Lamp, Locked, Auto2   |
| Digital Noise Reduction    | 2D/3D DNR  |
| Smart IR                   | Support  |
| Flip                       | Normal, Flip Vertical, Flip Horizontal, 180°, 90° Clockwise, 90° Anti-clockwise  |
| Dewarping                  | N/A  |
| HLC                        | Support  |
| BLC                        | Support  |
| Defog                      | Digital Defog  |
| <b>Intelligent</b>         |  |
| Smart Intrusion Prevention | Cross line detection, intrusion detection, enter area detection, leave area detection (support false alarm filtering and the classification of human, non-motor vehicle and vehicle)   |
| Statistical Analysis       | N/A  |
| People Counting            | Support People Flow Counting and Crowd Density Monitoring  |
| Attribute Collection       | SIP with color retrieval   |
| <b>Events</b>              |  |
| Basic Detection            | Motion Detection, Ultra Motion Detection, Tampering Alarm, Audio Detection, Object Removed, Object Left Behind   |
| General Function           | Watermark, IP Address Filtering, Access Policy, ARP Protection, RTSP Authentication, User Authentication, HTTP Authentication  |
| <b>Audio</b>               |  |
| Audio Compression          | G.711U, G.711A   |
| Audio Bitrate              | 64 Kbps  |
| Two-way Audio              | Support  |
| Suppression                | Support  |
| Sampling Rate              | 8 kHz  |
| <b>Storage</b>             |  |

|                        |  |
|------------------------|--|
| Edge Storage           | Micro SD, up to 512 GB   |
| Network Storage        | ANR, NAS (NFS)   |
| <b>Network</b>         |  |
| Protocols              | IPv4, IPv6, IGMP, ICMP, ARP, TCP, UDP, DHCP, PPPoE, RTP, RTSP, RTCP, RTMP, DNS, DDNS, NTP, FTP, UPnP, HTTP, HTTPS, SMTP, 802.1x, SNMP, QoS, SSL/TLS, SSH   |
| Compatible Integration | ONVIF (Profile S, Profile G, Profile T), API, SDK  |
| User/Host              | Up to 32 users. 3 user levels: administrator, common user and operator   |
| Security               | Password Protection, Strong Password, HTTPS Encryption, Export Operation Logs, Basic and Digest Authentication for RTSP, Digest Authentication for HTTP, TLS 1.2, WSSE and Digest Authentication for ONVIF |
| Client                 | UNV-Link, UNV-Link Pro, EZStation  |
| Web Browser            | Plug-in required live view: IE 10+, Chrome 45+, Firefox 52+, Edge 79+, Plug-in free live view: Chrome 57+, Firefox 58+, Edge 16+   |
| <b>Interface</b>       |  |
| Audio I/O              | N/A  |
| Alarm I/O              | N/A  |
| Serial Port            | N/A  |
| Built-in Mic           | Support  |
| Built-in Speaker       | N/A  |
| WIFI                   | N/A  |
| Network                | 1 × RJ45 10 M/100 M Base-TX Ethernet   |
| Video Output           | N/A  |
| <b>Certification</b>   |  |
| EMC                    | CE-EMC (EN 55032, EN 61000-3-3, EN IEC 61000-3-2, EN 50130)<br>FCC (FCC 47 CFR part15 B)   |
| Safety                 | CE-LVD (EN 62368-1)<br>CB (IEC 62368-1)<br>UL/CUL (UL 62368-1, CAN/CSA C22.2 No. 62368-1)  |
| Environment            | CE-RoHS (2011/65/EU;(EU)2015/863); WEEE (2012/19/EU)   |
| Protection             | IP67 (IEC 60529)   |
| <b>General</b>         |  |
| Power                  | DC 12V±25%, PoE (IEEE 802.3af)   |
| Power Consumption      | Max 6.5W   |
| Power Interface        | Ø5.5 mm coaxial power plug   |
| Dimensions             | Ø129 x 110mm (Ø5.1" x 4.3") (Ø x H)  |
| Weight                 | 0.43kg (0.95lb)  |
| Material               | Metal + Plastic  |
| Working Environment    | -30 °C to 60 °C (-22 °F to 140 °F), Humidity: ≤ 95% RH (non-condensing)  |
| Storage Environment    | -30 °C to 60 °C (-22 °F to 140 °F), Humidity: ≤ 95% RH (non-condensing)  |
| Surge Protection       | 4 KV   |

|                     |   |
|---------------------|---|
| Reset Button        | N/A   |
| Web Client Language | 20 Languages: Traditional Chinese, English, Simplified Chinese, Polish, German, Russian, French, Korean, Dutch, Czech, Portuguese (Europe), Portuguese (Brazil), Japanese, Thai, Turkish, Spanish (Latin America), Spanish (Europe), Hungarian, Italian, Vietnamese |

## Dimensions



## Accessories

TR-JB03-H-IN

Junction Box for Metal Turret Camera(Support wiring from behind)



TR-JB07/WM03-F-IN

Wall Mounting Assembling Bracket with Back Hole for 3 Inch Hemisphere



TR-WM03-B-IN

Wall Mounting Assembling Bracket for 3 Inch Hemisphere



**TR-A01-IN**

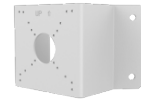
NPT 3/4" Waterproof Cable Gland


**TR-UP06-IN**

Universal Pole Mounting Bracket


**TR-UC08-C**

Bullet&amp;Dome Corner Mounting Bracket


**TR-SE24-IN**

Dome Pendant Mounting Pole 200mm


**TR-SE24-A-IN**

Dome Pendant Mounting Pole 500mm


**TR-CM24-IN**

Dome Pendant Mounting Bracket(Indoor)


**Zhejiang Uniview Technologies Co., Ltd.**

No. 369, Xietong Road, Xixing Sub-district, Binjiang District, Hangzhou City, 310051, Zhejiang Province, China (Zhejiang) Pilot Free Trade Zone, China

Email: [overseasbusiness@uniview.com](mailto:overseasbusiness@uniview.com); [globalsupport@uniview.com](mailto:globalsupport@uniview.com)

<http://www.uniview.com>

©2024-2025 Zhejiang Uniview Technologies Co., Ltd. All rights reserved.

\*Product specifications and availability are subject to change without notice.

\*Despite our best efforts, technical or typographical errors may exist in this document. Uniview cannot be held responsible for any such errors and reserves the right to change the contents of this document without prior notice.