

4MP+4MP LightHunter Dual-lens Network PTZ Camera IPC94144SR-X25-F40C



Features

- Fixed camera and PTZ camera integration, dual-channel with one IP, provides overall view and detailed view at the same time
- High quality image with 4 MP, 1/2.7" CMOS sensor
- Ultra 265, H.265, H.264, MJPEG
- 25X optical zoom of PTZ channel allows for closer viewing of subjects
- Smart intrusion prevention, supports false alarm filtering, including cross line, intrusion, enter area, leave area detection
- automatic selection of best snapshots, supports face detection masked area
- People counting, supports people flow counting and crowd density monitoring, suitable for different statistical scenarios
- PTZ channel can be linked to fixed channel's smart intrusion prevention to track the objects triggering the rule
- Supports sound and light warning, makes warning and alarming more noticeable
- LightHunter technology ensures ultra-high image quality in low illumination environment
- DC 12 V, PoE+ (IEEE 802.3at) power supply
- Alarm I/O: 2/1, audio I/O: 1/1

Specifications

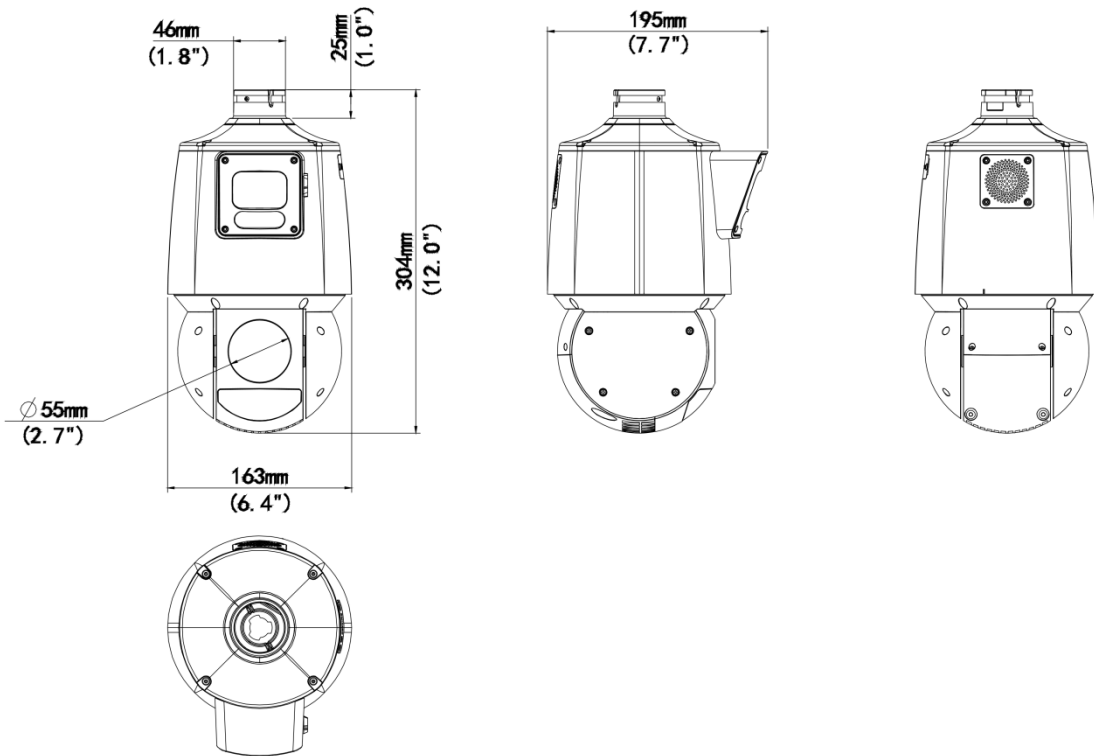
| Channel | Channel 1 (Panorama) | Channel 2 (Detail) |
|---------------------------|--|---|
| Camera | | |
| Sensor | 1/2.7" CMOS | |
| Min. Illumination | Color: 0.0005 Lux (F1.0, AGC ON), 0 lux with IR | Color: 0.003 Lux (F1.5, AGC ON), 0 lux with IR |
| Day/Night | IR-cut filter with auto switch (ICR) | |
| Shutter | Auto/Manual, 1 to 1/100000 s | |
| WDR | 120 dB | |
| S/N | >56 dB | |
| Lens | | |
| Focal Length | 4.0 mm | 4.8 to 120 mm |
| Iris | F1.6 | F1.5 to F3.8 |
| Field of View (H) | 91.3° | 55.46° to 3.09° |
| Field of View (V) | 46.7° | 32.94° to 1.73° |
| Field of View (D) | 112.3° | 68.22° to 3.65° |
| DORI | | |
| DORI Distance (Detect) | 90.0 m (295.3 ft.) | 123.8 m to 2475.0 m (406.0 ft. to 8120.1 ft.) |
| DORI Distance (Observe) | 36.0 m (118.1 ft.) | 49.5 m to 990.0 m (162.4 ft. to 3248.0 ft.) |
| DORI Distance (Recognize) | 18.0 m (59.1 ft.) | 24.8 m to 495.0 m (81.4 ft. to 1624.0 ft.) |
| DORI Distance (Identify) | 9.0 m (29.5 ft.) | 12.4 m to 247.5 m (40.6 ft. to 812.0 ft.) |
| Video | | |
| Privacy Mask | Up to 4 areas | 24 areas, up to 4 areas per scene |
| Frame Rate-Main Stream | 4 MP (2688 × 1520)@25 fps (Default) 4 MP (2688 × 1520), max. 30 fps; 4 MP (2560 × 1440), max. 30 fps; 1080P (1920 × 1080), max. 30 fps; 720P (1280 × 720), max. 30 fps; D1 (720 × 576), max. 30 fps; 640 × 360, max. 30 fps; | |
| Frame Rate-Sub Stream | 720P (1280 × 720), max. 30 fps; D1 (720 × 576), max. 30 fps; 640 × 360, max. 30 fps | 1080P (1920 × 1080), max. 30 fps; 720P (1280 × 720), max. 30 fps; D1 (720 × 576), max. 30 fps; 640 × 360, max. 30 fps |
| Frame Rate-Third Stream | D1 (720 × 576), max. 30 fps; 640 × 360, max. 30 fps; 2CIF (704 × 288), max. 30 fps; CIF (352 × 288), max. 30 fps | |
| Video Compression | Ultra 265, H.265, H.264, MJPEG | |
| Frame Rate | Main Stream: 4 MP (2688 × 1520), max. 30 fps; Sub Stream: 720P (1280 × 720), max. 30 fps; Third Stream: D1 (720 × 576), max. 30 fps | Main Stream: 4 MP (2688 × 1520), max. 30 fps; Sub Stream: 1080P (1920 × 1080), max. 30 fps; Third Stream: D1 (720 × 576), max. 30 fps |
| Frame Rate Recommendation | 2688 × 1520@30 fps + 720P@30 fps + D1@16 | 2688 × 1520@30 fps + 1080P@30 fps + D1@16 |

| | | |
|----------------------------|--|---|
| | fps 2688 × 1520@30 fps + 720P@25 fps + D1@30 fps 2688 × 1520@25 fps + 720P@25 fps + D1@25 fps 2560 × 1440@30 fps + 720P@30 fps + D1@30 fps 2560 × 1440@30 fps + 720P@25 fps + D1@30 fps 2560 × 1440@25 fps + 720P@25 fps + D1@25 fps 1080P@30 fps + 720P@30 fps + D1@30 fps 1080P@25 fps + 720P@25 fps + D1@25 fps | fps 2688 × 1520@30 fps + 1080P@25 fps + D1@30 fps 2688 × 1520@25 fps + 1080P@25 fps + D1@25 fps 2560 × 1440@30 fps + 1080P@30 fps + D1@30 fps 2560 × 1440@30 fps + 1080P@25 fps + D1@30 fps 2560 × 1440@25 fps + 1080P@25 fps + D1@25 fps 1080P@30 fps + 1080P@30 fps + D1@30 fps 1080P@25 fps + 1080P@25 fps + D1@25 fps |
| Video Bit Rate | 128 Kbps to 16 Mbps | |
| U-code | Support | |
| ROI | Support | |
| Video Stream | Triple streams | |
| OSD | Up to 8 OSDs | |
| Intelligent | | |
| Linkage Function | Support. Triggered by fixed lens via smart intrusion prevention function to track target | N/A |
| Smart Intrusion Prevention | Cross line detection, intrusion detection, enter area detection, leave area detection (support false alarm filtering and the classification of human, non-motor vehicle and vehicle) | |
| People Counting | Support people flow counting and crowd density detection | |
| Exception Detection | Object Left Behind, Object removed, Scene change | Object Left Behind, Object removed |
| Image | | |
| White Balance | Auto, Outdoor, Fine tune, Sodium lamp, Locked, Auto2 | |
| Digital Noise Reduction | 2D/3D DNR | |
| Flip | Normal, Flip vertical, Flip horizontal, 180° | |
| HLC | Support | |
| BLC | Support | |
| Smart IR | Support | |
| Defog | Digital defog | |
| Heatwave Reduction | Support | |
| Illuminator | | |
| Light On/Off Control | Auto/Manual | |
| Wavelength | 850 nm | |
| Illumination Distance (IR) | 30 m (98.4 ft.) | 100 m (328.1 ft.) |
| Supplemental Light | IR | |
| Events | | |
| Basic Detection | Motion detection, Audio detection, Tampering alarm | |
| General Function | Watermark, IP address filtering, Access policy, ARP protection, RTSP authentication, User | |

| | | |
|------------------------------|---|---|
| | authentication, Alarm input, Alarm output | |
| UMD (Ultra Motion Detection) | Support | |
| Audio | | |
| Audio Compression | G.711U, G.711A | |
| Audio Bitrate | 128 Kbps | |
| Two-way Audio | Support | |
| Suppression | Support | |
| Sampling Rate | 16 kHz | |
| Storage | | |
| Edge Storage | MicroSD, up to 512 GB | |
| Network Storage | ANR | |
| Network | | |
| Protocols | SSH, IGMP, RTP, RTCP, SMTP, IPv4, IPv6, ICMP, ARP, TCP, UDP, DHCP, PPPoE, RTSP, RTMP, DNS, DDNS, NTP, FTP, UPnP, HTTP, HTTPS, 802.1x, SNMP, QoS, SSL/TLS | |
| Compatible Integration | ONVIF (Profile S, Profile G, Profile T, Profile M), API, SDK | |
| User/Host | Up to 32 users. 3 user levels: administrator, common user and operator | |
| Security | TLS 1.3, Password Protection, Strong Password, HTTPS Encryption, Export Operation Logs, Basic and Digest Authentication for RTSP, Digest Authentication for HTTP, TLS 1.2, WSSE and Digest Authentication for ONVIF | Password Protection, Strong Password, HTTPS Encryption, Export Operation Logs, Basic and Digest Authentication for RTSP, Digest Authentication for HTTP, TLS 1.2, WSSE and Digest Authentication for ONVIF, TLS 1.3 |
| Client | EZStation, UNV-Link, UNV-Link Pro | |
| Web Browser | Plug-in required live view: IE 10+, Chrome 45+, Firefox 52+, Edge 79+ | |
| PTZ | | |
| Number of Presets | N/A | 1024 |
| Preset Patrol | N/A | 16 patrols, up to 64 presets for each patrol |
| Route Patrol | N/A | 16 patrols, up to 32 actions for each patrol |
| Recorded Patrol | N/A | 16 patrols, up to 128 actions for each patrol |
| Patrol Stay Time | 15 s to 1800 s | |
| Preset Image Freeze | N/A | |
| Home Position | N/A | Support |
| Number of Presets (IPC) | N/A | 1024 |
| Pan Range | N/A | 360° |
| Tilt Range | 18°±5° | -15° to 90° |
| Pan Speed | N/A | 0.1°/s to 80°/s |
| Tilt Speed | N/A | 0.1°/s to 80°/s |
| Interface | | |
| Audio I/O | 1 Input: impedance 1 kΩ, amplitude 2.5 V [p-p], 1 Output: impedance 600 Ω, amplitude 2.5 V [p-p] | |
| Alarm I/O | 2/1 | |
| Serial Port | 1 × RS485 | |
| Built-in Mic | N/A | |
| Built-in Speaker | Support | |

| | |
|----------------------|---|
| WIFI | N/A |
| Network | 1 × RJ45 10 M/100 M Base-TX Ethernet |
| Video Output | N/A |
| Certification | |
| EMC | CE-EMC (EN 55032: 2015+A1: 2020, EN 61000-3-3: 2013+A1: 2019, EN IEC 61000-3-2: 2019+A1: 2021, EN 55035: 2017+A11: 2020) FCC (FCC CFR 47 part15 B, ANSI C63.4-2014) |
| Safety | CE LVD (EN 62368-1: 2014+A11: 2017) UL (UL 62368-1, 2nd Ed , Issue Date: 2014-12-01) |
| Environment | CE-RoHS (2011/65/EU; (EU) 2015/863) |
| Protection | IP66 (IEC 60529 : 1989+AMD1: 1999+AMD2: 2013) |
| General | |
| Power | DC 12 V (±25%), PoE+ (IEEE 802.3at) |
| Power Consumption | Max. 24 W |
| Power Interface | Ø5.5 mm coaxial power plug |
| Dimensions | 304 mm × 195 mm × 163 mm (12.0" × 7.7" × 6.4") (L × W × H) |
| Weight | 2.27 kg (5.00 lb.) |
| Working Environment | -40 °C to 65 °C (-40 °F to 149 °F), Humidity: ≤ 95% RH (non-condensing) |
| Storage Environment | -40 °C to 70 °C (-40 °F to 158 °F), Humidity: ≤ 95% RH (non-condensing) |
| Surge Protection | 4 KV |
| Reset Button | Support |
| Web Client Language | 22 Languages: Traditional Chinese, English, Simplified Chinese, Polish, German, Russian, French, Korean, Dutch, Czech, Portuguese (Europe), Portuguese (Brazil), Japanese, Thai, Turkish, Spanish (Latin America), Spanish (Europe), Hungarian, Italian, Vietnamese, Arabic, Slovak |
| Configurable | |
| P/N | Support |

Dimensions



Accessories

TR-UF45-A-IN

Dome Indoor Ceiling Mounting Pedestal



TR-SE45-A-IN

Dome Ceiling Mounting Pole 500



TR-SE45-IN

Dome Ceiling Mounting Pole 200



TR-CE45-IN

Dome Indoor Ceiling Mounting Bracket



TR-WE45-IN

Dome Wall Mounting Bracket



TR-WE45-A-IN

Long Wall Mounting Bracket for Dome



TR-WE45-B-IN
Dome Gooseneck Bracket



TR-JB12-IN
Dome Junction Box



TR-UP08-A-IN
Dome Pole Mounting Bracket



TR-UP08-B-IN
Aluminium Alloy Pole Mounting Bracket



TR-UC08-A-IN
Dome Corner Mounting Bracket



TR-UC08-B-IN
Aluminium Alloy Corner Mounting Bracket



Unlimited New View

浙江宇视科技有限公司

 <http://www.uniview.com>

 overseasbusiness@uniview.com; globalsupport@uniview.com

 South Tower, Building 10, Wanlun Science Park, 88 Jiangling Road, Hangzhou, P.R.China



©2023-2025 Zhejiang Uniview Technologies Co., Ltd. All rights reserved.

*Product specifications and availability are subject to change without notice.

虽然我司试图在本资料中提供准确的信息，但不保证资料的内容不含有技术性误差或印刷性错误，为此我司对本资料中的不准确不承担任何责任。我司保留在没有通知或提示的情况下对本资料的内容进行修改的权利。