

WiFi NVR Kit

KIT/NVR301-08S4-LW/8*IPC2122LB-AF28WK-WF



Features

- **NVR301-08S4-LW**
 - 8-channel input
 - Up to 8MP resolution recording
 - Embedded WiFi Module with high-performance and high stability
 - Support CCMP encryption and WPA2-PSK authentication, Support IP cameras with WiFi in access
 - Support Ultra 265/H.265/H.264 video formats
 - Support 1-ch HDMI, 1-ch VGA
 - Support cloud upgrade
 - Support mainstream cameras of ONVIF conformance (Profile S, Profile G, Profile T) and RTSP protocols
 - 1 SATA HDD, Up to 10TB for each HDD
- **IPC2122LB-AF28WK-WF**
 - High quality image with 2MP, 1/3.0" CMOS sensor
 - 2MP (1920*1080)@25fps; 720P (1280*720)@25fps
 - Ultra 265, H.265, H.264
 - Built in Mic
 - Smart IR, up to 30m (98ft) IR distance
 - Supports 512 G Micro SD card
 - IP67 protection
 - 3 Axis

Specifications

- **NVR301-08S4-LW**

Model	NVR301-08S4-LW
Decoding	
Decoding Format	Ultra 265, H.265, H.264
Decoding Capability	1 x 8MP@30, 2 x 5MP@25, 3 x 4MP@25, 4 x 3MP@25, 6 x 1080P@30, 8 x 720P@30
Decoding Capability Description	The resolution of each channel cannot exceed 3840 pixels in length and 2160 pixels in width
Audio Compression	G.711A, G.711U
Network	
Incoming Bandwidth	64 Mbps
Outgoing Bandwidth	48 Mbps
Max Users Can Be Added	32
Remote Users	128
Protocols	TCP/IP, P2P, SMTP, RTSP, UPnP, NTP, DHCP, PPPoE, HTTP, HTTPS, DNS, DDNS, IPv4
Browser (Plugin)	IE10, IE11, Chrome 45+, Edge 79+, Firefox 52+
Video/Audio Input	
IP Video Input	8-ch
Video/Audio Output	
Video Output	Support 1-ch HDMI, 1-ch VGA, HDMI and VGA simultaneous output
HDMI Output	4K (3840 × 2160)/30 Hz, 1920 × 1080/60 Hz, 1920 × 1080/50 Hz, 1600 × 1200/60 Hz, 1280 × 1024/60 Hz, 1280 × 720/60 Hz, 1024 × 768/60 Hz
VGA Output	1920 × 1080/60 Hz, 1920 × 1080/50 Hz, 1600 × 1200/60 Hz, 1280 × 1024/60 Hz, 1280 × 720/60 Hz, 1024 × 768/60 Hz
HDMI Standard	HDMI2.0
3.5mm Audio Output	1-ch
Liveview Display	1/4/6/8/9
Default Num of Live Screen	9
Corridor Mode Screen	3/4/5/7/9
Playback Screen	1/4/9
Two-way Audio	
Two-way Audio	N/A
Snapshot	
FTP/Schedule/Event Snapshot	1-ch snapshot (max. D1 (720 × 576) video resolution, with D1 snapshot resolution)
Recording	
Recording Resolution	8 MP/6 MP/5 MP/4 MP/3 MP/1080P/960P/720P/D1/2CIF/CIF
Num of Concurrent Playback	16-ch
Synchronous Playback in Local	8-ch
Smart Function	
VCA Detection by IPC	Face Detection, SIP (Intrusion Detection, Cross Line Detection, Enter Area, Leave Area), Ultra Motion Detection (UMD)
VCA Search	Face Snapshot Search, Behavior Search

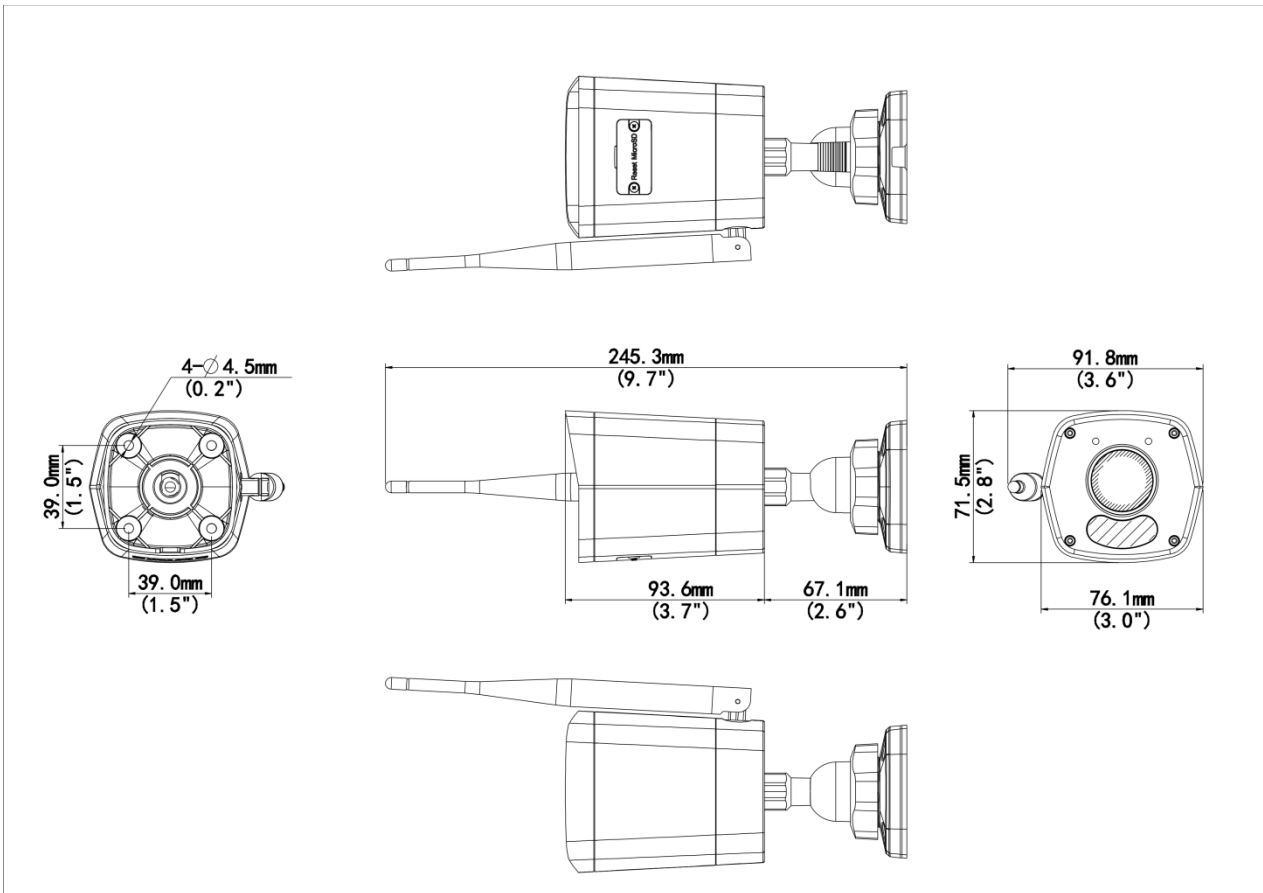
Smart by IPC	Total 4-ch(Face Detection, SIP, UMD)
Capacity of Smart Snapshots	
Capacity of Snapshot Records	2 millions records for SIP
Alarm	
General Alarm	Auto Tracking, Motion Detection, Tampering, Human Body Detection, Video Loss, Audio Detection
Alert Alarm	IP Conflict, Network Disconnected, Disk Offline, Disk Abnormal, Illegal Access, Hard Disk Space Low, Hard Disk Full, Recording/Snapshot Abnormal
GUI Language	
GUI Language	21 languages: Chinese, English, Vietnamese, Thai, Turkish, Spanish (Latin America), Portuguese (Brazil), Spanish, Portuguese, French, German, Italian, Dutch, Polish, Czech, Hungarian, Slovak, Russian, Hebrew, Arabic, Ukrainian
Hard Disk	
SATA	1 SATA Interface
Capacity	Up to 24 TB for each HDD (The maximum HDD capacity varies with environment temperature and hard disk size, The environment temperature for use should not exceed 35°C.)
External Interface	
Network Interface	1 RJ45 10 M/100 M self-adaptive Ethernet Interface
USB	Rear panel: 2 × USB2.0
RS485	N/A
RS232	N/A
Alarm In	N/A
Alarm Out	N/A
Buzzer	Support
Power Supply	DC 12 V/2 A
WiFi	
Frequency	2.4 GHz
Transmission Rate	150 Mbps
Wireless Standards	IEEE 802.11b/g/n, IEEE 802.11ax
Working Environment	
Working Temperature	-10 °C to 55 °C (14 °F to 131 °F)
Working Humidity	≤ 90% RH (non-condensing)
Power Consumption (without HDD)	<12W
Heat Dissipation	Radiator
Dimensions	
Weight (without HDD)	≤0.6Kg (1.32lb)
Height	1U
Dimensions	205mm*205mm*45.6mm
Certification	
Certification	CE; FCC; UL; RoHS; WEEE
CE	EN 55032, EN 61000-3-3, EN IEC 61000-3-2, EN 50130
FCC	Part15 Subpart B

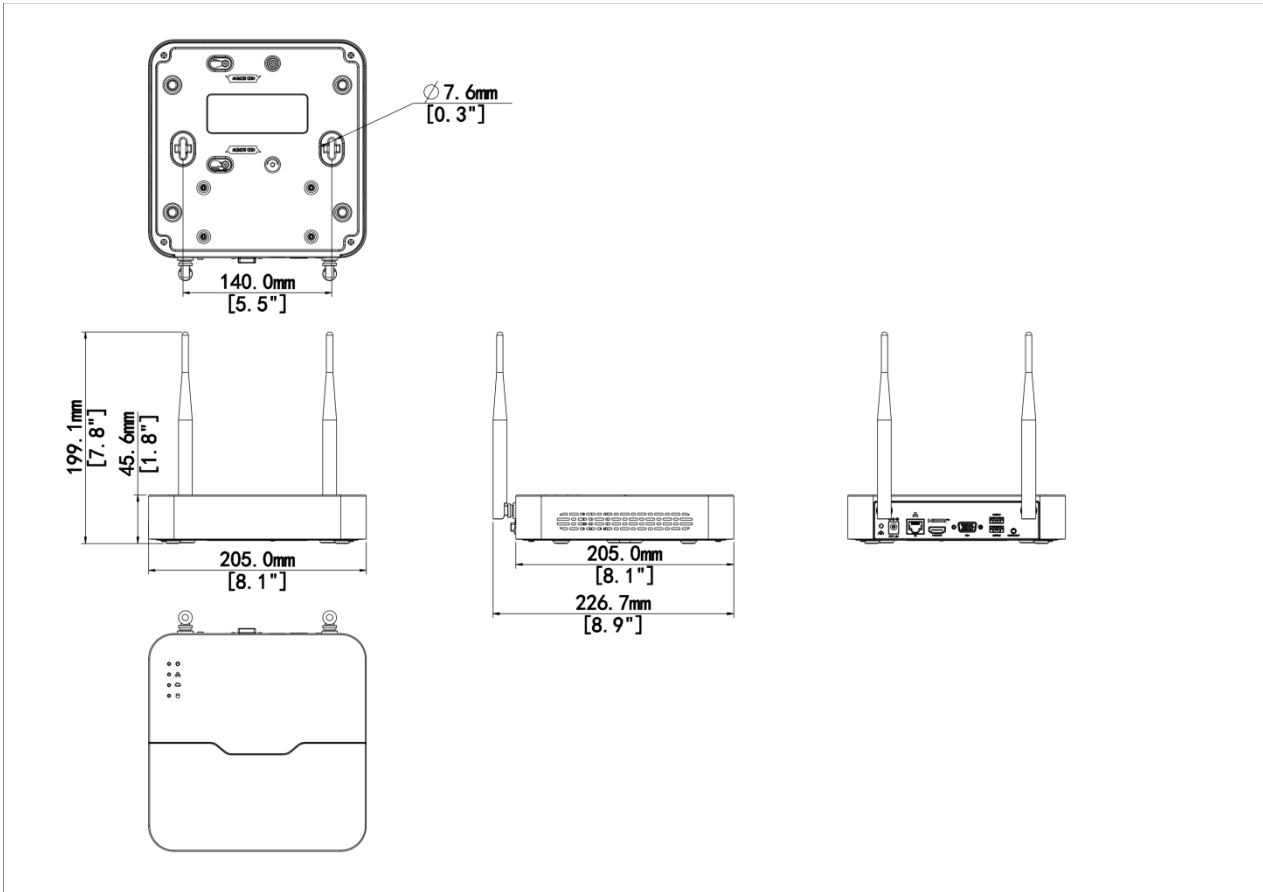
Compliance	
NDAA Compliant	Support
<ul style="list-style-type: none"> IPC2122LB-AF28WK-WF 	
Model	IPC2122LB-AF28WK-WF
Camera	
Max Resolution	2 MP
Sensor	1/3.0" CMOS
Min. Illumination	Color: 0.01 Lux (F2.0, AGC ON), 0 Lux with IR on
Day/Night	IR-cut filter with auto switch (ICR)
Shutter	Auto/Manual, 1 to 1/100000 s
Adjustment Angle	Pan: 0° to 360°, Tilt: 0° to 90°, Rotate: 0° to 360°
S/N	> 52 dB
WDR	DWDR
Lens	
Focal Length	2.8 mm
Iris Type	Fixed
Iris	F2.0
Field of View (H)	94.0°
Field of View (V)	52.4°
Field of View (D)	106.5°
Lens Type	Fixed
DORI	
DORI Distance (Lens)	2.8 mm
DORI Distance (Detect)	46.7 m (153.1 ft.)
DORI Distance (Observe)	18.7 m (61.4 ft.)
DORI Distance (Recognize)	9.3 m (30.6 ft.)
DORI Distance (Identify)	4.7 m (15.4 ft.)
Illuminator	
Supplemental Light	IR
Illumination Distance (IR)	30 m (98.4 ft.)
Wavelength	850 nm
IR On/Off Control	Auto/Manual
Video	
Video Compression	Ultra 265, H.265, H.264
H.264 Code Profile	Baseline profile, Main profile, High profile
Frame Rate	Main Stream: 1080P (1920 × 1080), max. 25 fps; 720P (1280 × 720), max. 25 fps Sub Stream: 640 × 360, max. 25 fps; 2CIF (704 × 288), max. 25 fps; CIF (352 × 288), max. 25 fps;
Video Bit Rate	128 Kbps to 2048 Kbps
U-code	Support
OSD	Up to 2 OSDs
Privacy Mask	Support (only NVR)
ROI	Up to 8 areas

Video Stream	Dual streams
Image	
White Balance	Auto, Outdoor, Fine tune, Sodium lamp, Locked, Auto2
Digital Noise Reduction	2D/3D DNR
Smart IR	Support
Flip	Normal, Flip vertical, Flip horizontal, 180°
Dewarping	N/A
HLC	N/A
BLC	Support
Defog	Digital defog
Events	
Basic Detection	Ultra motion detection (motion/ human/ vehicle detection)
General Function	IP address filtering, Access policy, ARP protection, RTSP authentication, User authentication, HTTP authentication
Audio	
Audio Compression	G.711U, G.711A
Audio Bitrate	64 Kbps
Two-way Audio	N/A
Suppression	Support
Sampling Rate	8 kHz
Storage	
Edge Storage	MicroSD, up to 512 GB
Network Storage	ANR
Network	
Protocols	IPv4, TCP, UDP, DHCP, RTSP, DNS, DDNS, NTP, HTTP
Compatible Integration	API, SDK
User/Host	Up to 32 users. 2 user levels: administrator and common user
Security	Password Protection, Strong Password, HTTPS Encryption, Export Operation Logs, Basic and Digest Authentication for RTSP, Digest Authentication for HTTP, TLS 1.2
Client	EZStation, APP
Web Browser	Plug-in required live view: IE 10+, Chrome 45+, Firefox 52+, Edge 79+
Wi-Fi	
Wireless Standards	IEEE802.11b/g/n/ax
Frequency Range	2.4 GHz to 2.4835 GHz
Channel Bandwidth	20/40 MHz Support
Modulation Mode	802.11b: CCK 802.11g/n: OFDM 802.11ax: OFDMA
Wi-Fi Security	64/128-bit WEP, WPA-PSK/WPA2-PSK
Transmit Power	802.11b: 17±1.5 dBm@11 Mbps 802.11g: 16±1.5 dBm@54 Mbps 802.11n: 16±1.5 dBm@MCS7 802.11ax: 16±1.5 dBm@MCS9
Receive Sensitivity	802.11b: -76 dBm@11 Mbps (Typical) 802.11g: -65 dBm@54Mbps (Typical) 802.11n: -61 dBm@MCS7, HT40 (Typical) 802.11ax: -54 dBm@MCS9, HE40 (Typical)

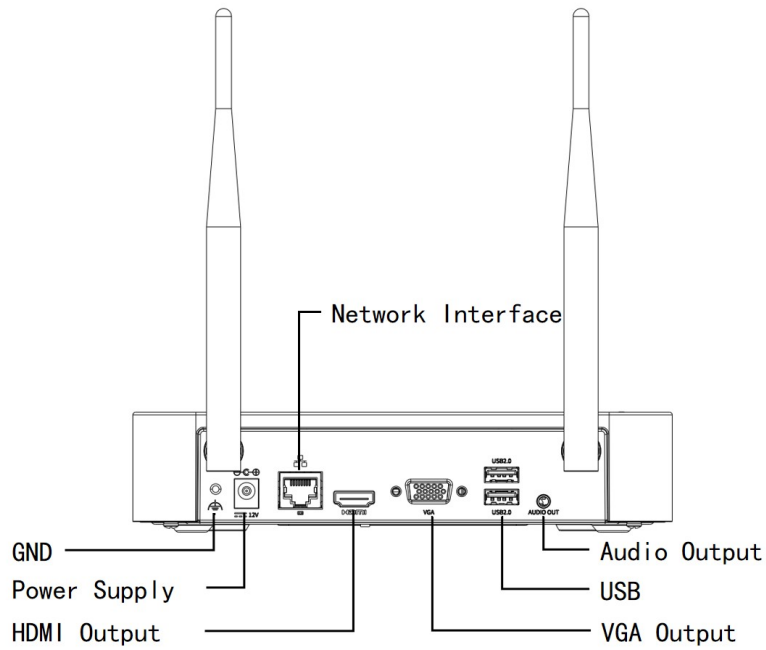
Transmission Rate	802.11b: 11 Mbps802.11g: 54 Mbps802.11n: up to 150 Mbps802.11ax: up to 270 Mbps
Interface	
Audio I/O	N/A
Alarm I/O	N/A
Serial Port	N/A
Built-in Mic	Support
Built-in Speaker	N/A
WIFI	Support
Network	1 × RJ45 10 M/100 M Base-TX Ethernet
Video Output	N/A
Certification	
EMC	CE-EMC (EN 55032, EN 61000-3-3, EN IEC 61000-3-2, EN 50130) FCC (FCC 47 CFR part15 B)
RF	FCC ID (FCC CFR 47 part15 C)CE RED (EN 301 489-1, EN 301 489-17, EN 300 328, EN 62311)
Safety	CE LVD (EN 62368-1)
Environment	CE-RoHS (2011/65/EU;(EU)2015/863); WEEE (2012/19/EU);
Protection	IP67 (IEC 60529)
General	
Power	DC 12 V±25%
Power Consumption	Max. 3.5 W
Power Interface	Ø5.5 mm coaxial power plug
Dimensions	160 mm × 76 mm × 72 mm (6.3" × 3.0" × 2.8") (L × W × H)
Weight	0.25 kg (0.55 lb.)
Material	Metal + Plastic
Storage Environment	-30 °C to 60 °C (-22 °F to 140 °F), Humidity: ≤ 95% RH (non-condensing)
Working Environment	-30 °C to 60 °C (-22 °F to 140 °F), Humidity: ≤ 95% RH (non-condensing)
LED Indicator	1, red/green
Surge Protection	4 KV
Reset Button	Support
Web Client Language	1 Language: English

Dimensions





Rear Panel




Unlimited New View

Zhejiang Uniview Technologies Co., Ltd.

 <http://www.uniview.com>

 overseasbusiness@uniview.com; globalsupport@uniview.com

 No. 369, Xietong Road, Xixing Sub-district, Binjiang District, Hangzhou City, 310051, Zhejiang Province, China



©2023-2025 Zhejiang Uniview Technologies Co., Ltd. All rights reserved.

*Product specifications and availability are subject to change without notice.

Despite our best efforts, technical or typographical errors may exist in this document. Uniview cannot be held responsible for any such errors and reserves the right to change the contents of this document without prior notice.