

8MP+8MP LightHunter Dual-lens Network PTZ Camera

IPC68188EFW-X25-F40G-VH



Features

- Dual channels with one IP, look at overall situation and consider details at the same time
- Support dual-lens video spliced in one channel, which can obtain a wider monitoring range
- Ultra 265, H.265, H.264, MJPEG
- Gyroscope stabilization for stable picture
- 25X optical zoom of PTZ channel allows for closer viewing of subjects
- Smart intrusion prevention, support false alarm filtering, include Cross Line, Intrusion, Enter Area, Leave Area detection
- People Counting, support people flow counting and crowd density monitoring, suitable for different statistical scenarios
- LightHunter technology ensures ultra-high image quality in low illumination environment
- IR & warm light illumination to deal with different scenes and achieve full-color illumination
- AC 24V ±25% or DC 24V ±25% power supply

Specifications

Channel	Channel 1 (Panorama)	Channel 2 (Detail)
Camera		
Sensor	1/1.8" CMOS	1/1.2" CMOS
Max Resolution	8 MP	
Min. Illumination	Color: 0.0005 lux (F1.6, AGC ON) 0 lux with IR/Warm light	Color: 0.0005 lux (F1.6, AGC ON) 0 lux with IR
Day/Night	IR-cut filter with auto switch (ICR)	
Shutter	Auto/Manual, 1 to 1/100000 s	
WDR	120 dB	
S/N	>56 dB	
Lens		
Digital Zoom	N/A	16X
Optical Zoom	N/A	25X
Iris Type	Fixed	P-iris
Video		
Frame Rate-Third Stream	D1 (720*576), Max 30fps; 640*360, Max 30fps; 2CIF (704*288), Max 30fps; CIF (352*288), Max 30fps;	
Frame Rate-Main Stream	8MP (3840*2160), Max 30fps; 6MP (3072*2048), Max 30fps; 4MP (2688*1520), Max 30fps; 4MP (2560*1440), Max 30fps; 2MP (1920*1080), Max 30fps; 720P (1280*720), Max 30fps; D1 (720*576), Max 30fps; 640*360, Max 30fps; 2CIF (704*288), Max 30fps; CIF (352*288), Max 30fps;	
Frame Rate-Sub Stream	2MP (1920*1080), Max 30fps; 720P (1280*720), Max 30fps; D1 (720*576), Max 30fps; 640*360, Max 30fps; 2CIF (704*288), Max 30fps; CIF (352*288), Max 30fps;	
Frame Rate Recommendation	3840*2160@30fps+1080P@30fps+D1@30fps 3072*2048@30fps+1080P@30fps+D1@30fps	
Privacy Mask	24 areas, up to 8 areas per scene	
Video Compression	Ultra 265, H.265, H.264, MJPEG	
Video Bit Rate	128 Kbps to 16 Mbps	
U-code	Support	
ROI	Support	
Video Stream	Triple Streams	
OSD	Up to 10 OSDs	

DORI

DORI Distance (Lens)	4 mm	10 ~ 250mm
----------------------	------	------------

Intelligent

Metadata Analyse	Support human body, human face, motor vehicle and non-motor vehicle image capture and attribute collection	
People Counting	N/A	Support People Flow Counting and Crowd Density Monitoring
Smart Intrusion Prevention	Cross line detection, intrusion detection, enter area detection, leave area detection (support false alarm filtering and the classification of human, non-motor vehicle and vehicle)	

Image

Defog	Digital Defog	Optical Defog
White Balance	Auto, Outdoor, Fine Tune, Sodium Lamp, Locked, Auto2	
Digital Noise Reduction	2D/3D DNR	
Smart IR	N/A	Support
Flip	Normal, Flip Vertical, Flip Horizontal, 180°	
HLC	Support	
BLC	Support	
Heatwave Reduction	N/A	Support

Illuminator

Light On/Off Control	Auto/Manual	
Illumination Distance (IR)	N/A	250 m (820.2 ft)
Illumination Distance (Warm Light)	30 m (98.4 ft)	N/A

Events

Basic Detection	Motion Detection, Audio Detection, Tampering Alarm	
General Function	Watermark, IP Address Filtering, Alarm Input, Alarm Output, Access Policy, ARP Protection, RTSP Authentication, User Authentication	Watermark, IP Address Filtering, Access Policy, Alarm Output, Alarm Input, User Authentication, RTSP Authentication, ARP Protection

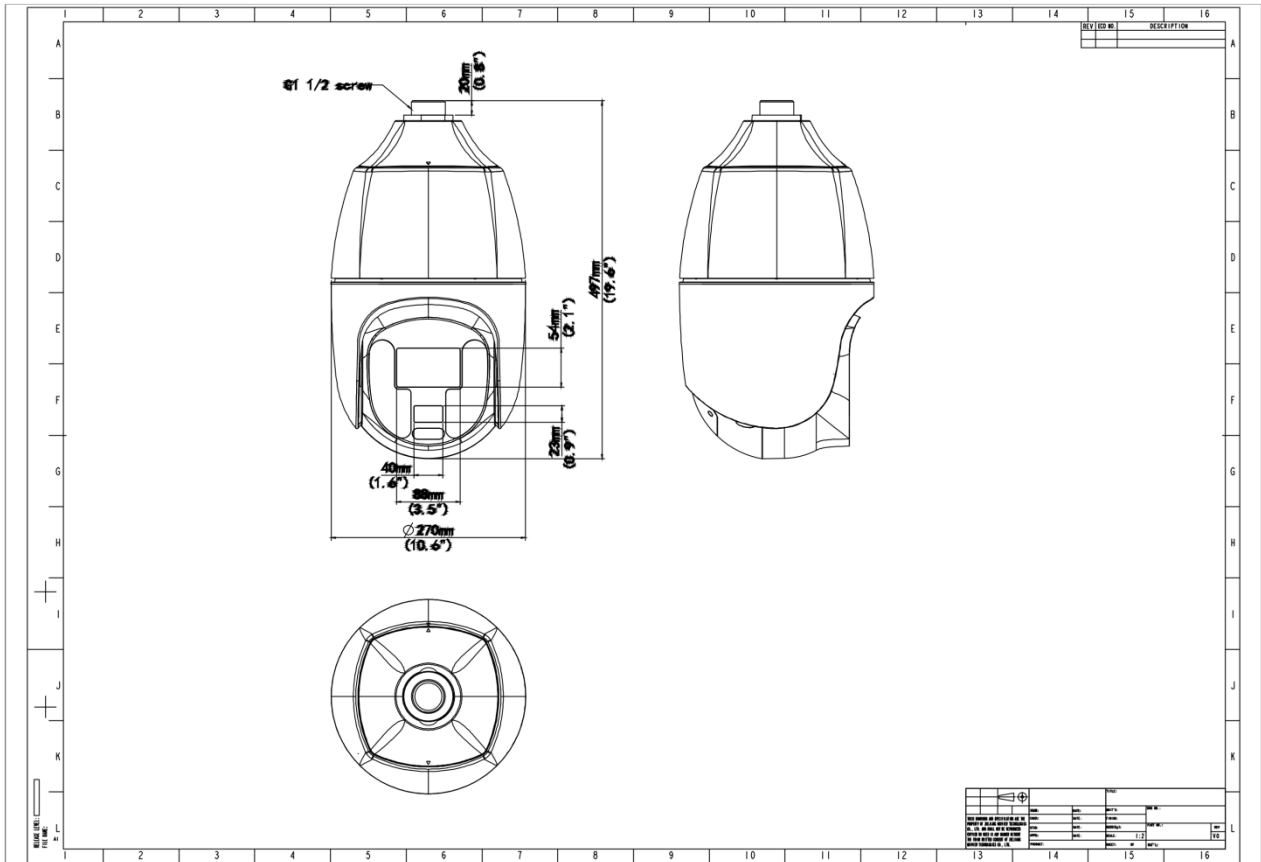
PTZ

Pan Range	360°	
-----------	------	--

Pan Speed	0.1°/s ~ 180°/s	
Tilt Range	-15° ~ 90°	
Tilt Speed	0.1°/s ~ 180°/s	
Number of Presets	N/A	1024
Preset Patrol	N/A	16 patrols, up to 64 presets for each patrol
Patrol Stay Time	15 s to 1800 s	
Preset Image Freeze	N/A	Support
Home Position	N/A	Support
Audio		
Audio Compression	G.711U, G.711A	
Audio Bitrate	128 Kbps	
Two-way Audio	Support	
Suppression	Support	
Sampling Rate	8 kHz, 16 kHz	
Storage		
Edge Storage	Micro SD, up to 512 GB	
Network Storage	ANR, NAS (NFS)	
Network		
Protocols	SSH, IGMP, RTP, RTCP, SMTP, IPv4, IPv6, ICMP, ARP, TCP, UDP, DHCP, PPPoE, RTSP, RTMP, DNS, DDNS, NTP, FTP, UPnP, HTTP, HTTPS, 802.1x, SNMP, QoS, SSL/TLS	
Compatible Integration	ONVIF (Profile S, Profile G, Profile T, Profile M), API, SDK	ONVIF (Profile S, Profile G, Profile T), API, SDK
User/Host	Up to 32 users. 3 user levels: administrator, common user and operator	
Security	TLS1.3, Password Protection, Strong Password, HTTPS Encryption, Export Operation Logs, Basic and Digest Authentication for RTSP, Digest Authentication for HTTP, TLS 1.2, WSSE and Digest Authentication for ONVIF	
Client	EZStation, UNV-Link, UNV-Link Pro	
Web Browser	Plug-in required live view: IE 10+, Chrome 45+, Firefox 52+, Edge 79+	
Interface		
Audio I/O	1 Input: impedance 1 kΩ, amplitude 2.5 V [p-p], 1 Output: impedance 600 Ω, amplitude 2 V [p-p]	
Alarm I/O	7/2	
Serial Port	1 channel RS485 interface	
Built-in Mic	N/A	

Built-in Speaker	N/A
WIFI	N/A
Network	1 × RJ45 10 M/100 M/1000 M Base-TX Ethernet + 1 × 100 M/1000 M SFP
Certification	
EMC	CE-EMC (EN 55032: 2015+A1: 2020, EN 61000-3-3: 2013+A1: 2019, EN IEC 61000-3-2: 2019+A1: 2021, EN 55035: 2017+A11: 2020) FCC (FCC CFR 47 part15 B, ANSI C63.4-2014)
Safety	CE LVD (EN 62368-1:2014+A11:2017) UL (UL 62368-1, 2nd Ed., Issue Date: 2014-12-01)
Environment	CE-RoHS (2011/65/EU; (EU) 2015/863)
Protection	IP66 (IEC 60529: 1989+AMD1: 1999+AMD2: 2013)
General	
Power	DC24V (±25%), AC24V (±25%)
Power Consumption	MAX 63W
Power Interface	Wires with cold-pressed terminal
Dimensions	∅ 270 x 497mm (∅ 10.6" x 19.6") (∅ x H)
Weight	10.08kg (22.2lb)
Working Environment	-40 °C to 70 °C (-40 °F to 158 °F), Humidity: ≤ 95% RH (non-condensing)
Storage Environment	-40 °C to 70 °C (-40 °F to 158 °F), Humidity: ≤ 95% RH (non-condensing)
Surge Protection	6 KV
Reset Button	Support
Web Client Language	22 Languages Traditional Chinese, English, Simplified Chinese, Polish, German, Russian, French, Korean, Dutch, Czech, Portuguese (Europe), Portuguese (Brazil), Japanese, Thai, Turkish, Spanish (Latin America), Spanish (Europe), Hungarian, Italian, Vietnamese, Arabic, Slovak

Dimensions



Accessories

TR-UF45-A-IN

Dome Indoor Ceiling Mounting Pedestal



TR-SE45-A-IN

Dome Ceiling Mounting Pole 500



TR-UC08-B-IN

Aluminium Alloy Corner Mounting Bracket



TR-UC08-A-IN

Dome Corner Mounting Bracket



TR-UP08-B-IN

Aluminium Alloy Pole Mounting Bracket



TR-UP08-A-IN

Dome Pole Mounting Bracket



TR-WE45-B-IN

Dome Gooseneck Bracket



TR-JB12-IN

Dome Junction Box



TR-WE45-A-IN

Long Wall Mounting Bracket for Dome



TR-CE45-IN

Dome Indoor Ceiling Mounting Bracket



TR-SE45-IN

Dome Ceiling Mounting Pole 200



Zhejiang Uniview Technologies Co., Ltd.

No. 369, Xietong Road, Xixing Sub-district, Binjiang District, Hangzhou City, 310051, Zhejiang Province, China (Zhejiang) Pilot Free Trade Zone, China

Email: overseasbusiness@uniview.com; globalsupport@uniview.com

<http://www.uniview.com>

©2023-2024 Zhejiang Uniview Technologies Co., Ltd. All rights reserved.

*Product specifications and availability are subject to change without notice.

*Despite our best efforts, technical or typographical errors may exist in this document. Uniview cannot be held responsible for any such errors and reserves the right to change the contents of this document without prior notice.