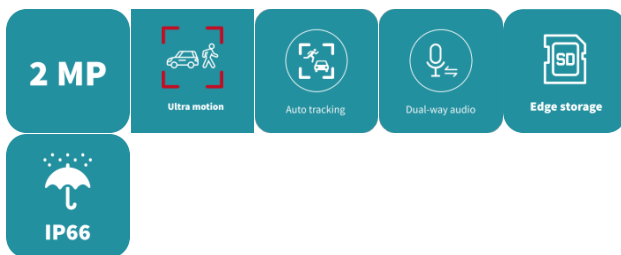


2MP ColorHunter Outdoor Network PT Camera

IPC-P222-AF40C



Features

- High quality image with 1080P, 1/3.0"CMOS sensor
- 1080P (1920 × 1080)@25/20 fps; 720P (1280 × 720)@25/20 fps
- H.265, H.264
- 2D/3D DNR (digital noise reduction)
- Support digital WDR (Wide Dynamic Range)
- Built in Mic and Speaker, support two way audio, offer better interaction
- Support sound and light warning, makes warning and alarming more noticeable
- Smart IR, up to 30 m (98.4 ft.) IR and 30 m (98.4 ft.) warm light distance, suitable for more scenes
- MicroSD, up to 512 GB
- IP66 ingress protection

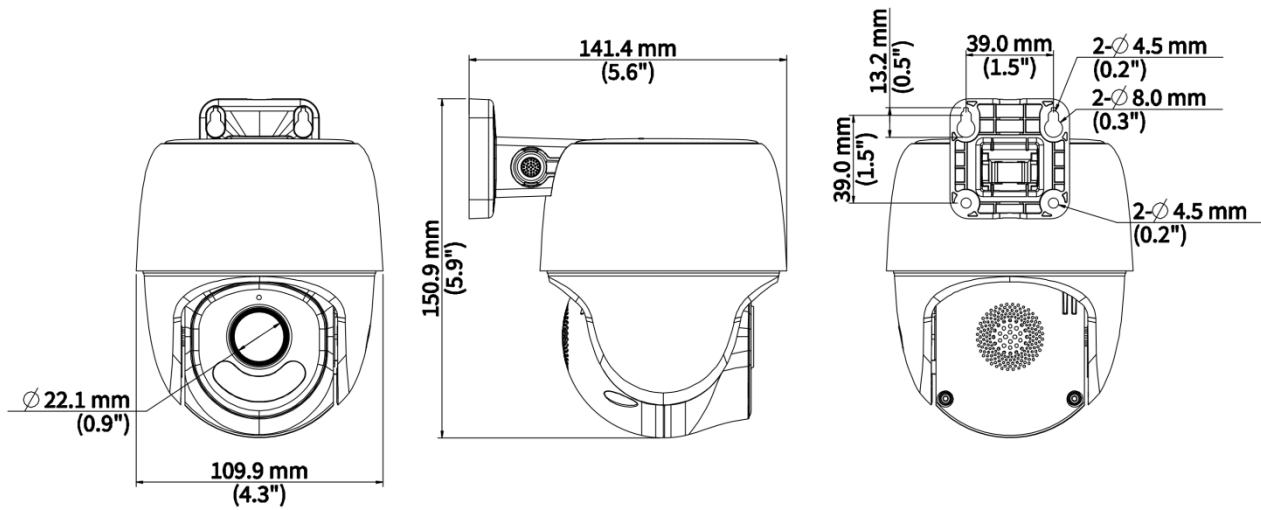
Specifications

Model	IPC-P222-AF40C
Camera	
Max Resolution	2 MP
Sensor	1/3.0" CMOS
Min. Illumination	Color: 0.003 Lux (F1.6, AGC ON)
Day/Night	IR-cut filter with auto switch (ICR)
Shutter	Auto/Manual, 1 to 1/100000 s
S/N	> 52 dB
WDR	DWDR
Lens	
Focal Length	4.0 mm
Iris	F1.6
Field of View (H)	74.3°
Field of View (V)	39.3°
Field of View (D)	79.9°
Lens Type	Fixed
Iris Type	Fixed
DORI	
DORI Distance (Lens)	4 mm
DORI Distance (Detect)	66.7 m (219.7 ft.)
DORI Distance (Observe)	26.7 m (87.5 ft.)
DORI Distance (Recognize)	13.3 m (43.7 ft.)
DORI Distance (Identify)	6.7 m (21.9 ft.)
Illuminator	
Supplemental Light	Dual light
Illumination Distance (IR)	30 m (98.4 ft.)
Illumination Distance (Warm Light)	30 m (98.4 ft.)
Wavelength	850 nm
IR On/Off Control	Auto/Manual
Video	
Video Compression	H.265, H.264
Frame Rate	Main Stream: 2MP (1920*1080), Max 25fps; 720P (1280*720), Max 25fps; Sub Stream: 640*360, Max 25 fps; 2CIF (704*288), Max 25 fps; CIF (352*288), Max 25 fps;
Video Bit Rate	128 Kbps to 6144 Kbps
OSD	Up to 2 OSDs
Privacy Mask	Support (only NVR)
ROI	Support
Video Stream	Dual streams
Image	

White Balance	Auto, Outdoor, Fine tune, Sodium lamp, Locked, Auto2
Digital Noise Reduction	2D/3D DNR
Smart IR	Support
Flip	Normal, Flip horizontal, Flip vertical, 180°
HLC	N/A
BLC	Support
Defog	Digital defog
Audio	
Audio Compression	G.711U, G.711A
Audio Bitrate	64 Kbps
Two-way Audio	Support
Suppression	Support
Sampling Rate	8 kHz
Events	
Basic Detection	Ultra motion detection (based on human body and vehicle detection), High-Decibel detection
General Function	IP address filtering, Access policy, HTTP authentication, RTSP authentication, User authentication, ARP protection
Intelligent	
Auto Tracking	Support
Storage	
Edge Storage	MicroSD, up to 512 GB
Network Storage	ANR
Network	
Protocols	IPv4, TCP, DHCP, RTSP, RTP, RTCP, NTP, HTTP, ICMP, DNS, DDNS
Compatible Integration	SDK, API
Client	APP, Uniarch client
Web Browser	Plug-in required live view: IE 10+, Chrome 45+, Firefox 52+, Edge 79+
Security	Password protection, Strong Password, Export operation logs, Basic and Digest Authentication for RTSP, Digest Authentication for HTTP, TLS 1.2, WSSE and Digest Authentication for ONVIF
User/Host	Up to 6 users. 2 user levels: administrator and common user
PTZ	
Pan Range	0° ~ 345°
Pan Speed	1°/s ~ 40°/s Preset speed: 40°/s
Tilt Range	0° ~ 90°
Tilt Speed	1°/s ~ 30°/s Preset speed: 30°/s
Number of Presets	20
Interface	
Audio I/O	N/A
Alarm I/O	N/A
Serial Port	N/A
Built-in Mic	Support

Built-in Speaker	Support
WIFI	N/A
Network	1 × RJ45 10 M/100 M Base-TX Ethernet
Certification	
Protection	IP66 (IEC 60529)
EMC	CE-EMC (EN 55032, EN 61000-3-3, EN IEC 61000-3-2, EN 55035) FCC (FCC 47 CFR part15 B)
Safety	CE LVD (EN IEC 62368-1)
Environment	CE-RoHS (2011/65/EU;(EU)2015/863); WEEE (2012/19/EU);
General	
Power	DC 12V±25%, PoE (IEEE 802.3af)
Power Consumption	7.3 W
Power Interface	Ø5.5 mm coaxial power plug
Dimensions	Ø110mm*141mm*151mm (Ø4.3"× 5.6"× 6.0")
LED Indicator	1, red/blue
Weight	0.38 kg (0.84 lb)
Material	Plastic
Working Environment	-30 °C to 60 °C (-22 °F to 140 °F), Humidity: ≤ 95% RH (non-condensing)
Surge Protection	4 KV
Reset Button	Support

Dimensions



Zhejiang Uniview Technologies Co., Ltd.



<http://www.uniview.com>



overseasbusiness@uniview.com; globalsupport@uniview.com



No. 369, Xietong Road, Xixing Sub-district, Binjiang District, Hangzhou City, 310051, Zhejiang Province, China



©2023-2025 Zhejiang Uniview Technologies Co., Ltd. All rights reserved.

*Product specifications and availability are subject to change without notice.

*Despite our best efforts, technical or typographical errors may exist in this document.

Uniview cannot be held responsible for any such errors and reserves the right to change the contents of this document without prior notice.