

# 2MP LightHunter PoC Fixed IR Turret Analog Camera

UAC-T122-APF28LM



## Overview

UAC-T122-APF28LM is a 2MP LightHunter PoC fixed IR turret analog camera with a high-performance 1/2.9-inch CMOS sensor and 3D noise reduction technology. It supports TVI/AHD/CVI/CVBS, which effectively enhances product adaptability and diversity of networking solutions. With SYV-75-3 or other coaxial cable types, the camera can achieve low-cost, long-distance, and anti-interference mega-pixel HD video transmission without time delay. In addition, the PoC power supply system can achieve video and power transmission on one cable, simplifying wiring and installation work, and improving structural flexibility. It supports IR-cut filter with auto-switch (ICR) and provides color images at daytime and black/white images at night. The camera also supports audio input and synchronous transmission of audio and video.

## Features

- \* Coaxial cables are recommended for video signal transmission, such as SYV-75-3, SYV-75-5, or RG59 cables.
- \* To achieve power supply on the coaxial cable, please use the camera with our PoC series XVRs.
- High quality imaging with 2MP resolution
- TVI/AHD/CVI/CVBS
- Supports IR-cut filter with auto-switch (ICR)

- LightHunter monitoring with high-sensitivity sensor
- 3D noise reduction technology delivers clean and sharp images
- Supports 180 horizontal flip, 180 vertical flip
- OSD configuration menu, easy to operate
- IP67 waterproof and dustproof design, high reliability
- OSD configuration menu in 11 languages
- Built-in microphone for high quality audio transmission via coaxial cables
- Supports digital defog
- 3-Axis
- Support PoC power supply

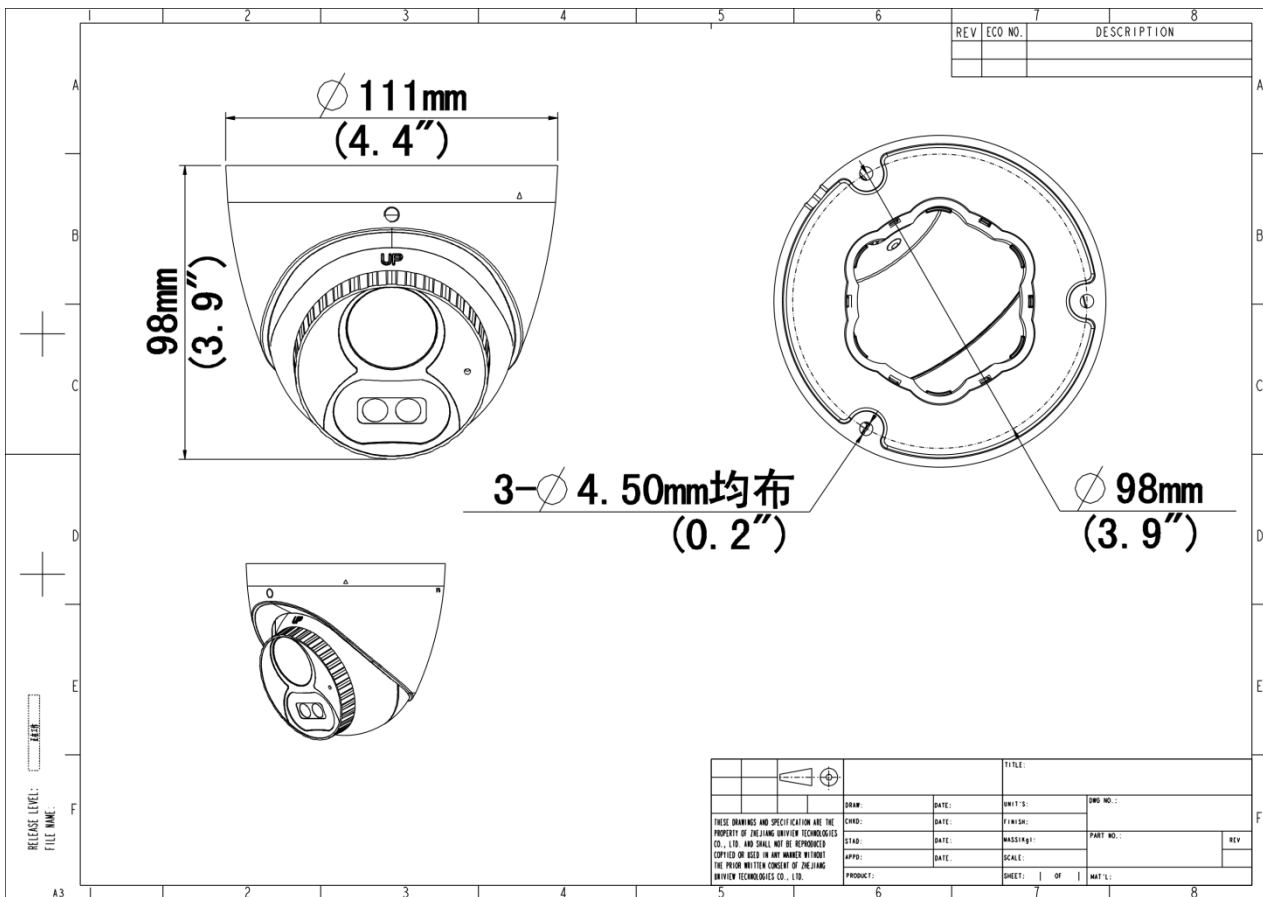
## Specifications

|                       |   |
|-----------------------|---|
| Model                 | UAC-T122-APF28LM                                |
| Sensor                |   |
| Pixel                 | 2 MP  |
| Sensor Size           | 1/2.9" CMOS                                     |
| Min. Illumination     | 0.005 lux (F1.6, AGC ON)<br>0 lux (IR on)       |
| Lens                  |   |
| Focus                 | 2.8 mm  |
| Lens Mount            | M12   |
| Angle of View (H)     | 101.5°  |
| Angle of View (V)     | 56.9°   |
| Angle of View (D)     | 117.4°  |
| Illuminator           |   |
| Illuminator Number    | Two IR illuminators                             |
| Illumination Distance | 40m   |
| Lifetime              | ≥ 60000 hours                                   |
| Video                 |   |
| Resolution            | 1080P: 1920(H)×1080(V)<br>720P: 1280(H) ×720(V) |

|                              |   |
|------------------------------|---|
| Frame Rate                   | TVI/AHD/CVI: 1080P@25fps(default), 1080P@30fps; 720P@25fps, 720P@30fps<br>CVBS: PAL, NTSC   |
| Shutter Time                 | PAL: 1/25s-1/50000s,<br>NTSC: 1/30s-1/50000s  |
| <b>Image</b>                 |   |
| Exposure Mode                | Four modes: Global (default), BLC, HLC, DWDR  |
| Day/Night                    | Three modes: Auto (default), Day, Night   |
| Digital Noise Reduction      | 2D/3D   |
| White Balance                | Two modes: Auto (default), Manual   |
| WDR                          | DWDR  |
| Smart IR                     | Support   |
| Flip                         | Supports 180°horizontal flip, 180°vertical flip   |
| Digital Defog                | Support   |
| <b>Audio</b>                 |   |
| Built-in Mic                 | Support   |
| Camera Audio                 | TVI: 1080P@25fps, 1080P@30fps<br>CVI: 1080P@25fps, 1080P@30fps<br>* Audio function of the POC series camera is only available when the camera is used with our POC series XVRs. |
| <b>Interface</b>             |   |
| Power Interface              | 5.5 mm Power Interface  |
| Video Output                 | BNC, supports TVI/AHD/CVI/CVBS  |
| <b>Operating Environment</b> |   |
| Temperature                  | -30°C to 60°C (-22°F to 140°F)  |
| Humidity                     | ≤ 95% RH (non-condensing)   |
| Surge Protection             | 4 KV for power, 4 KV for video output interfaces  |
| <b>General</b>               |   |
| Power                        | DC 12 V±25%/PoC   |
| Power Consumption            | MAX 3.2W  |
| Mount                        | Wall Mount, Pole Mount, Corner Mount, Pendant Mount   |
| Dimensions                   | Φ111mm*98mm (diameter*height)   |
| Material                     | Metal + Plastic   |

|                      |   |
|----------------------|---|
| Weight               | 334g (0.74lb)   |
| OSD Menu Language    | 11 Languages English, German, Spanish (Latin America), French, Italian, Japanese, Korean, Polish, Portuguese (Brazil), Russian, Turkish |
| <b>Certification</b> |   |
| EMC                  | CE-EMC (EN 55032,EN 61000-3-3,EN IEC 61000-3-2,EN 55035), FCC (FCC 47 CFR part15 B)   |
| Safety               | CE-LVD (EN 62368-1)   |
| Environment          | CE-RoHS (2011/65/EU; (EU) 2015/863); WEEE (2012/19/EU)  |
| Protection           | IP67 (IEC 60529)  |

## Dimensions



**Zhejiang Uniview Technologies Co., Ltd.**

No. 369, Xietong Road, Xixing Sub-district, Binjiang District, Hangzhou City, 310051, Zhejiang Province, China (Zhejiang) Pilot Free Trade Zone, China

Email: [overseasbusiness@uniview.com](mailto:overseasbusiness@uniview.com); [globalsupport@uniview.com](mailto:globalsupport@uniview.com)

<http://www.uniview.com>

©2024 Zhejiang Uniview Technologies Co., Ltd. All rights reserved.

\*Product specifications and availability are subject to change without notice.

\*Despite our best efforts, technical or typographical errors may exist in this document. Uniview cannot be held responsible for any such errors and reserves the right to change the contents of this document without prior notice.