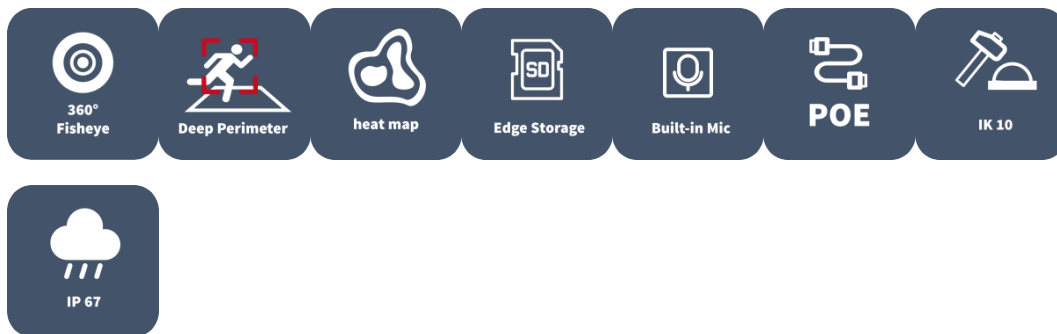


12MP Ultra HD Infrared Vandal-resistant Fisheye Fixed Dome Camera

IPC86CEB-AF18KC-I0



Features

- High quality image with 12MP, 1/1.7" CMOS sensor
- Max 4000*3000 resolution
- Ultra265, H.265, H.264, MJPEG
- Ultra wide angle lens, 360 panoramic image
- Embedded infrared light, 360 fill-in light, up to 15m (49ft) IR distance
- Multiple decoding modes, supports software and hardware modes, provides interactive dynamic view
- Heatmap: Working with management platform, the data of moving objects is counted in real time on an intuitive color map
- Built-in microphone & speaker, two-way talk supported
- Supports 512 G Micro SD card
- IK10 vandal resistant

- IP67 protection

Specifications

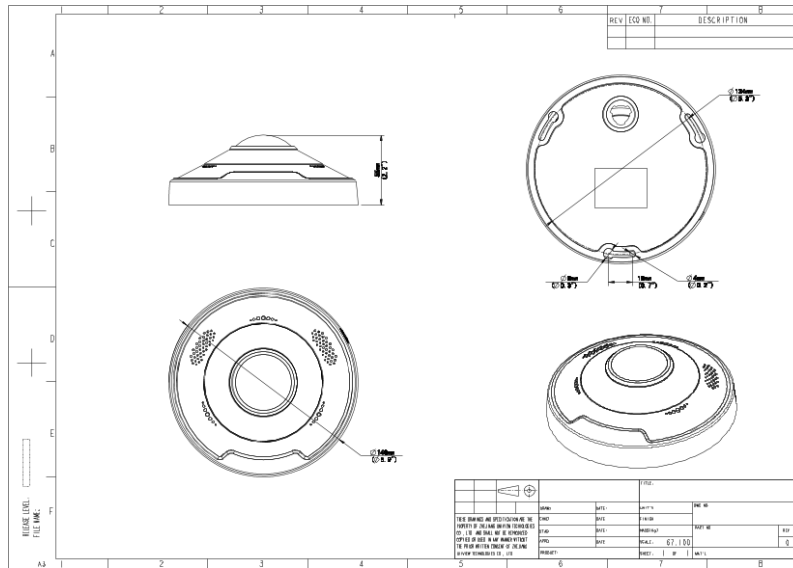
Camera	Description
Max Resolution	12MP
Sensor	1/1.7" CMOS
Min. Illumination	Colour: 0.03Lux (F2.0, AGC ON) 0Lux with IR
Day/Night	IR-cut filter with auto switch (ICR)
Shutter	Auto/Manual, 1 ~ 1/100000s
S/N	>52dB
WDR	DWDR
Lens	Description
Focal Length	1.8 mm
Iris Type	Fixed
Field of View	360°
Iris	F2.0
Lens Type	Fixed
DORI	Description
DORI Distance (Lens)	1.8mm
DORI Distance (Detect)	43.8(143.7ft)
DORI Distance (Observe)	17.5(57.4ft)
DORI Distance (Recognize)	8.8(28.87ft)
DORI Distance (Identify)	4.4(14.44ft)
Illuminator	Description
Illumination Distance (IR)	15 m (49.3 ft)
Supplemental Light	IR
IR On/Off Control	Auto/Manual
Wavelength	850 nm
Video	Description
Main Stream	Fisheye View: 12MP(4000*3000)@20fps;3000*3000@20fps; 2560*2560@25fps;

	Panorama View: 12MP(4000*3000)@20fps;3000*2000@20/25fps; 3000*1500@20/25fp; PTZ View: 1920*1080@20/25fps;
Sub Stream	Fisheye View:2000*1500@20fps;2000*2000@25fps;
Video Compression	Ultra 265; H.265; H.264; MJPEG
Third Stream	Fisheye View:D1(720*576)@20/25fps;CIF352*288)@20/25fps;
H.264 Code Profile	Baseline profile, Main profile, High profile
Video Bit Rate	128 Kbps ~ 16 Mbps
U-code	Support
OSD	Up to 8 OSDs
Privacy Mask	Up to 4 areas
ROI	Support
Video Stream	Triple Streams
Live View Display	Description
Hardware Decoding	Ceiling mount: fisheye view, fisheye + 4PTZ, horizontal panorama view, vertical panorama view Table mount: fisheye view, fisheye + 4PTZ, horizontal panorama view, vertical panorama view Wall mount: fisheye view, fisheye + 4PTZ, panorama view
Software Decoding	Ceiling mount: fisheye view, 360° panorama + 1PTZ, 180° panorama view, fisheye+ 3PTZ, fisheye+4PTZ, fisheye+8PTZ,360° panorama + 6PTZ Table mount: fisheye view, 360° panorama + 1PTZ, 180° panorama view, fisheye+ 3PTZ, fisheye+4PTZ, fisheye+8PTZ,360° panorama + 6PTZ Wall mount: fisheye view, 180° panorama view, 180° panorama view+3PTZ, 180° panorama view+4PTZ, 180° panorama view+8PTZ
Image	Description
White Balance	Auto; Outdoor; Fine Tune; Sodium Lamp; Locked; Auto2
Digital Noise Reduction	2D/3D DNR
Smart IR	Support
Flip	Normal; Flip Vertical; Flip Horizontal; 180°
Dewarping	N/A
HLC	N/A
BLC	Support
Defog	Digital Defog
Intelligent	Description

Smart Intrusion Prevention	Cross Line Detection, Intrusion Detection
Statistical Analysis	Heat map (Working with management platform)
Events	Description
Basic Detection	Motion Detection; Tampering Alarm; Audio Detection
General Function	Watermark; IP Address Filtering; Access Policy; ARP Protection; RTSP Authentication; User Authentication; HTTP Authentication
Audio	Description
Audio Compression	G.711U; G.711A
Audio Bitrate	64 Kbps
Two-way Audio	Support
Suppression	Support
Sampling Rate	8 KHz
Storage	Description
Edge Storage	Micro SD, up to 512 GB
Network Storage	ANR; NAS (NFS)
Network	Description
Protocols	IPv4; IPv6; IGMP; ARP; TCP; UDP; DHCP; PPPoE; RTP; RTSP; RTCP; RTMP; DNS; DDNS; NTP; FTP; HTTP; HTTPS; SMTP; 802.1x; SNMP; QoS
Compatible Integration	ONVIF (Profile S, Profile G, Profile T, Profile M); API; SDK
User/Host	Up to 32 users. 3 user levels: administrator, common user and operator
Security	Password Protection; Strong Password; HTTPS Encryption; Export Operation Logs; Basic and Digest Authentication for RTSP; Digest Authentication for HTTP; TLS 1.2; WSSE and Digest Authentication for ONVIF
Client	EZView; EZLive; EZStation
Web Browser	Plug-in required live view: IE 10 and above, Chrome 45 and above, Firefox 52 and above, Edge 79 and above
Interface	Description
Audio I/O	1 Input: impedance 35k Ω ; amplitude 2V [p-p]; 1 Output: impedance 600 Ω ; amplitude 2V [p-p]
Alarm I/O	2/1
Serial Port	1 channel RS485 interface
Built-in Mic	Built-in two mics

Built-in Speaker	Support
Network	1 x RJ45 10M/100M Base-TX Ethernet
Video Output	1 BNC, impedance 75 Ω ; amplitude 1V [p-p]
Certification	Description
EMC	CE-EMC (EN 55032, EN 61000-3-3, EN IEC 61000-3-2, EN 55035) FCC (FCC 47 CFR part15 B)
Safety	CE LVD (EN 62368-1) CB (IEC 62368-1) UL/CUL (UL 62368-1, CAN/CSA C22.2 No. 62368-1)
Environment	CE-RoHS (2011/65/EU;(EU)2015/863); WEEE (2012/19/EU);
Protection	IP67 (IEC 60529:1989+AMD1:1999+AMD2:2013) IK10 (IEC 62262:2002)
General	Description
Power	DC 12V ±25%, PoE (IEEE 802.3af)
Power Interface	Ø 5.5 mm coaxial power plug
Dimensions	Ø149 x 55mm (Ø5.9" x 2.2") (Ø x H)
Weight	0.524kg (1.16lb)
Material	Metal + Plastic
Working Environment	-30 °C ~ 60 °C (-22 °F ~ 140 °F), Humidity: ≤95% RH (non-condensing)
Storage Environment	-30 °C ~ 60 °C (-22 °F ~ 140 °F), Humidity: ≤95% RH (non-condensing)
Surge Protection	4KV
Reset Button	Support
Web Client Language	20 Languages Traditional Chinese, English, Simplified Chinese, Polish, German, Russian, French, Korean, Dutch, Czech, Portuguese (Europe), Portuguese (Brazil), Japanese, Thai, Turkish, Spanish (Latin America), Spanish (Europe), Hungarian, Italian, Vietnamese

Dimensions



Accessories

TR-JB04-D-IN

Junction Box for Fisheye Fix-dome(Support wiring from behind)



TR-A01-IN

NPT 3/4" Waterproof Cable Gland



TR-SE24-IN

Dome Pendant Mounting Pole 200m
m



TR-SE24-A-IN

Dome Pendant Mounting Pole 500m
m



TR-CM24-IN

Dome Pendant Mounting Bracket(Indoor)



Zhejiang Uniview Technologies Co., Ltd.

No. 369, Xietong Road, Xixing Sub-district, Binjiang District, Hangzhou City, 310051, Zhejiang Province, China (Zhejiang) Pilot Free Trade Zone, China

Email: overseasbusiness@uniview.com; globalsupport@uniview.com

<http://www.uniview.com>

©2023-2024 Zhejiang Uniview Technologies Co., Ltd. All rights reserved.

*Product specifications and availability are subject to change without notice.

*Despite our best efforts, technical or typographical errors may exist in this document. Uniview cannot be held responsible for any such errors and reserves the right to change the contents of this document without prior notice.