

2MP HD 4G ColorHunter Fixed Bullet Network Camera

IPC2A12LP-ADF40(60)KC-4G-JP



Features

- High quality image with 2MP, 1/2.8"CMOS sensor
- 2MP (1920*1080), Max 30fps; 720P (1280*720), Max 30fps;
- Support 4G access to the network
- Alarm:1 in/1 out
- Audio: 1 in/1 out
- Built-in Mic & Speaker
- Smart IR, up to 50m (164ft) IR distance
- White Light, up to 30m (98ft) white light distance
- Support 512 G Micro SD card
- IP67 protection

Specifications

| | | |
|-------|-------------------------|-------------------------|
| Model | IPC2A12LP-ADF40KC-4G-JP | IPC2A12LP-ADF60KC-4G-JP |
|-------|-------------------------|-------------------------|

| Camera | | |
|------------------------------------|---|----------------|
| Max Resolution | 2 MP | |
| Sensor | 1/2.8" CMOS | |
| Min. Illumination | Colour: 0.005 lux (F1.6, AGC ON) 0 Lux with light | |
| Day/Night | IR-cut filter with auto switch (ICR) | |
| Shutter | Auto/Manual, 1 ~ 1/100000s | |
| S/N | >52 dB | |
| WDR | 120 dB | |
| Lens | | |
| Focal Length | 4.0 mm | 6.0 mm |
| Iris Type | Fixed | |
| Iris | F1.6 | |
| Field of View (H) | 87.5° | 54.2° |
| Field of View (V) | 46.3° | 28.9° |
| Field of View (D) | 92.4° | 61.5° |
| DORI | | |
| DORI Distance (Lens) | 4.0mm | 6.0mm |
| DORI Distance (Detect) | 62.1m(203.7t) | 93.1m(305.4ft) |
| DORI Distance (Observe) | 24.8m(81.4ft) | 37.2m(122.0ft) |
| DORI Distance (Recognize) | 12.4m(40.7ft) | 18.6m(61.0ft) |
| DORI Distance (Identify) | 6.2m(20.3ft) | 9.3m(30.5ft) |
| Illuminator | | |
| Illumination Distance (IR) | 50 m (164.0 ft) | |
| Illumination Distance (Warm Light) | 30 m (98.4 ft) | |
| Wavelength | 850 nm | |
| IR On/Off Control | Auto/Manual | |
| Video | | |
| Video Compression | Ultra 265, H.265, H.264, MJPEG | |
| H.264 Code Profile | Baseline profile, Main profile, High profile | |

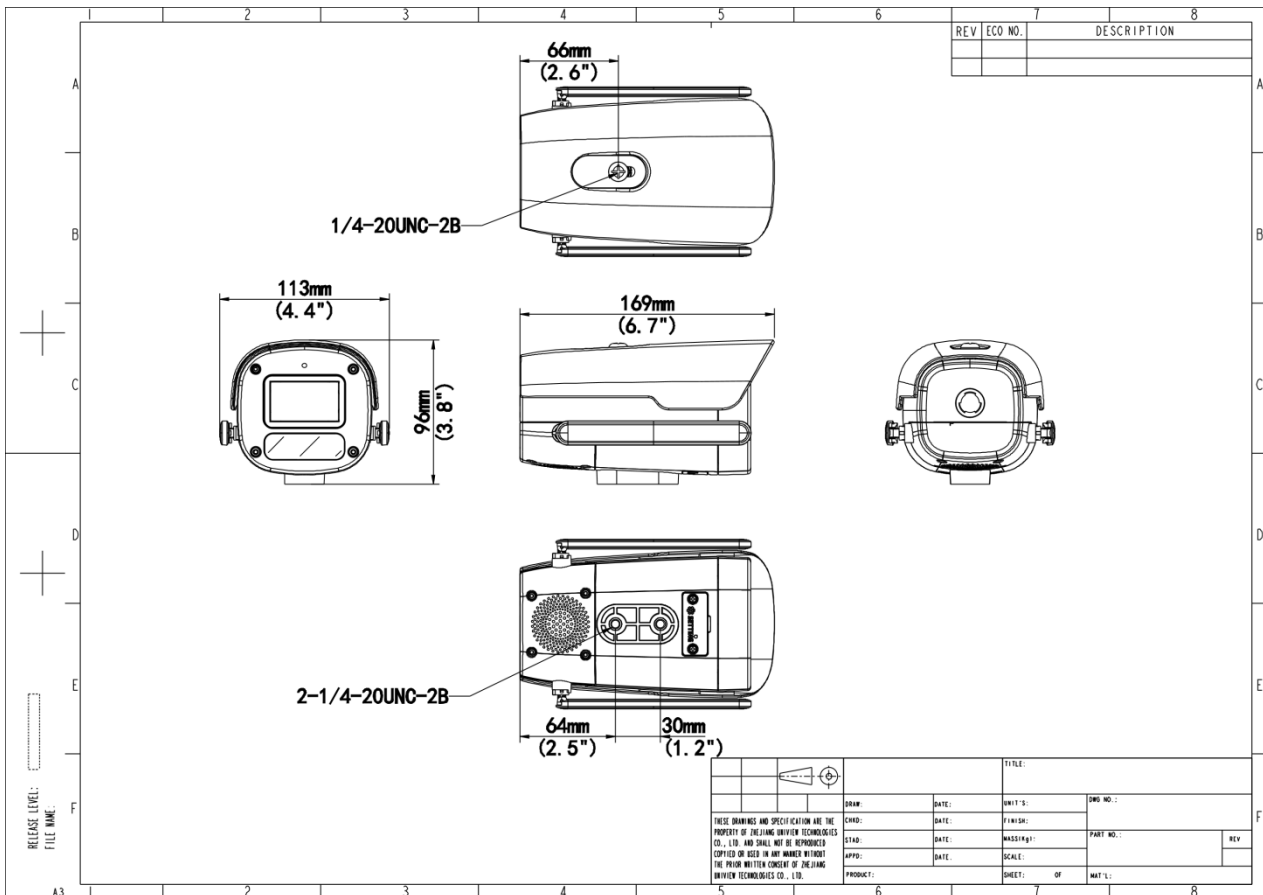
| | |
|----------------------------|--|
| Frame Rate | Main Stream: 1080P (1920*1080), Max 30fps; 720P (1280*720), Max 30fps Sub Stream: 720P (1280*720), Max 30fps; D1 (720*576), Max 30fps; 640*360,Max 30fps; |
| Video Bit Rate | 128 Kbps to 2048 Kbps |
| U-code | Support |
| OSD | Up to 8 OSDs |
| Privacy Mask | Up to 4 areas |
| ROI | Up to 8 areas |
| Video Stream | Dual Streams |
| Image | |
| White Balance | Auto, Outdoor, Fine Tune, Sodium Lamp, Locked, Auto2 |
| Digital Noise Reduction | 2D/3D DNR |
| Smart IR | Support |
| Flip | Normal, Flip Vertical, Flip Horizontal, 180°, 90° Clockwise, 90° Anti-clockwise |
| Dewarping | N/A |
| HLC | Support |
| BLC | Support |
| Defog | Digital Defog |
| Events | |
| Basic Detection | Motion Detection, Ultra Motion Detection, Tampering Alarm, Audio Detection |
| General Function | Watermark, IP Address Filtering, Access Policy, ARP Protection, RTSP Authentication, User Authentication |
| Intelligent | |
| Smart Intrusion Prevention | Support False Alarm Filtering: Cross Line Detection, Intrusion Detection, Enter Area Detection, Leave Area Detection |
| Audio | |
| Audio Compression | G.711U, G.711A |
| Audio Bitrate | 64 Kbps |
| Two-way Audio | Support |
| Suppression | Support |
| Sampling Rate | 8 kHz |
| Storage | |
| Edge Storage | Micro SD, up to 512 GB |

| | |
|------------------------|--|
| Network Storage | ANR, NAS (NFS) |
| Network | |
| 4G Network Frequency | LTE-TDD: Band 41 LTE-FDD: Band 1/3/8/18/19/26 UMTS: Band 1/6/8/19 |
| 4G Network Standard | LTE-TDD, LTE-FDD, UMTS |
| 4G Card Type | Nano-SIM |
| Protocols | IPv4, IPv6, IGMP, ICMP, ARP, TCP, UDP, DHCP, PPPoE, RTP, RTSP, RTCP, RTMP, DNS, DDNS, NTP, FTP, UPnP, HTTP, HTTPS, QoS, SMTP, 802.1x, SSL/TLS, SNMP |
| Compatible Integration | ONVIF (Profile S, Profile G, Profile T), API, SDK |
| User/Host | Up to 32 users. 3 user levels: administrator, common user and operator |
| Security | Password Protection, Strong Password, HTTPS Encryption, Export Operation Logs, Basic and Digest Authentication for RTSP, Digest Authentication for HTTP, TLS 1.2, WSSE and Digest Authentication for ONVIF |
| Client | UNV-Link, UNV-Link Pro, EZStation |
| Web Browser | Plug-in required live view: IE 10+, Chrome 45+, Firefox 52+, Edge 79+, Plug-in free live view: Chrome 57+, Firefox 58+, Edge 16+ |
| Interface | |
| Audio I/O | 1 Input: impedance 35 k Ω , amplitude 2 V [p-p], 1 Output: impedance 600 Ω , amplitude 2 V [p-p] |
| Alarm I/O | 1/1 |
| Serial Port | N/A |
| Built-in Mic | Support |
| Built-in Speaker | Support |
| WIFI | N/A |
| Network | 1 \times RJ45 10 M/100 M Base-TX Ethernet |
| Video Output | N/A |
| Certification | |
| Protection | IP67 (IEC 60529) |
| General | |
| Power | DC 12V \pm 25% Power consumption: Max 6.9W |
| Power Interface | \varnothing 5.5 mm coaxial power plug |
| Dimensions | 169 \times 113 \times 96mm (6.7'' \times 4.4'' \times 3.8'') |

| | |
|---------------------|---|
| Weight | 0.47kg (1.04lb) |
| Material | Graphene + Metal |
| Working Environment | -30 °C to 60 °C (-22 °F to 140 °F), Humidity: ≤ 95% RH (non-condensing) |
| Storage Environment | -30 °C to 60 °C (-22 °F to 140 °F), Humidity: ≤ 95% RH (non-condensing) |
| Surge Protection | 4 KV |
| Reset Button | Support |
| Web Client Language | 20 Languages: Traditional Chinese, English, Simplified Chinese, Polish, German, Russian, French, Korean, Dutch, Czech, Portuguese (Europe), Portuguese (Brazil), Japanese, Thai, Turkish, Spanish (Latin America), Spanish (Europe), Hungarian, Italian, Vietnamese |

Dimensions

Aggregate product size diagram using "main model" as an example



Zhejiang Uniview Technologies Co., Ltd.

No. 369, Xietong Road, Xixing Sub-district, Binjiang District, Hangzhou City, 310051, Zhejiang Province, China

Email: overseasbusiness@uniview.com; globalsupport@uniview.com

<http://www.uniview.com>

©2024-2025 Zhejiang Uniview Technologies Co., Ltd. All rights reserved.

*Product specifications and availability are subject to change without notice.

*Despite our best efforts, technical or typographical errors may exist in this document. Uniview cannot be held responsible for any such errors and reserves the right to change the contents of this document without prior notice.