

4MP LightHunter Intelligent Bullet Network Camera

IPC264SA-AHDX4K-I1



Features

- High quality image with 4MP,1/1.8" CMOS sensor
- 2688*1520@60fps in the main stream, deliver detailed live while 60fps keeping it smooth and closer to the real image
- Ultra 265, H.265, H.264, MJPEG
- Smart intrusion prevention, support false alarm filtering, include Cross Line, Intrusion, Enter Area, Leave Area detection
- LightHunter technology ensures ultra-high image quality in low illumination environment
- Up to 130 dB Optical WDR (Wide Dynamic Range)
- 5 mixed-lights, up to 120m IR range, up to 30m warm light
- DC12V or PoE (IEEE 802.3at) power supply
- Built-in heater, allow low temperature start-up at -40°C
- Audio 2 in and 1 out, Alarm 3 in and 2 out
- IP67,IK10
- *Intelligent function supported when frame rate is below 30

Specifications

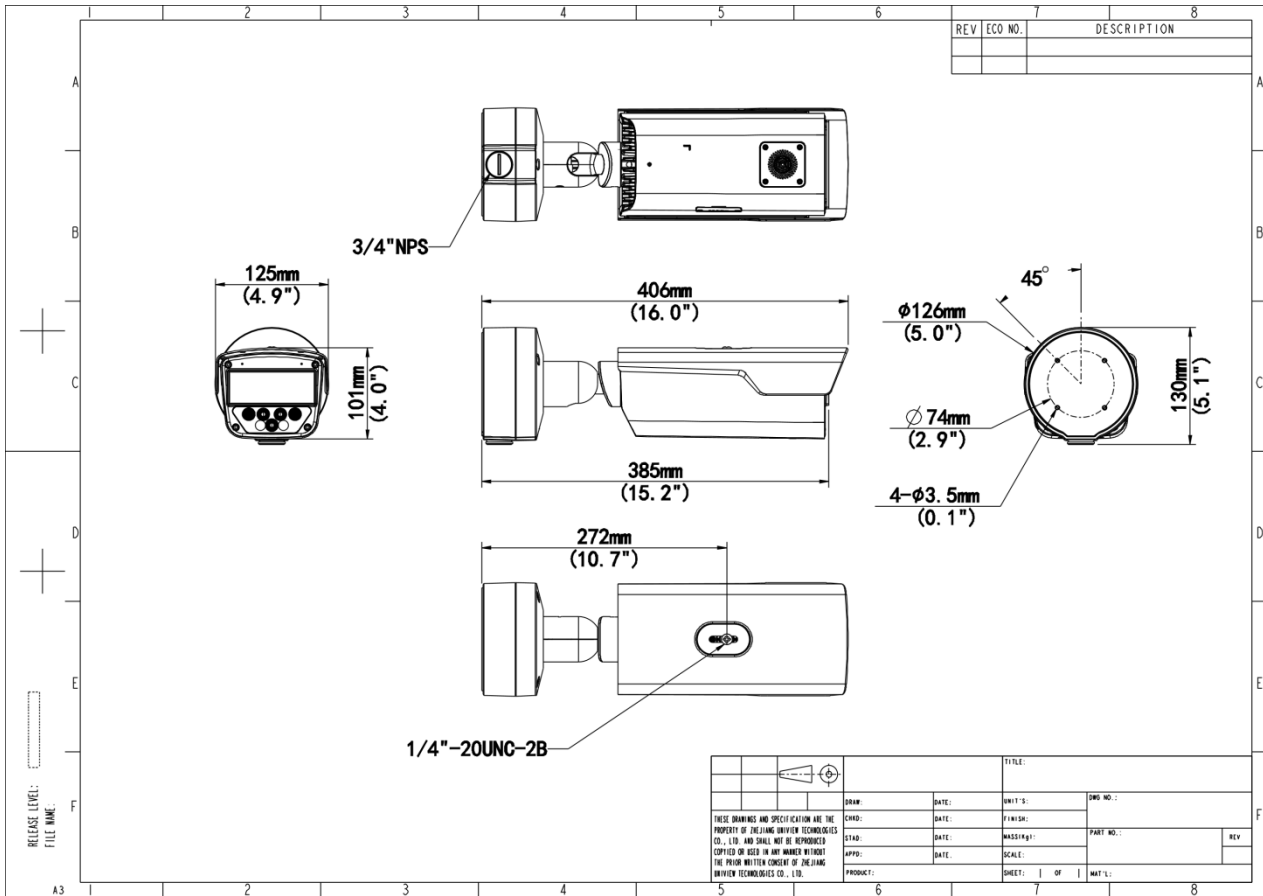
Model	IPC264SA-AHDX4K-I1
Camera	
Sensor	1/1.8" CMOS
Min. Illumination	Colour:0.001lux (F1.6, AGC ON) 0 lux with Light
Day/Night	IR-cut filter with auto switch (ICR)
Shutter	Auto/Manual, 1 to 1/100000 s
WDR	130 dB
S/N	>56 dB
Lens	
Focal Length	8 to 32 mm
Iris	F1.6
Field of View (H)	42.6°~15.2°
Field of View (V)	23.5°~8.9°
Field of View (D)	52.4°~17.9°
Iris Type	P-iris
DORI	
DORI Distance (Lens)	8~32(mm)
DORI Distance (Detect)	165.7m(543.7ft)~444.4m(1458.1ft)
DORI Distance (Observe)	66.3m(217.5ft)~177.8m(583.2ft)
DORI Distance (Recognize)	33.1m(108.7ft)~88.9m(291.6ft)
DORI Distance (Identify)	16.6m(54.4ft)~44.4m(145.8ft)
Illuminator	
Illumination Distance (Warm Light)	30 m (98.4 ft)
Illumination Distance (IR)	120 m (393.7 ft)
IR On/Off Control	Auto/Manual
Wavelength	750 nm
Video	
Frame Rate-Main Stream	4MP(2688*1520), Max 60fps

Video Compression	Ultra 265, H.265, H.264, MJPEG
Frame Rate-Sub Stream	2MP(1920*1080), Max 60fps
Video Bit Rate	128 Kbps to 16 Mbps
Privacy Mask	Up to 8 areas (8 blacks / 8 mosaics)
ROI	Support
Video Stream	Triple Streams
Frame Rate-Third Stream	D1 (720*576), Max 60fps
OSD	Up to 10 OSDs
Intelligent	
Traffic Monitoring	Support capturing car license picture and collect other car information when the car passes tripwire, Up to 4 lanes can be set, Two types of application mode available: High/Low pole
People Counting	Support People Flow Counting and Crowd Density Monitoring
Smart Intrusion Prevention	Cross line detection, intrusion detection, enter area detection, leave area detection (support false alarm filtering and the classification of human, non-motor vehicle and vehicle)
Image	
White Balance	Auto, Outdoor, Fine Tune, Sodium Lamp, Locked, Auto2
Digital Noise Reduction	2D/3D DNR
Smart IR	Support
Flip	Flip Vertical, Flip Horizontal, Normal, 180°, 90° Clockwise, 90° Anti-clockwise
HLC	Support
BLC	Support
Defog	Digital Defog
Heatwave Reduction	N/A
Events	
Basic Detection	Motion Detection, Tampering Alarm, Audio Detection, Ultra Motion Detection
General Function	Watermark, IP Address Filtering, Access Policy, ARP Protection, RTSP Authentication, User Authentication, HTTP Authentication, Alarm Input, Alarm Output
Audio	
Audio Compression	G.711U, G.711A
Audio Bitrate	128 Kbps

Two-way Audio	Support
Suppression	Support
Sampling Rate	16KHZ
Storage	
Edge Storage	Micro SD, up to 512 GB
Network Storage	ANR, NAS (NFS)
Network	
Protocols	SSH, IGMP, RTP, RTCP, SMTP, IPv4, IPv6, ICMP, ARP, TCP, UDP, DHCP, PPPoE, RTSP, RTMP, DNS, DDNS, NTP, FTP, UPnP, HTTP, HTTPS, 802.1x, SNMP, QoS, SSL/TLS
Compatible Integration	ONVIF (Profile S, Profile G, Profile T, Profile M), API, SDK
User/Host	Up to 32 users. 3 user levels: administrator, common user and operator
Security	TLS1.3, Password Protection, Strong Password, HTTPS Encryption, Export Operation Logs, Basic and Digest Authentication for RTSP, Digest Authentication for HTTP, TLS 1.2, WSSE and Digest Authentication for ONVIF
Client	EZStation, UNV-Link, UNV-Link Pro
Web Browser	Plug-in required live view: IE 10+, Chrome 45+, Firefox 52+, Edge 79+, Plug-in free live view: Chrome 57+, Firefox 58+, Edge 16+
PTZ	
Home Position	Support
Interface	
Audio I/O	2 Input: impedance 1 k Ω , amplitude 2.5 V [p-p], 1 Output: impedance 600 Ω , amplitude 2.5 V [p-p]
Alarm I/O	3/2
Serial Port	1 channel RS485 interface
Built-in Mic	Built-in two mics
Built-in Speaker	Support
Network	1 \times RJ45 10 M/100 M Base-TX Ethernet
Certification	
EMC	CE-EMC (EN 55032: 2015+A1:2020,EN 61000-3-3: 2013+A1: 2019,EN IEC 61000-3-2: 2019+A1: 2021,EN 55035: 2017+A11:2020) FCC (FCC CFR 47 part15 B, ANSI C63.4-2014)

Safety	CE LVD (EN 62368-1:2014+A11:2017) UL (UL 62368-1, 2nd Ed., Issue Date: 2014-12-01)
Environment	CE-RoHS (2011/65/EU;(EU)2015/863); WEEE (2012/19/EU); Reach (Regulation (EC) No 1907/2006)
Protection	IP67 (IEC 60529:1989+AMD1:1999+AMD2:2013) IK10 (IEC 62262:2002)
General	
Power	DC12V(±25%) , PoE+ (IEEE 802.3at)
Power Consumption	Max 23W
Heater	Support
Power Interface	Ø5.5 mm coaxial power plug
Dimensions	406 x 126 x 130 mm (16.0" x 5.0" x 5.1") (L x W x H)
Weight	2.14kg(4.72lb)
Working Environment	-40 °C to 60 °C (-40 °F to 140 °F), Humidity: ≤ 95% RH (non-condensing)
Storage Environment	-40 °C to 70 °C (-40 °F to 158 °F), Humidity: ≤ 95% RH (non-condensing)
Surge Protection	6 KV
Reset Button	Support
Web Client Language	22 Languages: Traditional Chinese, English, Simplified Chinese, Polish, German, Russian, French, Korean, Dutch, Czech, Portuguese (Europe), Portuguese (Brazil), Japanese, Thai, Turkish, Spanish (Latin America), Spanish (Europe), Hungarian, Italian, Vietnamese, Arabic, Slovak

Dimensions



Accessories

TR-UP06-C-IN

Pole Mounting Bracket for Bullet Junction Box Only



Zhejiang Uniview Technologies Co., Ltd.

No. 369, Xietong Road, Xixing Sub-district, Binjiang District, Hangzhou City, 310051, Zhejiang Province, China

Email: overseasbusiness@uniview.com; globalsupport@uniview.com

<http://www.uniview.com>

©2023-2025 Zhejiang Uniview Technologies Co., Ltd. All rights reserved.

*Product specifications and availability are subject to change without notice.

*Despite our best efforts, technical or typographical errors may exist in this document. Uniview cannot be held responsible for any such errors and reserves the right to change the contents of this document without prior notice.