

Analog Kit

KIT/XVR301-08Q3/8*UAC-T115-F28



Features

UAC-T115-F28

- 5MP high quality image
- TVI/AHD/CVI/CVBS
- IR-cut filter with auto switch (ICR)
- Supports 180° horizontal flip, 180° vertical flip
- OSD configuration menu, easy to operate
- IP67 waterproof and dustproof design, high reliability
- OSD configuration menu in 11 languages
- 3-Axis

XVR301-08Q3

- Support H.265/H.264 video formats
- Support audio over coaxial cable(only for TVI cameras)
- Support TVI, AHD, CVI, CVBS, IP cameras with adaptive access
- 8-channel BNC input
- Support 1-ch CVBS output, 1-ch VGA output, 1-ch HDMI output at up to 4K(3840 x 2160)
- HDMI and VGA simultaneous output
- Long transmission distance over coaxial cable
- Support mainstream cameras of ONVIF and RTSP protocols

Specifications

UAC-T115-F28

Model	UAC-T115-F28	UAC-T115-F40
Sensor		
Pixel	5 MP	
Sensor Size	1/2.7" CMOS	
Min. Illumination	0.02 lux (F2.0, AGC ON) 0 lux (IR on)	
Lens		
Focus	2.8 mm	4.0 mm
Lens Mount	M12	
Angle of View (H)	102.2°	82.9°
Angle of View (V)	53.9°	46.1°
Angle of View (D)	124.8°	100.0°
Illuminator		
Illuminator Number	One IR illuminator	
Illumination Distance	20m	
Lifetime	≥ 60000 hours	
Video		
Resolution	5MP@25fps: 2880(H)×1620(V); 5MP@20fps: 2592(H)×1944(V); 5MP@12.5fps: 2592(H)×1944(V) 4MP: 2560(H)×1440(V) 1080P: 1920(H)×1080(V)	
Frame Rate	TVI: 5MP@20fps (default), 5MP@12.5fps, 4MP@25fps, 4MP@30fps, 1080P@25fps, 1080P@30fps AHD: 5MP@20fps, 4MP@25fps, 4MP@30fps, 1080P@25fps, 1080P@30fps CVI: 5MP@25fps, 4MP@25fps, 4MP@30fps, 1080P@25fps, 1080P@30fps CVBS: PAL, NTSC	
Shutter Time	PAL: 1/25s-1/50000s, NTSC: 1/30s-1/50000s	
Image		
Exposure Mode	Four modes: Global (default), BLC, HLC, DWDR	
Day/Night	Three modes: Auto (default), Day, Night	
Digital Noise Reduction	2D	
White Balance	Two modes: Auto (default), Manual	

WDR	DWDR
Smart IR	Support
Flip	Supports 180°horizontal flip, 180°vertical flip
Interface	
Power Interface	5.5 mm Power Interface
Video Output	BNC, supports TVI/AHD/CVI/CVBS
Operating Environment	
Temperature	-30°C to 60°C (-22°F to 140°F)
Humidity	≤ 95% RH (non-condensing)
Surge Protection	4 KV for power, 4 KV for video output interfaces
General	
Power	DC 12 V ± 25%
Power Consumption	MAX 3.6W
Mount	Wall Mount, Pole Mount, Corner Mount, Pendant Mount
Dimensions	Φ118mm*96mm (diameter*height)
Material	Plastic
Weight	182g(0.401lb)
OSD Menu Language	11 Languages: English, German, Spanish (Latin America), French, Italian, Japanese, Korean, Polish, Portuguese (Brazil), Russian, Turkish
Certification	
EMC	CE-EMC (EN 55032, EN 61000-3-3, EN IEC 61000-3-2, EN 55035), FCC (FCC 47 CFR part15 B)
Safety	CE-LVD (EN 62368-1)
Environment	CE-RoHS (2011/65/EU; (EU) 2015/863); WEEE (2012/19/EU)
Protection	IP67 (IEC 60529)

XVR301-08Q3

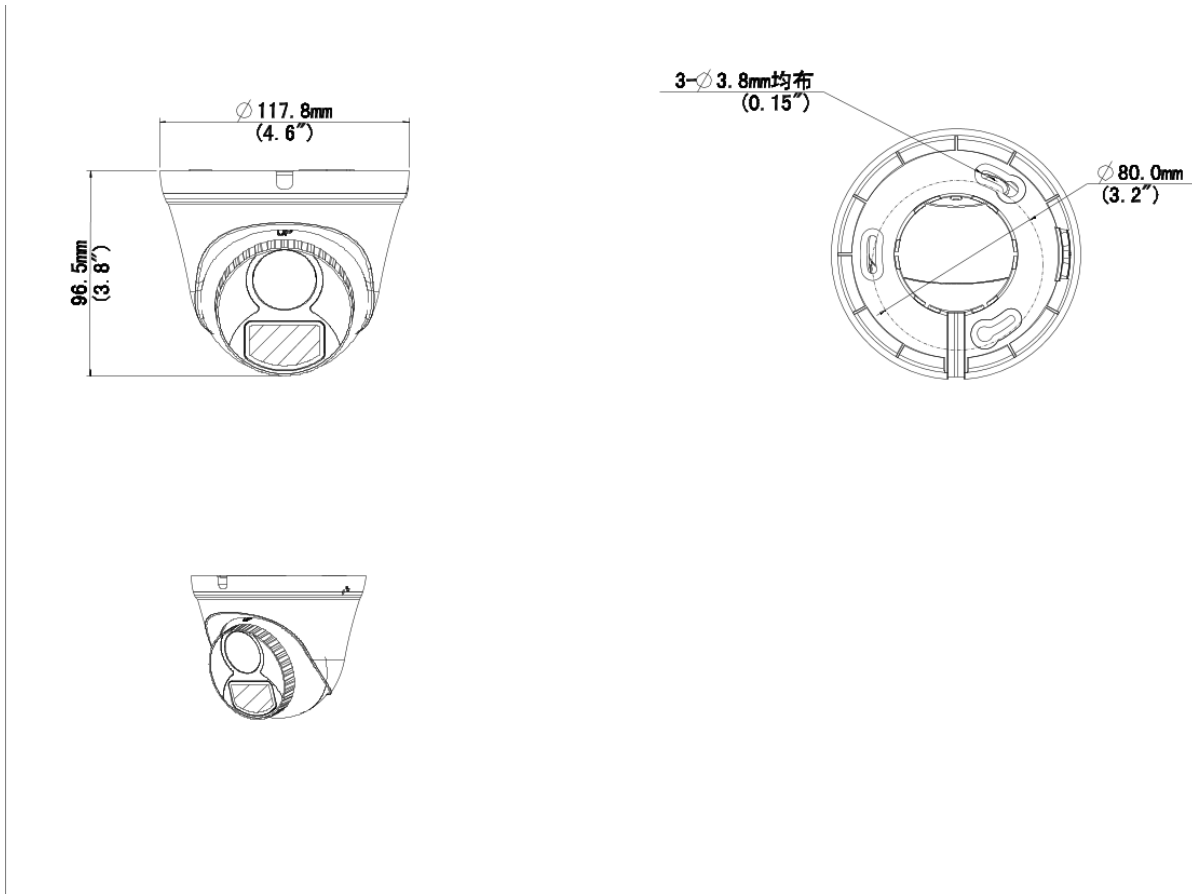
Model	XVR301-08Q3
Video/Audio Input	
IP Video Input	4-ch
Analog Video Input	8-ch, BNC
Max IP Video Input	12-ch

Supported Analog Camera Types	<p>Support AHD input:</p> <p>8MP@15fps 5MP@20fps 4MP@30fps 1080P@30fps 720P@30fps</p> <p>Support TVI input:</p> <p>8MP@15fps 3K@20fps 5MP@20fps 4MP@30fps 1080P@30fps 720P@30fps</p> <p>Support CVI input:</p> <p>8MP@15fps 5MP@25fps 4MP@30fps 1080P@30fps 720P@30fps</p> <p>Support CVBS input</p>
BNC Audio Input	8-ch, channel audio
RCA Audio Input	1-ch
Video/Audio Output	
HDMI Output	HDMI: 4K (3840 × 2160)/30 Hz, 1920 × 1080/60 Hz, 1920 × 1080/50 Hz, 1600 × 1200/60 Hz, 1280 × 1024/60 Hz, 1280 × 720/60 Hz, 1024 × 768/60 Hz
VGA Output	VGA: 1920 × 1080/60 Hz, 1920 × 1080/50 Hz, 1600 × 1200/60 Hz, 1280 × 1024/60 Hz, 1280 × 720/60 Hz, 1024 × 768/60 Hz
BNC Video Output	1-ch
RCA Audio Output	1-ch
Live View Display	HDMI/VGA: 1/4/6/8/9/16
Encoding/Decoding	
Recording Resolution	8MP Lite/5MP Lite/4MP Lite/1080P/720P/D1
Recording Frame Rate	<p>Main stream: 8MP Lite@8fps Sub stream: D1@8fps</p> <p>Main stream: 3K Lite@12fps Sub stream: D1@12fps</p> <p>Main stream: 5MP Lite@12fps Sub stream: D1@12fps</p> <p>Main stream: 4MP Lite@15fps Sub stream: D1@15fps</p> <p>Main stream: 1080P@15fps Sub stream: D1@15fps</p> <p>Main stream: 720P@30fps Sub stream: D1@30fps</p>

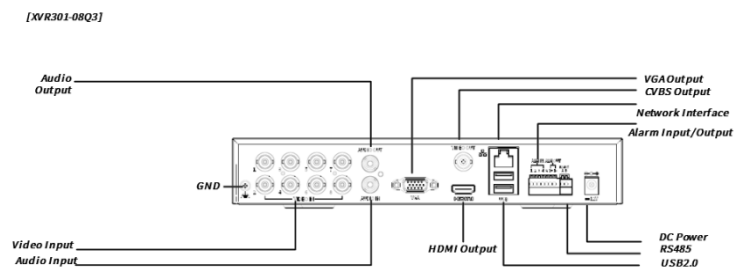
Audio Sample Rate	8 kHz, 16 bit per channel
Audio Bit Rate	64 Kbps per channel
Decoding Capability	Analog: 8 x 8MP Lite@8, 8 x 3K Lite@12, 8 x 5MP Lite@12, 8 x 4MP Lite@15, 8 x 1080P@15 IP: 1 x 8MP@30, 2 x 4MP@30, 4 x 1080P@30
Two-way Audio	
Two-way Audio	1-ch, RCA (Using the audio input and output)
Analog Snapshot	
FTP/Schedule/Event Snapshot	Schedule/FTP/Event snapshot:8-ch snapshot, up to 704*576 resolution
Network	
Incoming Bandwidth	40Mbps (Up to 56Mbps after all analog channel conversion)
Outgoing Bandwidth	64Mbps
Remote Users	128
Protocols	TCP/IP, P2P, UPnP, DHCP, HTTP, HTTPS, DNS, DDNS, SMTP, NTP
Browser(Plugin)	IE10, IE11, Chrome 45+, Edge 79+, Firefox 52+
Smart	
Analog Smart by XVR	SIP (Intrusion Detection, Cross Line Detection, Enter Area, Leave Area), Ultra Motion Detection (UMD)
IP Smart by IPC	Face Detection, SIP (Intrusion Detection, Cross Line Detection, Enter Area, Leave Area), Defocus Detection, Scene Change Detection, Object Removed, Object Left Behind, Auto Tracking
VCA Search	Face Search, Behavior Search
Smart Functions by XVR	8-ch (UMD), 2-ch (SIP)
Smart Functions by IP Camera	2-ch (SIP)
Alarm	
General Alarm	Motion
Alert Alarm	IP Conflict, Network Disconnected, Disk offline, Disk Abnormal, Illegal Access, Hard Disk Space Low, Hard Disk Full, Recording/Snapshot Abnormal
GUI Language	
GUI Language	38 languages: Simplified Chinese, Traditional Chinese, English, Vietnamese, Thai, Turkish, Spanish (Latin America), Portuguese (Brazil), Spanish, Portuguese, French, German, Italian, Dutch, Polish, Czech, Hungarian, Slovak, Russian, Hebrew, Arabic, Ukrainian, Estonian, Bulgarian, Greek, Romanian, Danish, Swedish, Norwegian, Finnish, Croatian, Slovenia, Serbia, Korean, Japanese, Latvian, Lithuanian, Persian

Hard Disk	
SATA	1 SATA interface
Capacity	Up to 16 TB for each HDD (The maximum HDD capacity varies with environment temperature)
External Interface	
Network Interface	1 RJ45 10 M/100 M self-adaptive Ethernet Interface
USB	Rear panel: 2 × USB2.0
RS485	1
Alarm In	4-ch
Alarm Out	1-ch
Power Supply	DC 12 V/2 A
Working Environment	
Working Temperature	-10 °C to 55 °C (14 °F to 131 °F)
Working Humidity	≤ 90% RH (non-condensing)
Power Consumption (without HDD)	≤ 10W
Dimensions	
Weight (without HDD)	≤1.1 Kg (2.42lb)
Dimensions	260mm ×226mm× 47mm (10.2" × 8.9"×1.8")
Certification	
Certification	CE, FCC, UL, RoHS, WEEE
CE	EN 55032, EN 61000-3-3, EN IEC 61000-3-2, EN 55035
FCC	Part15 Subpart B

Dimensions



Rear Panel



Zhejiang Uniview Technologies Co., Ltd.

No. 369, Xietong Road, Xixing Sub-district, Binjiang District, Hangzhou City, 310051, Zhejiang Province, China

Email: overseasbusiness@uniview.com; globalsupport@uniview.com

<http://www.uniview.com>

©2024-2025 Zhejiang Uniview Technologies Co., Ltd. All rights reserved.

*Product specifications and availability are subject to change without notice.

*Despite our best efforts, technical or typographical errors may exist in this document. Uniview cannot be held responsible for any such errors and reserves the right to change the contents of this document without prior notice.