

8MP ANPR LightHunter Network Bullet Camera

IPS-HC268



4K

Ultra
H.265



ANPR



Built-in Mic



Edge Storage



IP 67



IK 10

Features

- High quality image with 8MP,1/1.8"CMOS sensor
- 3840*2160@60fps in the main stream, which can offering more details of fast moving objects
- Ultra 265, H.265, H.264, MJPEG
- ANPR supports capturing and recognizing car license plate according to the set country or area
- Adjustable far and near lights, suitable for different capture situation
- 8~32mm focal lens, suitable for road scenarios
- Wise-ISP technology, comprehensive improvement in image quality
- Audio 2 in and 1 out, Alarm 3 in and 2 out
- Built in heater, support normal start up at low temperature
- Micro SD, up to 512 GB
- DC12V or PoE (IEEE 802.3at) power supply
- IP67,IK10
- *In according to get the best intelligent performance, please refer to engineering survey guide.

Specifications

Model	IPS-HC268@HDX4-IR-I1	IPS-HC268@HDX4-WH-I1
Camera		
Max Resolution	8 MP	
Sensor	1/1.8" CMOS	
Min. Illumination	Colour:0.003 lux (F1.6, AGC ON) B/W:0.002 lux (F1.6, AGC ON) 0 lux with IR	Colour:0.003 lux (F1.6, AGC ON) 0 lux with Light
Day/Night	IR-cut filter with auto switch (ICR)	
Shutter	Auto/Manual, 1 to 1/100000 s	
WDR	140 dB	
Adjustment Angle	Pan: 0° to 360° Tilt: 0° to 90° Rotate: 0° to 360°	
S/N	>56 dB	
Case Type	Bullet	
Lens		
Focal Length	8 to 32 mm	
Digital Zoom	16X	
Optical Zoom	4X	
Iris	F1.6	
Field of View (H)	42°~15.3°	
Field of View (V)	22.6°~8.8°	
Field of View (D)	51.7°~18.1°	
Iris Type	P-iris	
DORI		
DORI Distance (Detect)	240.3m(788.4ft)~644.4m(2114.2ft)	
DORI Distance (Observe)	96.1m(315.4ft)~257.8m(845.7ft)	
DORI Distance (Recognize)	48.1m(157.7ft)~128.9m(422.8ft)	
DORI Distance (Identify)	24.0m(78.8ft)~64.4m(211.4ft)	
Illuminator		

Illumination Distance (Warm Light)		40 m (131.2 ft)
Illumination Distance (IR)	40 m (131.2 ft)	
Light On/Off Control	Auto/Manual	
Wavelength	850 nm	
Video		
Frame Rate-Main Stream	8MP(3840*2160), Max 60fps	
Video Compression	Ultra 265, H.265, H.264, MJPEG	
Frame Rate-Sub Stream	2MP(1920*1080), Max 60fps;	
Video Bit Rate	128 Kbps to 16 Mbps	
U-code	Support	
Frame Rate-Third Stream	D1 (720*576), Max 60fps	
ROI	Up to 8 areas	
Frame Rate Recommendation	3840*2160@60fps+1080P@60fps+D1@60fps	
Privacy Mask	Up to 8 areas (8 blacks / 8 mosaics)	
Video Stream	Triple Streams	
OSD	Up to 10 OSDs	
Image		
White Balance	Auto,Outdoor,Fine Tune,Sodium Lamp,Locked,Auto2	
Digital Noise Reduction	2D/3D DNR	
Smart IR	Support	N/A
Flip	Normal,Flip Vertical,Flip Horizontal,180°,90°Clockwise,90°Anti-clockwise	
HLC	Support	
BLC	Support	
Defog	Digital Defog	
Intelligent		
ANPR	Up to 4 car lanes can be set; Support pedestrian, motor vehicle and non-motor vehicle image capturing; Support recognizing car license plate more accurately by choosing different country/region and attribute collection;	

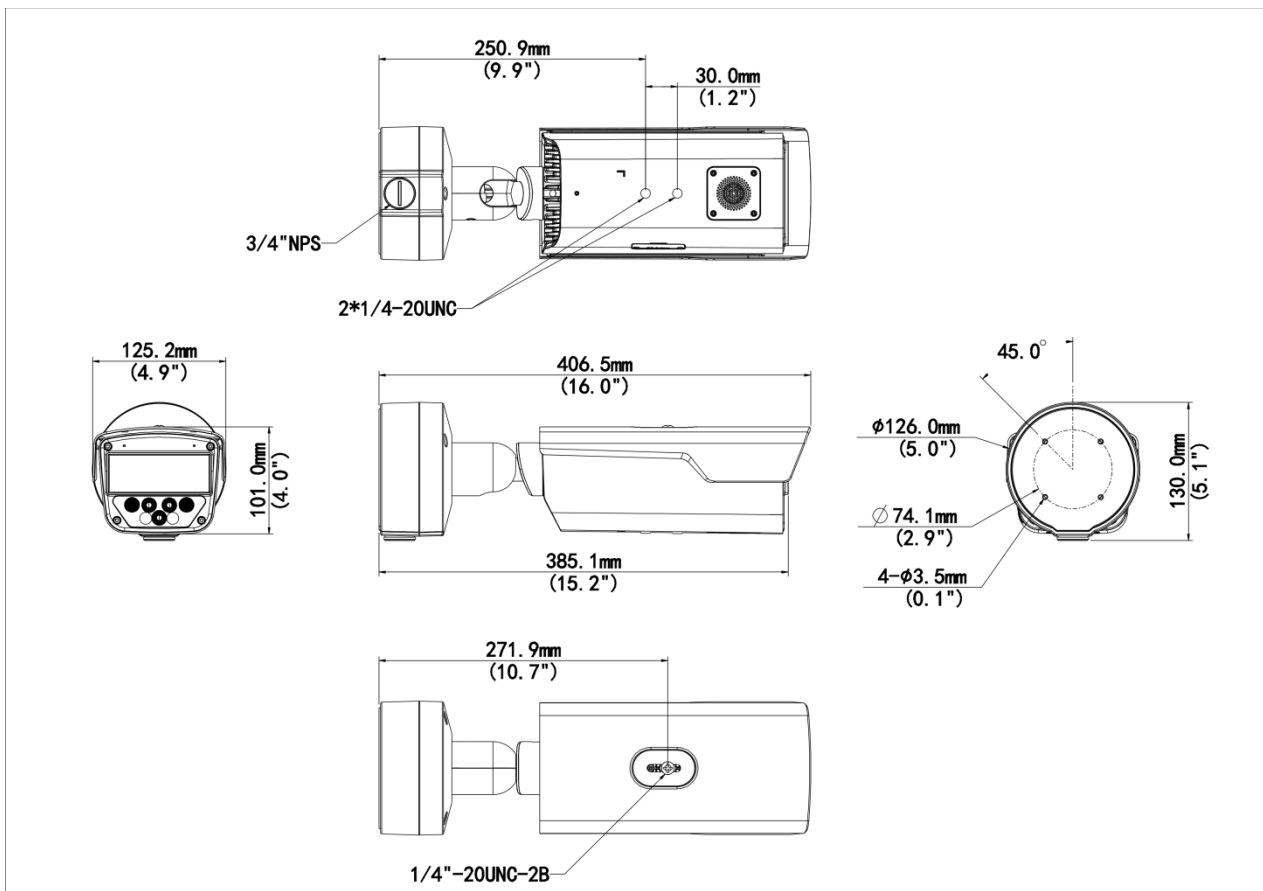
Supports Multiple Countries	North America: United States, Canada EU: France, Spain, Portugal, Germany, UK, Ireland, Bulgaria, Latvia, Romania, Slovenia, Poland, Hungary, Serbia, Czech Republic, Slovakia, Bosnia and Herzegovina, Greece, Croatia, Ukraine Asia Pacific: South Korea, Indonesia, Malaysia, Singapore Middle East: Iraq, Saudi Arabia, United Arab Emirates
Capture Speed Range	≤ 120 km/h
Events	
Basic Detection	Motion detection, Audio detection, Tampering alarm
General Function	Watermark, IP Address Filtering, Access Policy, ARP Protection, RTSP Authentication, User Authentication, HTTP authentication, Alarm input, Alarm output
Audio	
Audio Compression	G.711U, G.711A
Audio Bitrate	128 Kbps
Two-way Audio	Support
Suppression	Support
Sampling Rate	16KHZ
Storage	
Edge Storage	Micro SD, up to 512 GB
Network Storage	ANR, NAS(NFS)
Network	
Protocols	IGMP, RTP, SMTP, IPv4, IPv6, ICMP, ARP, TCP, UDP, DHCP, PPPoE, RTSP, RTCP, RTMP, DNS, DDNS, NTP, FTP, UPnP, HTTP, HTTPS, 802.1x, SNMP, QoS, SSL/TLS, SSH, TLS1.3
Compatible Integration	API, SDK, ONVIF (Profile S, Profile G, Profile T)
User/Host	Up to 32 users. 3 user levels: administrator, common user and operator
Security	Password Protection, Strong Password, HTTPS Encryption, Export Operation Logs, Basic and Digest Authentication for RTSP, Digest Authentication for HTTP, TLS 1.2, WSSE and Digest Authentication for ONVIF, TLS1.3
Client	EZStation, UNV-Link, UNV-Link Pro
Web Browser	Plug-in required live view: IE 10+, Chrome 45+, Firefox 52+, Edge 79+
PTZ	
Home Position	Support
Number of Presets	1024
Interface	
Audio I/O	2 Input: impedance 1 kΩ, amplitude 2.5 V [p-p], 1 Output: impedance 600 Ω, amplitude 2.5 V [p-p]

Alarm I/O	3/2	
Serial Port	1 channel RS485 interface	
Built-in Mic	Support, built-in mic*2	
Built-in Speaker	Support	
Network	1 × RJ45 10 M/100 M/1000 M Base-TX Ethernet	
Certification		
EMC	CE-EMC (EN 55032:2015+A11:2020+A1:2020,EN 61000-3-3:2013+A1:2019+A2:2021,EN IEC 61000-3-2: 2019+A1: 2021, EN 50130-4:2011+A1:2014) FCC (FCC CFR 47 part15 B, ANSI C63.4 2014)	
Safety	EN IEC 62368-1:2020+A11:2020 UL (UL 62368-1, 2nd Ed., Issue Date: 2014-12-01)	
Environment	CE-RoHS (2011/65/EU;(EU)2015/863); WEEE (2012/19/EU); Reach (Regulation (EC) No 1907/2006)	
Protection	IP67 (IEC 60529:1989+AMD1:1999+AMD2:2013) IK10 (IEC 62262:2002)	
General		
Power	DC12V(±25%) , PoE+ (IEEE 802.3at)	
Power Consumption	Max 18W	Max 22W
Power Interface	Ø5.5 mm coaxial power plug	
Dimensions	406 x 125 x 130mm(16.0" x 4.9" x 5.1")	
Weight	1.86Kg(4.10lb)	
Working Environment	-40°C ~ 70°C (-40°F ~ 158°F), Humidity: ≤95% RH (non-condensing)	
Storage Environment	-40°C ~ 70°C (-40°F ~ 158°F), Humidity: ≤95% RH (non-condensing)	
Surge Protection	6 KV	
Reset Button	Support	
Heater	Support	
RTC	Support	
Material	Sun shield: Plastic Front cover: Metal Body: Metal	
Live View		
Maximum Bitstream	35	
Maximum Bandwidth	50 Mbps	
OSD Font	Vector	

OSD Color	Support
OSD Character Number	40
Other	
Corridor Mode	Support

Dimensions

Aggregate product size diagram using IPS-HC268@HDX4-IR-I1 as an example



Accessories

TR-UP06-C-IN

Pole Mounting Bracket for Bullet Junction Box Only



Zhejiang Uniview Technologies Co., Ltd.

No. 369, Xietong Road, Xixing Sub-district, Binjiang District, Hangzhou City, 310051, Zhejiang Province, China (Zhejiang) Pilot Free Trade Zone, China

Email: overseasbusiness@uniview.com; globalsupport@uniview.com

<http://www.uniview.com>

©2024-2025 Zhejiang Uniview Technologies Co., Ltd. All rights reserved.

*Product specifications and availability are subject to change without notice.

*Despite our best efforts, technical or typographical errors may exist in this document. Uniview cannot be held responsible for any such errors and reserves the right to change the contents of this document without prior notice.