

Digital Video Recorder

XVR301-04/08U3



Features

- Support Ultra 265/H.265/H.264 video formats
- Support audio over coaxial cable (TVI cameras)
- Control the dual-light of UNV analog cameras under TVI
- Support TVI, AHD, CVI, CVBS, IP cameras with adaptive access
- 4/8-channel BNC input
- Support 1-ch CVBS output, 1-ch VGA output, 1-ch HDMI output at up to 4K (3840 x 2160)
- HDMI and VGA simultaneous output
- Long transmission distance over coaxial cable
- Support mainstream cameras of ONVIF and RTSP protocols

Specifications

Model	XVR301-04U3	XVR301-08U3
Video/Audio Input		
IP Video Input	4-ch	8-ch
Analog Video Input	4-ch, BNC	8-ch, BNC
Max IP Video Input	8-ch	16-ch

Supported Analog Camera Types	Support AHD input: 8MP@15fps 5MP@20fps 4MP@30fps 1080P@30fps 720P@30fps Support TVI input: 8MP@15fps 5MP@20fps 4MP@30fps 1080P@30fps 720P@30fps Support CVI input: 8MP@15fps 5MP@25fps 4MP@30fps 1080P@30fps 720P@30fps Support CVBS input	
BNC Audio Input	4-ch, channel audio	8-ch, channel audio
RCA Audio Input	1-ch	
Video/Audio Output		
HDMI Output	HDMI: 4K (3840 × 2160)/30 Hz, 1920 × 1080/60 Hz, 1920 × 1080/50 Hz, 1600 × 1200/60 Hz, 1280 × 1024/60 Hz, 1280 × 720/60 Hz, 1024 × 768/60 Hz	
VGA Output	VGA: 1920 × 1080/60 Hz, 1920 × 1080/50 Hz, 1600 × 1200/60 Hz, 1280 × 1024/60 Hz, 1280 × 720/60 Hz, 1024 × 768/60 Hz	
BNC Video Output	1-ch	
RCA Audio Output	1-ch	
Live View Display	HDMI/VGA: 1/4/6/8/9	HDMI/VGA: 1/4/6/8/9/16
Playback Screen	1/4	1/4/9/16
Encoding/Decoding		
Recording Resolution	8MP/5MP/4MP/1080P/720P/D1	

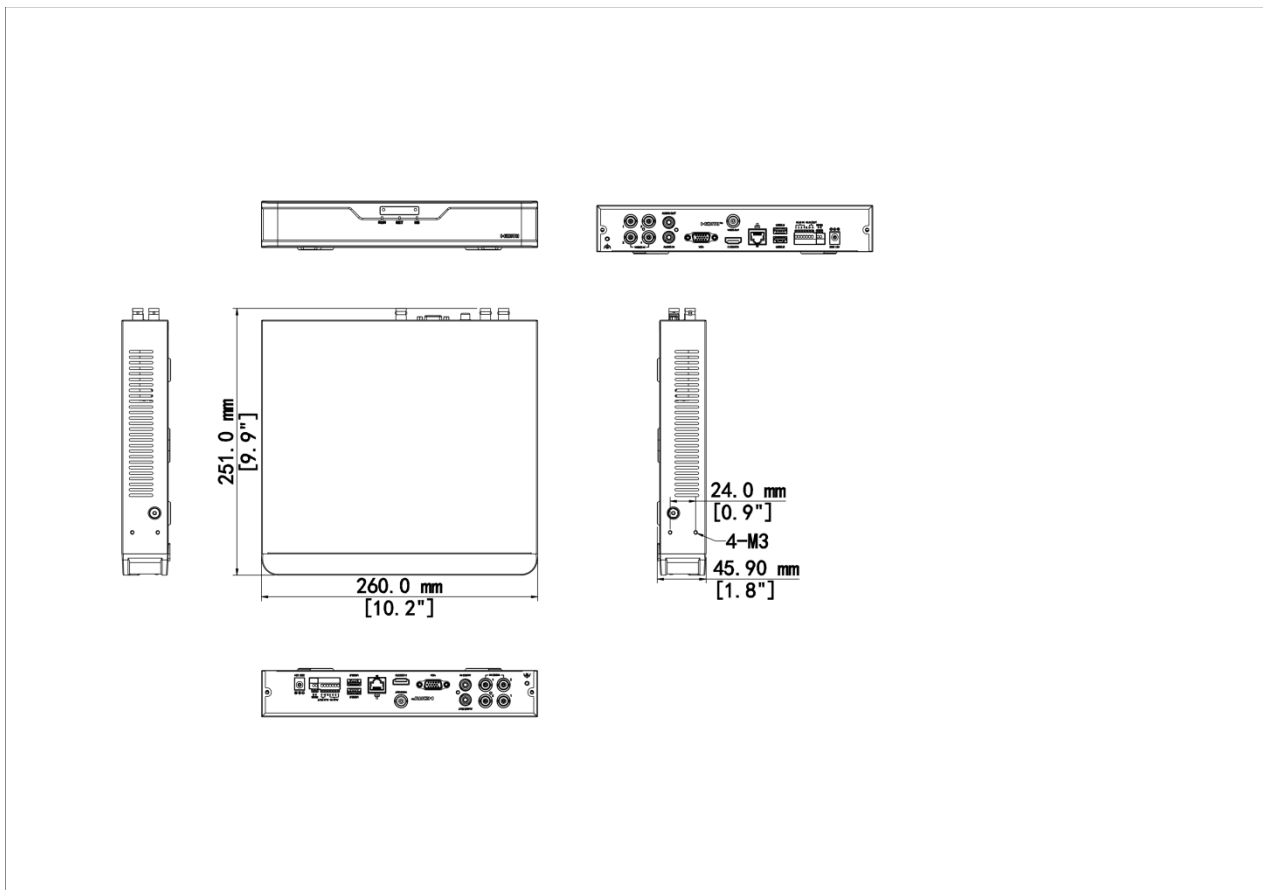
Recording Frame Rate	Main stream: 8MP@8fps Sub stream: D1@8fps Main stream: 5MP@12fps Sub stream: D1@12fps Main stream: 4MP@15fps Sub stream: D1@15fps Main stream: 1080P@25fps Sub stream: D1@25fps Main stream: 720P@30fps Sub stream: D1@30fps	
Audio Sample Rate	8 kHz, 16 bit per channel	
Audio Bit Rate	64 Kbps per channel	
Decoding Capability	Analog: 4 x 8MP @8, 4 x 5MP @12, 4 x 4MP @15, 4 x 1080P@25, 4 x 720@30 IP: 1 x 8MP@30, 2 x 4MP@30, 4 x 1080P@30, 8 x 720P@30	Analog: 8 x 8MP @8, 8 x 5MP @12, 8 x 4MP @15, 8 x 1080P@25, 8 x 720@30 IP: 2 x 8MP@30, 4 x 4MP@30, 8 x 1080P@30, 16 x 720P@30
Num of Concurrent Playback in Local	8-ch	16-ch
Coaxial Cable		
Audio over Coaxial Cable(Form)	4-ch, One-way Audio(TVI)	8-ch, One-way Audio(TVI)
Two-way Audio		
Two-way Audio	1-ch, RCA (Using the audio input and output)	
Analog Snapshot		
FTP/Schedule/Event Snapshot	Schedule/FTP/Event snapshot:4-ch snapshot, up to 704*576 resolution	Schedule/FTP/Event snapshot:8-ch snapshot, up to 704*576 resolution
Network		
Incoming Bandwidth	40Mbps (Up to 48Mbps after all analog channel conversion)	80Mbps (Up to 96 Mbps after all analog channel conversion)
Outgoing Bandwidth	64Mbps	160Mbps
Remote Users	128	
Protocols	TCP/IP, P2P, UPnP, DHCP, HTTP, HTTPS, DNS, DDNS, SMTP	
Browser(Plugin)	IE10, IE11, Chrome 45+, Edge 79+, Firefox 52+	
Smart		

Analog Smart by XVR	SIP (Intrusion Detection, Cross Line Detection, Enter Area, Leave Area) Face Detection Ultra Motion Detection (UMD)	SIP (Intrusion Detection, Cross Line Detection, Enter Area, Leave Area) Ultra Motion Detection (UMD) Face Detection
IP Smart by IPC	Face Detection, SIP (Intrusion Detection, Cross Line Detection, Enter Area, Leave Area), Defocus Detection, Scene Change Detection, Object Removed, Object Left Behind, Auto Tracking	
VCA Search	Face Search, Behavior Search	
Smart Functions by XVR	4-ch (UMD) 2-ch (SIP) 1-ch (Face Detection)	8-ch (UMD) 4-ch (SIP)
Smart Functions by IP Camera	2-ch (SIP)	4-ch (SIP)
Alarm		
General Alarm	Motion	
Alert Alarm	IP Conflict, Network Disconnected, Disk offline, Disk Abnormal, Illegal Access, Hard Disk Space Low, Hard Disk Full, Recording/Snapshot Abnormal	
GUI Language		
GUI Language	38 languages: Simplified Chinese, Traditional Chinese, English, Vietnamese, Thai, Turkish, Spanish (Latin America), Portuguese (Brazil), Spanish, Portuguese, French, German, Italian, Dutch, Polish, Czech, Hungarian, Slovak, Russian, Hebrew, Arabic, Ukrainian, Estonian, Bulgarian, Greek, Romanian, Danish, Swedish, Norwegian, Finnish, Croatian, Slovenia, Serbia, Korean, Japanese, Latvian, Lithuanian, Persian	
Hard Disk		
SATA	1 SATA interface	
Capacity	Up to 16 TB for each HDD (The maximum HDD capacity varies with environment temperature)	
External Interface		
Network Interface	1 RJ45 10 M/100 M self-adaptive Ethernet Interface	1 RJ45 10 M/100 M/1000 M self-adaptive Ethernet Interface
USB	Rear panel: 2 × USB2.0	Rear panel: 1 × USB2.0, 1 × USB3.0
RS485	1	
RS232	N/A	
Alarm In	4-ch	
Alarm Out	1-ch	
Power Supply	DC 12 V/2 A	
Working Environment		
Working Temperature	-10 °C to 55 °C (14 °F to 131 °F)	
Working Humidity	≤ 90% RH (non-condensing)	

Power Consumption (without HDD)	≤ 10W	≤ 12W
Dimensions		
Weight (without HDD)	≤1.1 Kg (2.42lb)	≤1.2 Kg (2.65lb)
Dimensions	260mm ×251mm× 46mm (10.2" × 9.9"×1.8")	
Certification		
Certification	CE, FCC, UL, RoHS, WEEE	
CE	EN 55032, EN 61000-3-3, EN IEC 61000-3-2	
FCC	Part15 Subpart B	

Dimensions

Aggregate product size diagram using XVR301-04U3 as an example



Accessories

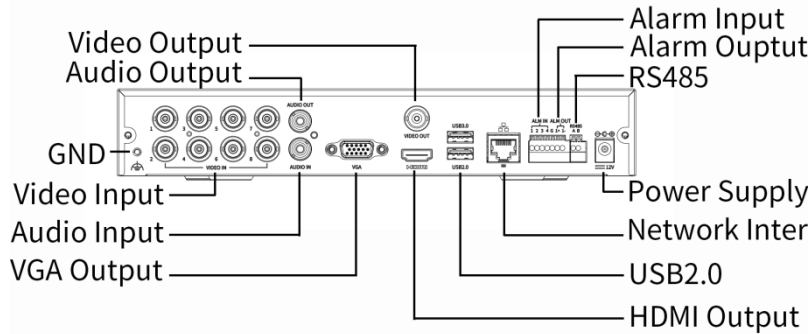
RM-1U-260

1 HDD 1U NVR Rack Mount

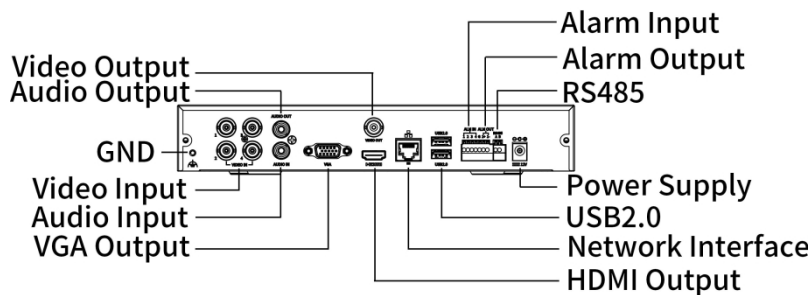


Rear Panel

[XVR301-08U3]



[XVR301-04U3]



Zhejiang Uniview Technologies Co., Ltd.

No. 369, Xietong Road, Xixing Sub-district, Binjiang District, Hangzhou City, 310051, Zhejiang Province, China

Email: overseasbusiness@uniview.com; globalsupport@uniview.com

<http://www.uniview.com>

©2024-2025 Zhejiang Uniview Technologies Co., Ltd. All rights reserved.

*Product specifications and availability are subject to change without notice.

*Despite our best efforts, technical or typographical errors may exist in this document. Uniview cannot be held responsible for any such errors and reserves the right to change the contents of this document without prior notice.