

# 4MP HD IR VF Eyeball Network Camera

IPC3634LB-ADZK-H



## Features

- High quality image with 4MP, 1/3"CMOS sensor
- 4MP (2688\*1520) @25/20fps; 4MP (2560\*1440) @25/20fps; 3MP (2304\*1296) @30/25fps; 2MP (1920\*1080) @30/25fps;
- Ultra 265, H.265, H.264, MJPEG
- 120dB true WDR technology enables clear image in strong light scene
- Support 9:16 Corridor Mode
- Smart IR, up to 40m (131ft) IR distance
- Supports 512 G Micro SD card
- IP67 protection
- Support PoE power supply
- 3-Axis

## Specifications

Model	IPC3634LB-ADZK-H
Camera	

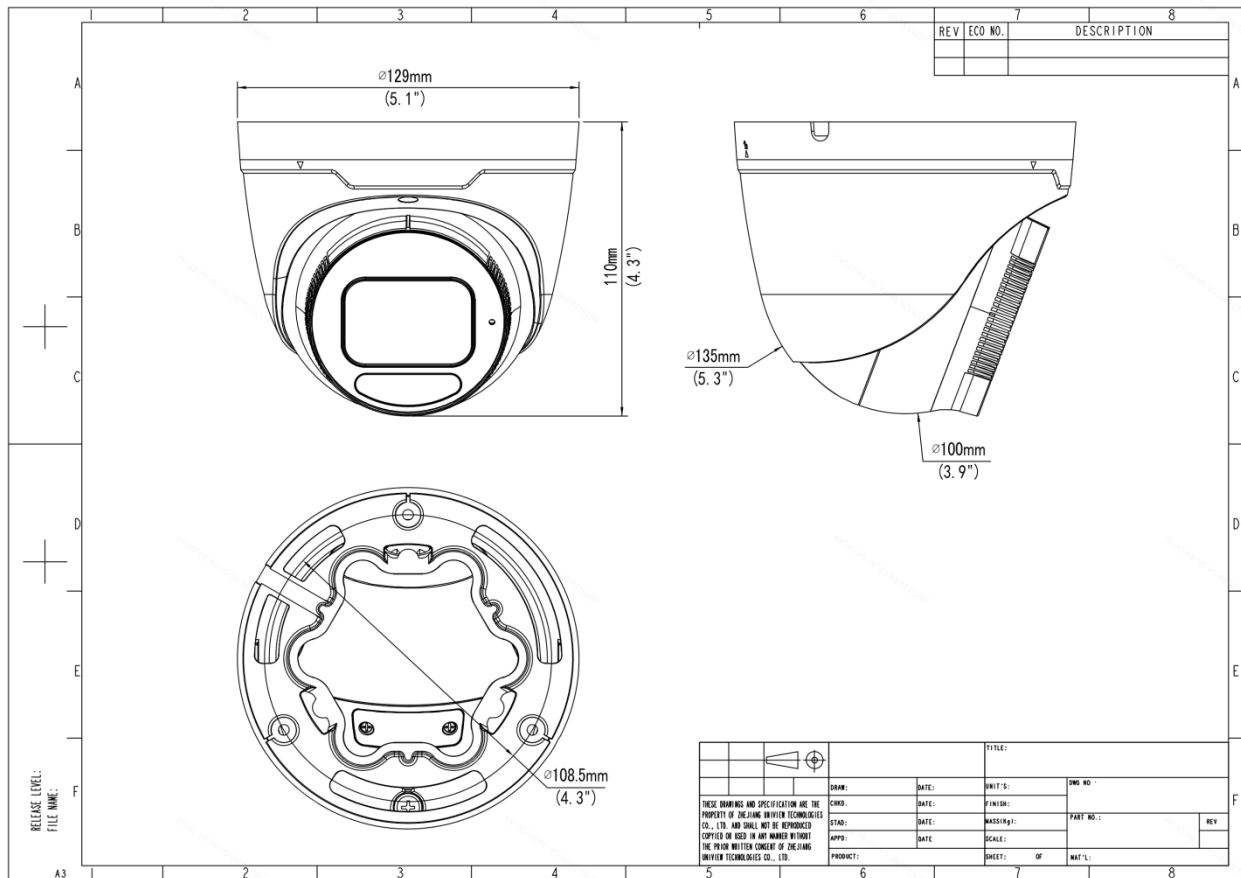
Max Resolution	4 MP
Sensor	1/3.0" CMOS
Min. Illumination	Colour: 0.003 lux (F1.6, AGC ON) 0 lux with IR on
Day/Night	IR-cut filter with auto switch (ICR)
Shutter	Auto/Manual, 1 ~ 1/100000s
Adjustment Angle	Pan: 0° ~ 360°, Tilt: 0° ~ 75°, Rotate: 0° ~ 360°
S/N	>52 dB
WDR	120 dB
<b>Lens</b>	
Focal Length	2.8 to 12 mm
Iris Type	Fixed
Iris	F1.6
Field of View (H)	91.5°~34°
Field of View (V)	51.0°~18.9°
Field of View (D)	96.0°~36.9°
<b>DORI</b>	
DORI Distance (Lens)	2.8mm, 12mm
DORI Distance (Detect)	63m(206.7ft), 270.0m(885.8ft)
DORI Distance (Observe)	25.2m(82.7ft), 108.0m(354.3ft)
DORI Distance (Recognize)	12.6m(41.3ft), 54.0m(177.2ft)
DORI Distance (Identify)	6.3m(20.7ft), 27.0m(88.6ft)
<b>Illuminator</b>	
Supplemental Light	IR
Illumination Distance (IR)	40 m (131.2 ft)
Wavelength	850 nm
IR On/Off Control	Auto/Manual
<b>Video</b>	
Video Compression	Ultra 265, H.265, H.264, MJPEG
H.264 Code Profile	Baseline profile, Main profile, High profile

Frame Rate	Main Stream: 4MP (2688*1520), Max 25fps; 4MP (2560*1440), Max 25fps; 3MP (2304*1296), Max 30fps; 1080P (1920*1080), Max 30fps; 720P(1280*720), Max 30fps; Sub Stream: 720P (1280*720), Max 30fps; D1 (720*576), Max 30fps; 640*360, Max 30fps;
Video Bit Rate	128 Kbps to 6144 Kbps
U-code	Support
OSD	Up to 4 OSDs
Privacy Mask	Up to 4 areas
ROI	Support
Video Stream	Dual Streams
<b>Image</b>	
White Balance	Auto, Outdoor, Fine Tune, Sodium Lamp, Locked, Auto2
Digital Noise Reduction	2D/3D DNR
Smart IR	Support
Flip	Normal, Flip Vertical, Flip Horizontal, 180°, 90° Clockwise, 90° Anti-clockwise
Dewarping	N/A
HLC	Support
BLC	Support
Defog	Digital Defog
<b>Events</b>	
Basic Detection	Motion Detection, Ultra Motion Detection, Tampering Alarm, Audio Detection, Cross line (based on human body detection), Intrusion (based on human body detection)
General Function	Watermark, IP Address Filtering, Access Policy, ARP Protection, RTSP Authentication, User Authentication, HTTP Authentication
<b>Audio</b>	
Audio Compression	G.711U, G.711A
Audio Bitrate	64 Kbps
Two-way Audio	N/A
Suppression	Support
Sampling Rate	8 kHz
<b>Storage</b>	
Edge Storage	Micro SD, up to 512 GB

Network Storage	ANR, NAS (NFS)
<b>Network</b>	
Protocols	IPv4, IGMP, ICMP, ARP, TCP, UDP, DHCP, RTP, RTSP, RTCP, RTMP, DNS, DDNS, NTP, FTP, UPnP, HTTP, HTTPS, SMTP, SSL/TLS, QoS, SNMP
Compatible Integration	ONVIF (Profile S, Profile G, Profile T), API, SDK
User/Host	Up to 32 users, 2 user levels: administrator and common user
Security	Password Protection, Strong Password, HTTPS Encryption, Export Operation Logs, Basic and Digest Authentication for RTSP, Digest Authentication for HTTP, TLS 1.2, WSSE and Digest Authentication for ONVIF
Client	UNV-Link, UNV-Link Pro, EZStation
Web Browser	Plug-in required live view: IE 10+, Chrome 45+, Firefox 52+, Edge 79+, Plug-in free live view: Chrome 57+, Firefox 58+, Edge 16+
<b>Interface</b>	
Audio I/O	N/A
Alarm I/O	N/A
Serial Port	N/A
Built-in Mic	Support
Built-in Speaker	N/A
WIFI	N/A
Network	1 × RJ45 10 M/100 M Base-TX Ethernet
Video Output	N/A
<b>Certification</b>	
EMC	CE-EMC (EN 55032, EN 61000-3-3, EN IEC 61000-3-2, EN 55035) FCC (FCC 47 CFR part15 B)
Safety	CE LVD (EN 62368-1) CB (IEC 62368-1) UL/CUL (UL 62368-1, CAN/CSA C22.2 No. 62368-1)
Environment	CE-RoHS (2011/65/EU;(EU)2015/863); WEEE (2012/19/EU);
Protection	IP67 (IEC 60529)
<b>General</b>	
Power	DC 12V±25%, PoE (IEEE 802.3af)
Power Consumption	Max 7.5W

Power Interface	Ø5.5 mm coaxial power plug
Dimensions	Ø129 x 110mm (Ø5.1" x 4.3") (Ø x H)
Weight	0.66kg(1.46lb)
Material	Metal
Working Environment	-30 °C to 60 °C (-22 °F to 140 °F), Humidity: ≤ 95% RH (non-condensing)
Storage Environment	-30 °C to 60 °C (-22 °F to 140 °F), Humidity: ≤ 95% RH (non-condensing)
Surge Protection	6 KV
Reset Button	Support
Web Client Language	4 Languages: English, Russian, Spanish, Vietnamese

## Dimensions



## Accessories

TR-JB03-H-IN

Junction Box for Metal Turret Camera  
(Support wiring from behind)



TR-JB07/WM03-F-IN

Wall Mounting Assembling Bracket  
with Back Hole for 3 Inch Hemisphere



TR-WM03-B-IN

Wall Mounting Assembling Bracket f  
or 3 Inch Hemisphere



TR-A01-IN

NPT 3/4" Waterproof Cable Gland



TR-UP06-IN

Universal Pole Mounting Bracket



TR-UC08-C

Bullet&Dome Corner Mounting Brac  
ket



TR-SE24-IN

Dome Pendant Mounting Pole 200mm



TR-SE24-A-IN

Dome Pendant Mounting Pole 500mm



TR-CM24-IN

Dome Pendant Mounting Bracket(Ind  
oor)



**Zhejiang Uniview Technologies Co., Ltd.**

No. 369, Xietong Road, Xixing Sub-district, Binjiang District, Hangzhou City, 310051, Zhejiang Province, China (Zhejiang) Pilot Free Trade Zone, China

Email: [overseasbusiness@uniview.com](mailto:overseasbusiness@uniview.com); [globalsupport@uniview.com](mailto:globalsupport@uniview.com)

<http://www.uniview.com>

©2023-2025 Zhejiang Uniview Technologies Co., Ltd. All rights reserved.

\*Product specifications and availability are subject to change without notice.

\*Despite our best efforts, technical or typographical errors may exist in this document. Uniview cannot be held responsible for any such errors and reserves the right to change the contents of this document without prior notice.