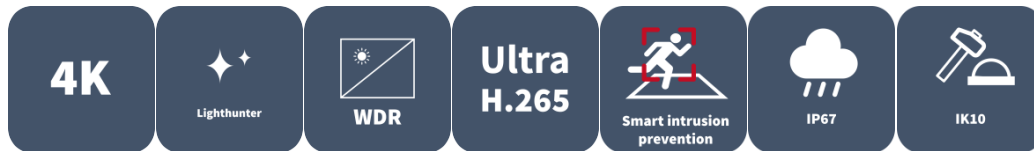


8MP WDR LightHunter IR Network Bullet Camera

IPC2228SB-ADF28KM-I1



Features

- Ultra high quality image with 8 MP, 1/2.8" CMOS sensor
- 3840 × 2160@30 fps in the main stream, sub stream can be 1080P@30 fps simultaneously
- Ultra 265, H.265, H.264, MJPEG
- Smart intrusion prevention, support false alarm filtering, including cross Line, intrusion, enter area, and leave area detection
- Lighthunter technology ensures ultra-high image quality in low illumination environments
- Support 9 : 16 corridor mode
- Up to 120 dB optical WDR (Wide Dynamic Range)
- Support smart IR, up to 80 m IR range
- DC 12 V or PoE (IEEE 802.3af) power supply
- Audio 1 in and 1 out, alarm 1 in and 1 out
- Built-in Mic
- IP67, IK10

Specifications

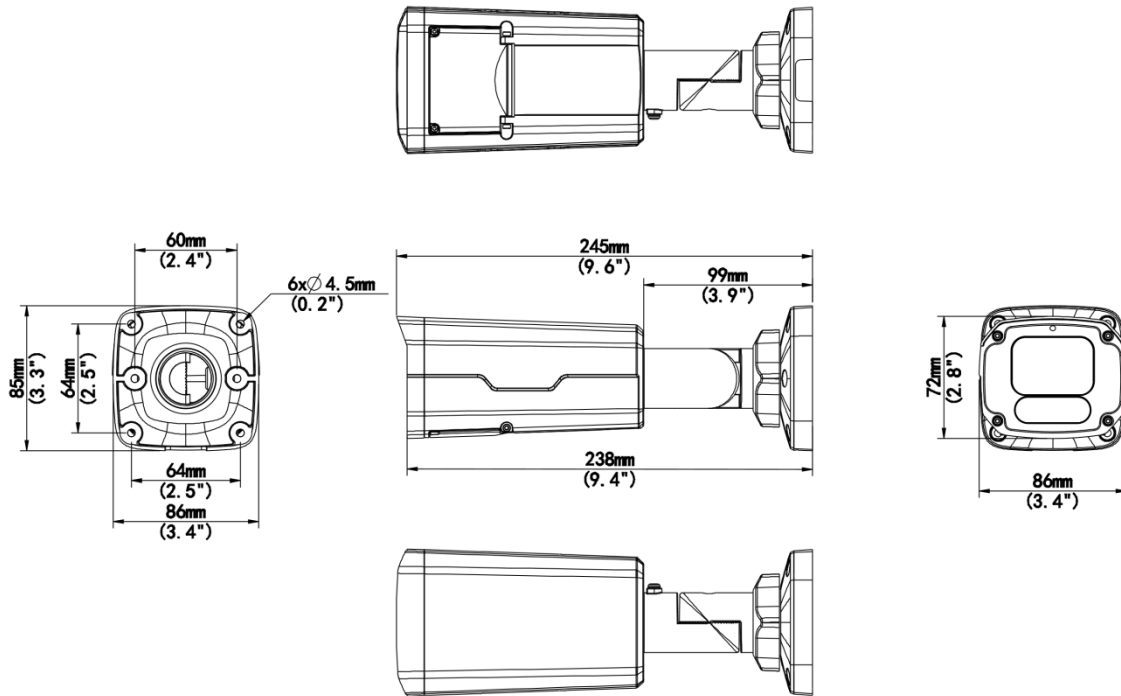
Model	IPC2228SB-ADF28KM-I1
Camera	
Max Resolution	8 MP
Sensor	1/2.8" CMOS

Min. Illumination	Colour:0.002 lux (F1.6, AGC ON) 0 lux with IR
Day/Night	IR-cut filter with auto switch (ICR)
Shutter	Auto/Manual, 1 to 1/100000 s
WDR	120 dB
S/N	>56 dB
Lens	
Focal Length	2.8 mm
Iris	F1.6
Field of View (H)	97°
Field of View (V)	53°
Field of View (D)	126.1°
Iris Type	Fixed
DORI	
DORI Distance (Lens)	2.8mm
DORI Distance (Detect)	87.0m(285.3ft)
DORI Distance (Observe)	34.8m(114.1ft)
DORI Distance (Recognize)	17.4m(57.1ft)
DORI Distance (Identify)	8.7m(28.5ft)
Illuminator	
Illumination Distance (IR)	80 m (262 ft)
Wavelength	850 nm
Video	
Frame Rate-Main Stream	8MP (3840*2160), Max 30fps
Frame Rate-Sub Stream	1080P (1920*1080), Max 30fps
Video Compression	Ultra 265, H.265, H.264, MJPEG
Privacy Mask	Up to 8 areas (8 blacks/ 8 mosaics)
Video Bit Rate	128 Kbps to 16 Mbps
Frame Rate-Third Stream	D1 (720*576), Max 30fps
ROI	Support
Video Stream	Triple Streams
OSD	Up to 10 OSDs
Image	
White Balance	Auto, Outdoor, Fine Tune, Sodium Lamp, Locked, Auto2
Digital Noise Reduction	2D/3D DNR
Smart IR	Support
Flip	Normal, Flip Vertical, Flip Horizontal, 180°, 90° Clockwise, 90° Anti-clockwise
HLC	Support
Defog	Digital Defog
Intelligent	
Smart Intrusion Prevention	Cross line detection, intrusion detection, enter area detection, leave area detection (support false alarm filtering and the classification of human, non-motor vehicle and vehicle)
Events	

Basic Detection	Motion Detection, Ultra Motion Detection, Tampering Alarm, Audio Detection
General Function	Watermark, IP Address Filtering, Access Policy, ARP Protection, RTSP Authentication, User Authentication, HTTP Authentication, Alarm Input, Alarm Output
Audio	
Audio Compression	G.711U, G.711A
Two-way Audio	Support
Suppression	Support
Sampling Rate	8 kHz, 16 kHz
Storage	
Edge Storage	Micro SD, up to 512 GB
Network Storage	ANR, NAS (NFS)
Network	
Protocols	IGMP, RTP, SMTP, IPv4, IPv6, ICMP, ARP, TCP, UDP, DHCP, PPPoE, RTSP, RTCP, RTMP, DNS, DDNS, NTP, FTP, UPnP, HTTP, HTTPS, 802.1x, SNMP, QoS, SSL/TLS, SSH
Compatible Integration	ONVIF (Profile S, Profile G, Profile T, Profile M), API, SDK
User/Host	Up to 32 users. 3 user levels: administrator, common user and operator
Security	Password Protection, Strong Password, HTTPS Encryption, Export Operation Logs, Basic and Digest Authentication for RTSP, Digest Authentication for HTTP, TLS 1.2, WSSE and Digest Authentication for ONVIF, TLS 1.3
Client	EZStation, UNV-Link, UNV-Link Pro
Web Browser	Plug-in required live view: IE 10+, Chrome 45+, Firefox 52+, Edge 79+
Interface	
Audio I/O	1 Input: impedance 1 k Ω , amplitude 2.5 V [p-p], 1 Output: impedance 600 Ω , amplitude 2.5 V [p-p]
Alarm I/O	1/1
Built-in Mic	Support
Network	1 \times RJ45 10 M/100 M Base-TX Ethernet
General	
Built-in DC12V Output	Support
Power	DC12V(\pm 25%), PoE (IEEE 802.3af)
Power Consumption	Max 10W
Power Interface	\varnothing 5.5 mm coaxial power plug
Dimensions	245 x 87 x 86 mm (9.6" x 3.4" x 3.4") (L x W x H)
Weight	0.82kg(1.81lb)
Working Environment	-30 $^{\circ}$ C to 60 $^{\circ}$ C (-22 $^{\circ}$ F to 140 $^{\circ}$ F), Humidity: \leq 95% RH (non-condensing)
Storage Environment	-40 $^{\circ}$ C to 70 $^{\circ}$ C (-40 $^{\circ}$ F to 158 $^{\circ}$ F), Humidity: \leq 95% RH (non-condensing)
Certification	
EMC	CE-EMC (EN 55032: 2015+A1:2020, EN 61000-3-3: 2013+A1: 2019, EN IEC 61000-3-2: 2019+A1: 2021, EN 55035: 2017+A11:2020) FCC (FCC CFR 47 part15 B, ANSI C63.4-2014)
Safety	CE LVD (EN 62368-1:2014+A11:2017) UL (UL 62368-1, 3rd Ed., 2021-10-22)

Environment	CE-RoHS (2011/65/EU;(EU)2015/863); WEEE (2012/19/EU); Reach (Regulation (EC) No 1907/2006)
Protection	IP67 (IEC 60529:1989+AMD1:1999+AMD2:2013) IK10 (IEC 62262:2002)

Dimensions



Accessories

TR-JB07-D-IN

Bullet Junction Box(Support wiring from behind)



TR-JB06-A-IN

Middle Bullet Junction Box(Elegant White)



TR-UP06-B-IN

Bullet Pole Mounting Bracket



TR-UP06-C-IN

Pole Mounting Bracket for Bullet Junction
Box Only



TR-A01-IN

NPT 3/4" Waterproof Cable Gland



Zhejiang Uniview Technologies Co., Ltd.

No. 369, Xietong Road, Xixing Sub-district, Binjiang District, Hangzhou City, 310051, Zhejiang Province, China (Zhejiang) Pilot Free Trade Zone, China

Email: overseasbusiness@uniview.com; globalsupport@uniview.com

<http://www.uniview.com>

©2024-2025 Zhejiang Uniview Technologies Co., Ltd. All rights reserved.

*Product specifications and availability are subject to change without notice.

*Despite our best efforts, technical or typographical errors may exist in this document. Uniview cannot be held responsible for any such errors and reserves the right to change the contents of this document without prior notice.