

# 5MP LightHunter PoC Fixed IR Turret Analog Camera

## UAC-T125-APF28LM



## Overview

UAC-T125-APF28LM is a 5MP LightHunter PoC fixed IR turret analog camera with a high-performance 1/2.7-inch CMOS sensor. It supports TVI/AHD/CVI/CVBS, which effectively enhances product adaptability and diversity of networking solutions. With SYV-75-3 or other coaxial cable types, the camera can achieve low-cost, long-distance, and anti-interference mega-pixel HD video transmission without time delay. In addition, the PoC power supply system can achieve video and power transmission on one cable, simplifying wiring and installation work, and improving structural flexibility. It supports IR-cut filter with auto-switch (ICR) and provides color images at daytime and black/white images at night. The camera also supports audio input and synchronous transmission of audio and video.

## Features

- \* Coaxial cables are recommended for video signal transmission, such as SYV-75-3, SYV-75-5, or RG59 cables.
- \* To achieve power supply on the coaxial cable, please use the camera with our PoC series XVRs.
- High quality imaging with 5MP resolution
- TVI/AHD/CVI/CVBS
- Supports IR-cut filter with auto-switch (ICR)
- LightHunter monitoring with high-sensitivity sensor
- Supports 180 horizontal flip, 180 vertical flip
- OSD configuration menu, easy to operate
- IP67 waterproof and dustproof design, high reliability

- OSD configuration menu in 11 languages
- Built-in microphone for high quality audio transmission via coaxial cables
- 3-Axis
- Support PoC power supply

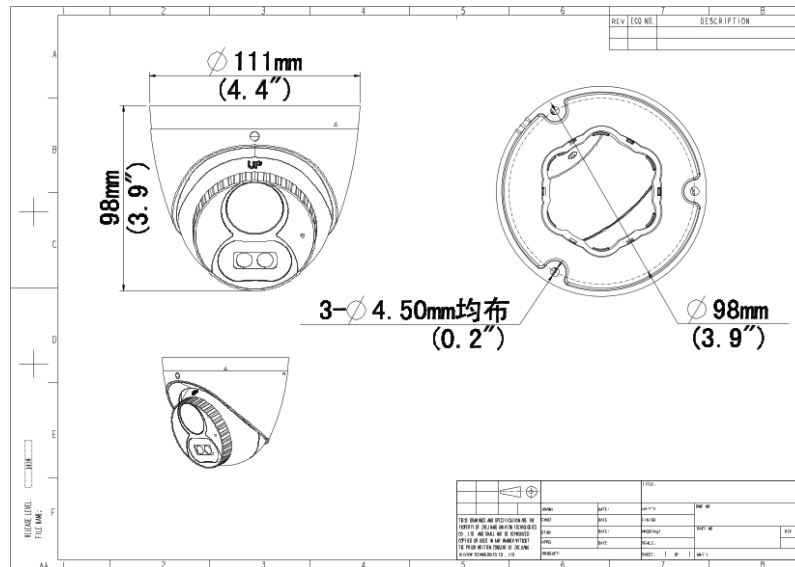
## Specifications

Sensor	Description
Pixel	5MP
Sensor Size	1/2.7" CMOS
Min. Illumination	0.005 lux (F1.6, AGC ON) 0 lux (IR on)
Lens	Description
Focus	2.8 mm
Lens Mount	M12
Angle of View (H)	109.1°
Angle of View (V)	60.9°
Angle of View (D)	126.7°
Illuminator	Description
Illuminator Number	Two IR illuminators
Illumination Distance	40m
Lifetime	≥60000 hours
Video	Description
Resolution	5MP@25fps: 2880(H)×1620(V); 5MP@20fps: 2592(H)×1944(V); 5MP@12.5fps: 2592(H)×1944(V) 4MP: 2560(H)×1440(V) 1080P: 1920(H)×1080(V)
Frame Rate	TVI: 5MP@20fps (default), 5MP@12.5fps, 4MP@30fps, 4MP@25fps, 1080P@30fps, 1080P@25fps AHD: 5MP@20fps, 4MP@30fps, 4MP@25fps, 1080P@30fps, 1080P@25fps CVI: 5MP@25fps, 4MP@30fps, 4MP@25fps, 1080P@30fps, 1080P@25fps CVBS: PAL, NTSC
Shutter Time	PAL: 1/25s-1/50000s, NTSC: 1/30s-1/50000s

Image	Description
Exposure Mode	Four modes: Global(default), BLC, HLC, DWDR
Day/Night	Three modes: Auto (default), Day, Night
Digital Noise Reduction	2D
White Balance	Two modes: Auto (default), Manual
WDR	DWDR
Smart IR	Support
Flip	Supports 180°horizontal flip, 180°vertical flip
Audio	Description
Built-in Mic	Support
Camera Audio	TVI: 5MP@20fps, 5MP@12.5fps, 4MP@30fps, 4MP@25fps, 1080P@30fps, 1080P@25fps CVI: 5MP@25fps, 4MP@30fps, 4MP@25fps * Audio function of the POC series camera is only available when the camera is used with our POC series XVRs.
Interface	Description
Power Interface	5.5 mm Power Interface
Video Output	BNC, supports TVI/AHD/CVI/CVBS
Operating Environment	Description
Temperature	-30°C to 60°C (-22°F to 140°F)
Humidity	≤95% RH (non-condensing)
Surge Protection	4KV for power; 4KV for video output interfaces
General	Description
Power	DC12V ±25%/PoC
Power Consumption	MAX 3.4W
Mount	Wall Mount; Pole Mount; Corner Mount; Pendant Mount
Dimensions	Φ 111mm*98mm (diameter*height)
Material	Metal + Plastic
Weight	370g (0.82lb)
OSD Menu Language	11 Languages English, German, Spanish (Latin America), French, Italian, Japanese, Korean, Polish, Portuguese (Brazil), Russian, Turkish
Certification	Description
EMC	CE-EMC (EN 55032,EN 61000-3-3,EN IEC 61000-3-2,EN 55035); FCC (FCC 47 CFR

	part15 B)
Safety	CE-LVD (EN 62368-1)
Environment	CE-RoHS (2011/65/EU;(EU)2015/863); WEEE (2012/19/EU)
Protection	IP67 (IEC 60529)

## Dimensions



### Zhejiang Uniview Technologies Co., Ltd.

No. 369, Xietong Road, Xixing Sub-district, Binjiang District, Hangzhou City, 310051, Zhejiang Province, China

Email: [overseasbusiness@uniview.com](mailto:overseasbusiness@uniview.com); [globalsupport@uniview.com](mailto:globalsupport@uniview.com)

<http://www.uniview.com>

©2024 Zhejiang Uniview Technologies Co., Ltd. All rights reserved.

\*Product specifications and availability are subject to change without notice.

\*Despite our best efforts, technical or typographical errors may exist in this document. Uniview cannot be held responsible for any such errors and reserves the right to change the contents of this document without prior notice.