

POC Digital Video Recorder

XVR301-04U3-P4



Features

- Support Ultra 265/H.265/H.264 video formats
- Support audio over coaxial cable(TVI cameras)
- Support power over the coaxial cable with UNV PoC camera
- Support TVI, AHD, CVI, CVBS, IP cameras with adaptive access
- 4-channel BNC input
- Support 1-ch CVBS output, 1-ch VGA output, 1-ch HDMI output at up to 4K(3840 x 2160)
- HDMI and VGA simultaneous output
- Long transmission distance over coaxial cable
- Support mainstream cameras of ONVIF and RTSP protocols

Specifications

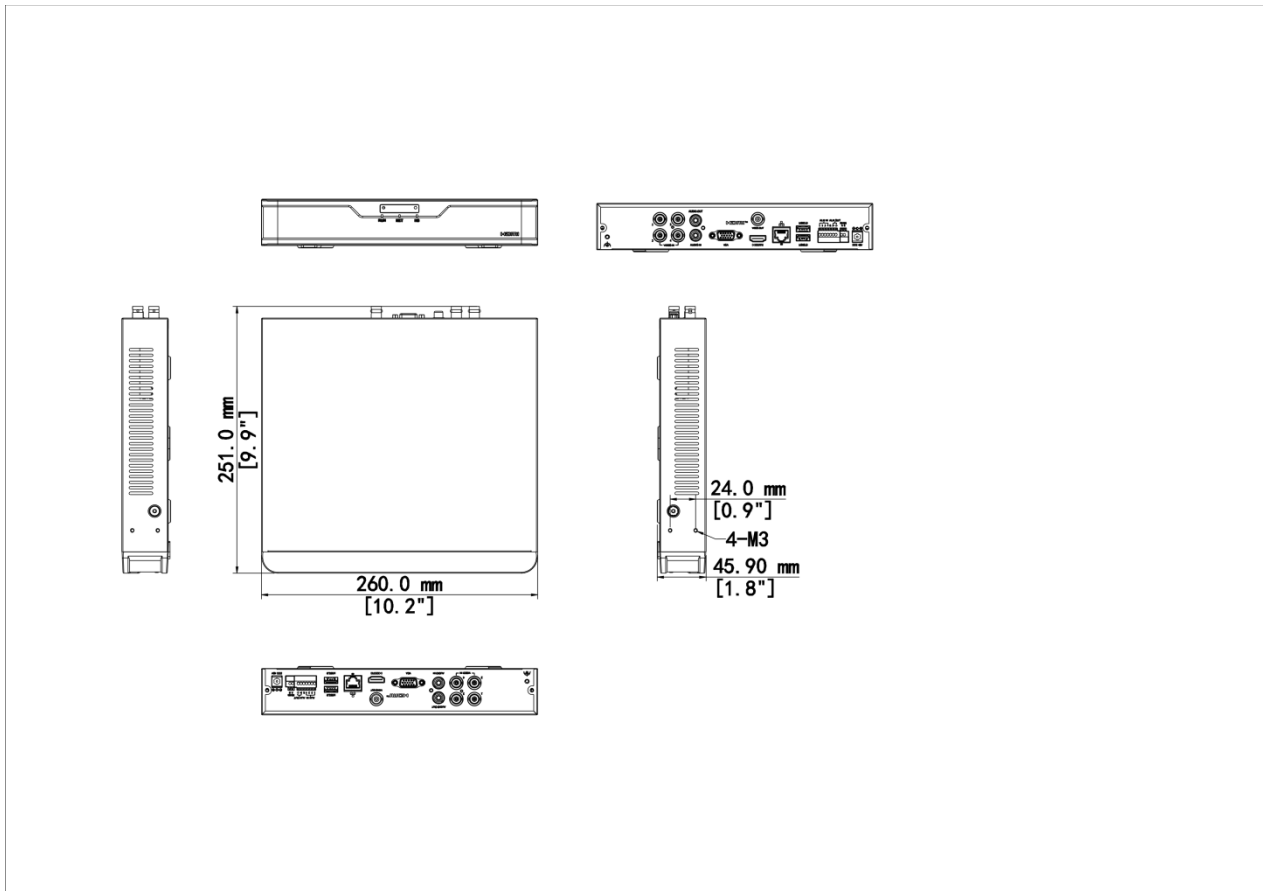
| | |
|--------------------|----------------|
| Model | XVR301-04U3-P4 |
| Video/Audio Input | |
| IP Video Input | 4-ch |
| Analog Video Input | 4-ch, BNC |
| Max IP Video Input | 8-ch |

| | |
|-------------------------------|--|
| Supported Analog Camera Types | Support AHD input: 8MP@15fps 5MP@20fps 4MP@30fps 1080P@30fps 720P@30fps Support TVI input: 8MP@15fps 5MP@20fps 4MP@30fps 1080P@30fps 720P@30fps Support CVI input: 8MP@15fps 5MP@25fps 4MP@30fps 1080P@30fps 720P@30fps Support CVBS input |
| BNC Audio Input | 4-ch, channel audio |
| RCA Audio Input | 1-ch |
| Video/Audio Output | |
| HDMI Output | HDMI: 4K (3840 × 2160)/30 Hz, 1920 × 1080/60 Hz, 1920 × 1080/50 Hz, 1600 × 1200/60 Hz, 1280 × 1024/60 Hz, 1280 × 720/60 Hz, 1024 × 768/60 Hz |
| VGA Output | VGA: 1920 × 1080/60 Hz, 1920 × 1080/50 Hz, 1600 × 1200/60 Hz, 1280 × 1024/60 Hz, 1280 × 720/60 Hz, 1024 × 768/60 Hz |
| BNC Video Output | 1-ch |
| RCA Audio Output | 1-ch |
| Live View Display | HDMI/VGA: 1/4/6/8/9 |
| Default Num of Live Screen | VGA: 4; HDMI: 4 |
| Encoding/Decoding | |
| Recording Resolution | 8MP/5MP/4MP/1080P/720P/D1 |

| | |
|-------------------------------------|---|
| Recording Frame Rate | Main stream: 8MP@8fps Sub stream: D1@8fps Main stream: 5MP@12fps Sub stream: D1@12fps Main stream: 4MP@15fps Sub stream: D1@15fps Main stream: 1080P@25fps Sub stream: D1@25fps Main stream: 720P@30fps Sub stream: D1@30fps |
| Audio Sample Rate | 8 kHz, 16 bit per channel |
| Audio Bit Rate | 64 Kbps per channel |
| Decoding Capability | Analog: 4 x 8MP @8, 4 x 5MP @12, 4 x 4MP @15, 4 x 1080P@25, 4 x 720@30 IP: 1 x 8MP@30, 1 x 5MP@30, 2 x 4MP@30, 4 x 1080P@30, 8 x 720P@30 |
| Num of Concurrent Playback in Local | 8-ch |
| Coaxial Cable | |
| Audio over Coaxial Cable(Form) | 4-ch, One-way Audio(TVI) |
| Two-way Audio | |
| Two-way Audio | 1-ch, RCA (Using the audio input and output) |
| Network | |
| Incoming Bandwidth | 40Mbps (Up to 48 Mbps after all analog channel conversion) |
| Outgoing Bandwidth | 64Mbps |
| Remote Users | 128 |
| Protocols | TCP/IP, P2P, UPnP, DHCP, HTTP, HTTPS, DNS, DDNS, SMTP |
| Smart | |
| Analog Smart by XVR | SIP (Intrusion Detection, Cross Line Detection, Enter Area, Leave Area), Face Detection, Ultra Motion Detection (UMD) |
| IP Smart by IPC | Face Detection, SIP (Intrusion Detection, Cross Line Detection, Enter Area, Leave Area), Defocus Detection, Scene Change Detection, Object Removed, Object Left Behind, Auto Tracking |
| VCA Search | Face Search, Behavior Search |
| Smart Functions by XVR | 4-ch (UMD), 2-ch (SIP), 1-ch (Face Detection) |
| Smart Functions by IP Camera | 2-ch (SIP) |
| Alarm | |

| | |
|---------------------------------|---|
| General Alarm | Motion |
| Alert Alarm | IP Conflict, Network Disconnected, Disk offline, Disk Abnormal, Illegal Access, Hard Disk Space Low, Hard Disk Full, Recording/Snapshot Abnormal |
| GUI Language | |
| GUI Language | 38 languages: Simplified Chinese, Traditional Chinese, English, Vietnamese, Thai, Turkish, Spanish (Latin America), Portuguese (Brazil), Spanish, Portuguese, French, German, Italian, Dutch, Polish, Czech, Hungarian, Slovak, Russian, Hebrew, Arabic, Ukrainian, Estonian, Bulgarian, Greek, Romanian, Danish, Swedish, Norwegian, Finnish, Croatian, Slovenia, Serbia, Korean, Japanese, Latvian, Lithuanian, Persian |
| Hard Disk | |
| SATA | 1 SATA interface |
| Capacity | Up to 16 TB for each HDD (The maximum HDD capacity varies with environment temperature) |
| External Interface | |
| Network Interface | 1 RJ45 10 M/100 M self-adaptive Ethernet Interface |
| USB | Rear panel: 2 × USB2.0 |
| RS485 | 1 |
| RS232 | N/A |
| Alarm In | 4-ch |
| Alarm Out | 1-ch |
| Power Supply | DC 48 V/1.35 A |
| Working Environment | |
| Working Temperature | -10 °C to 55 °C (14 °F to 131 °F) |
| Working Humidity | ≤ 90% RH (non-condensing) |
| Power Consumption (without HDD) | ≤ 15W |
| Dimensions | |
| Weight (without HDD) | ≤1.1 Kg (2.42lb) |
| Dimensions | 260mm ×251mm× 46mm (10.2" × 9.9"×1.8") |
| Certification | |
| Certification | CE, FCC, UL, RoHS, WEEE |
| CE | EN 55032, EN 61000-3-3, EN IEC 61000-3-2 |
| FCC | Part15 Subpart B |

Dimensions



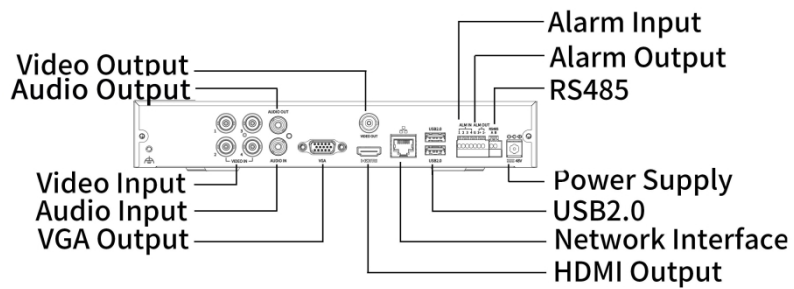
Accessories

RM-1U-260

1 HDD 1U NVR Rack Mount



Rear Panel



Zhejiang Uniview Technologies Co., Ltd.

No. 369, Xietong Road, Xixing Sub-district, Binjiang District, Hangzhou City, 310051, Zhejiang Province, China (Zhejiang) Pilot Free Trade Zone, China

Email: overseasbusiness@uniview.com; globalsupport@uniview.com

<http://www.uniview.com>

©2024-2025 Zhejiang Uniview Technologies Co., Ltd. All rights reserved.

*Product specifications and availability are subject to change without notice.

*Despite our best efforts, technical or typographical errors may exist in this document. Uniview cannot be held responsible for any such errors and reserves the right to change the contents of this document without prior notice.