

## Swing Barrier Gate OFG8321N



### Overview

OFG8321N swing barrier gate is specifically designed for pedestrian access control requirements. Equipped with a standard access control board, it supports external card readers and smart recognition devices, seamlessly integrating smart recognition technology to achieve precise access control. Supports multiple verification modes. Featuring a simple and elegant design, it has an internal mechanism manufactured with advanced technology to ensure long-term operational reliability. It can be widely applied in scenarios such as school campuses, industrial parks, residential communities, and residential compounds.

### Features

- Standard access control board functionality supports direct connection to card readers.
- All functional components are pre-wired internally at the factory; the gate only requires connection of bridging cables, Ethernet cables, and power cables for operation.
- Supports advanced features including single-lane anti-passback, multi-lane cross-controller anti-passback, and multi-factor verification.
- Supports connecting the mobile APP to the swing barrier gate's Wi-Fi, enabling activation, configuration, and debugging of the turnstile directly from the APP.
- Enables quick setup via the web interface.
- Supports passage memory: once enabled, users can swipe cards consecutively and then pass through the gate one by one in sequence.
- Supports external Bluetooth speakers for playing gate audio.
- Incorporates an advanced non-destructive transmission mechanism paired with high-quality DC brushless motors, ensuring precise control, stable operation, and extended lifetime.
- Utilizes cutting-edge motor control technology with a closed-loop control system and DSP-based self-regulating motor control, combined with proprietary motor control algorithms for precise positioning and stable performance of the blocking mechanism.
- Comprehensive safety design.

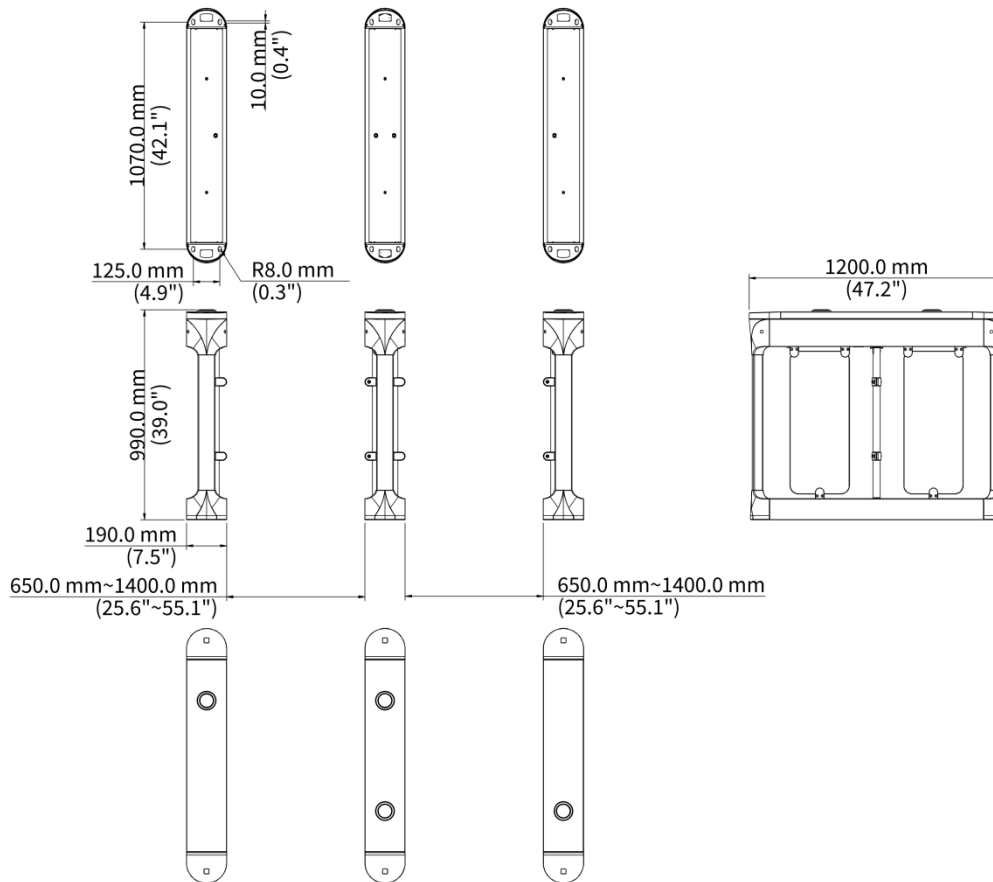
- Implements dual smart anti-pinch protection through advanced infrared sensors and current detection, ensuring complete pedestrian safety.
- All electrical modules operate on safe voltages below 24V, preventing electric shock hazards.
- Motors are installed in the upper section of the gate, effectively preventing water damage from rain exposure.
- Supports automatic door opening during power failure for efficient crowd evacuation.
- Features a built-in professional receiver module, supporting 1-to-32 door opening configurations (remote transmitter must be purchased separately).
- Allows flexible selection of normal passage modes: keep open or keep closed. Effectively alleviates crowd pressure by adjusting door wing speed based on pedestrian flow, improving operational efficiency.
- Comprehensive infrared functionality:
  - 6 pairs of infrared sensors effectively monitor passage status.
  - Accurately detects reverse passing, tailgating, and other unauthorized intrusions, triggering audible and visual alarms.
  - Alarms can be transmitted via serial port to backend management systems for integration with related systems.
  - Door wings utilize clamp installation for easy disassembly and maintenance.
- Equipped with self-diagnostic functionality to provide prompt alerts for abnormalities, facilitating user maintenance and operation.
- Supports networked operation and maintenance, meeting specifications for fault diagnosis, event management, access mode configuration, and core mechanism control.
- Detects the number of people by infrared sensors, uploads data to the platform for statistics, records the number of events such as tailgating, reverse passing, and illegal intrusion, and reports alarms.

## Specifications

Model	OFG8321N@L	OFG8321N@M	OFG8321N@R
<b>Structure</b>			
Type	Left pedestal	Middle pedestal	Right pedestal
<b>Core Mechanism</b>			
Motor	Brushless DC motor		
<b>IR Sensor</b>			
IR sensors	6 pairs of infrared sensors (all located in the upper section)		
<b>Steel Plate Thickness</b>			
Steel plate thickness	Chassis: 1.0 mm, cover: 1.2 mm thick, 304 brushed stainless steel		
<b>Working Parameters</b>			
Card reader panel	Exit Direction	Bi-directional	Entrance Direction
Power consumption	Standby: approx. 30 W, Normal operation: approx. 50 W, Maximum: approx. 90 W		
Ambient temperature	-40°C to 60°C		
Operating humidity	5% to 80%		
Operating voltage	110V-220 V input; 24 V DC/6.5 A output		
<b>Installation Holes</b>			
Number of installation holes	Standard installation hole(s) for smart recognition terminal and decorative cover: one on each side pedestal, two on each middle pedestal		
<b>Door Wing</b>			
Material	Acrylic or stainless steel		
Compatible lane width	Acrylic: 550 mm to 1100 mm		

	Stainless steel: 650 mm to 1400 mm (lane wider than 1100 mm support only metal door wings. In such cases, the door wings will extend beyond the chassis when fully opened)		
<b>Appearance Design</b>			
Weight	36.3KG	37.3KG	36.3KG
Operating environment	Indoor, outdoor		
Dimensions	1200 x 990 x 190 mm		
<b>Lane Control Board</b>			
Power	24V		
Lane control board interface	Remote controller interface × 1		
<b>Access Control Board</b>			
Power supply	12V		
Card capacity	Normal card: 100,000 Duress card: 1,000 Other types of cards: 100		
Event capacity	200,000		
Communication	Wired communication, Wi-Fi communication		
Permission groups	16		
Time templates	256		
Holiday templates	256		
Anti-passback	Single-lane anti-passback, multi-lane cross-controller anti-passback		
Custom audio	Supports custom modification of default audio		
Abnormal cover opening detection	Supports abnormal cover opening alarm		
Access control board interface	LAN × 2, RS485 × 2, USB × 2, alarm output × 4, exit button input × 2, fire alarm input × 2, Wiegand × 2		
<b>Anti-Pinch</b>			
Anti-pinch	IR anti-pinch, electric current anti-pinch		
<b>Detection</b>			
Anti-tailgating detection distance	10CM tailgating detection		
Anti-reverse passing	Reverse intrusion detection		
Power-off State	Fail-safe (automatically unlocks and opens upon power loss)		
<b>Alarm event</b>			
Alarm event	Sound and light alarm		

## Dimensions



## Accessories Ordering Information

OEP-YP65	OEP-YP75	OEP-YP85
OEP-YP95	OEP-YS65	OEP-YS75
OEP-YS85	OEP-YS95	

## Notes

Standard installation hole(s) for smart recognition terminal and decorative cover: one on each side pedestal, two on each middle pedestal. Speed gates are shipped without door wings, which must be purchased separately. Speed gates are shipped without remote transmitter, which must be purchased separately.

Daily Maintenance Notes:

1. Different usage environments require different grades of stainless steel. Grade 304 stainless steel is suitable for general environments, while Grade 316 is customization required for coastal areas, chemical plants, and similar corrosive environments.
2. Keep the product surface clean and dry.
3. For surface contaminants, clean with a non-woven cloth and alcohol.
4. For rust spots on the surface: Wear gloves and apply a rust remover (recommended: BRASSO or equivalent) to the affected area. Wipe along the direction of the brushed grain with a non-woven cloth. If residue remains, wipe again with household alcohol until the surface is clean. After rust removal, spray a maintenance fluid (recommended: WD40 or equivalent) and wipe evenly along the grain.
5. Regularly maintain the entire gate by wiping it with a non-woven cloth and stainless steel maintenance agent.

Recommended initial maintenance interval: one week. Under normal circumstances, monthly maintenance is recommended. In harsh


environments (e.g., coastal areas, chemical plants), weekly maintenance is recommended.

# Unlimited New View

### Zhejiang Uniview Technologies Co., Ltd.

 <http://www.uniview.com>

 [overseasbusiness@uniview.com](mailto:overseasbusiness@uniview.com); [globalsupport@uniview.com](mailto:globalsupport@uniview.com)

 No. 369, Xietong Road, Xixing Sub-district, Binjiang District, Hangzhou City, 310051, Zhejiang Province, China



©2023-2025 Zhejiang Uniview Technologies Co., Ltd. All rights reserved.

\*Product specifications and availability are subject to change without notice.

Despite our best efforts, technical or typographical errors may exist in this document. Uniview cannot be held responsible for any such errors and reserves the right to change the contents of this document without prior notice.