

# 【Datasheet】 UNV LAMP-IH25@M3-F-OS Infrared Strobe Light Infrared flash Light(Overseas)

LAMP-IH25@M3-F-OS



## Features

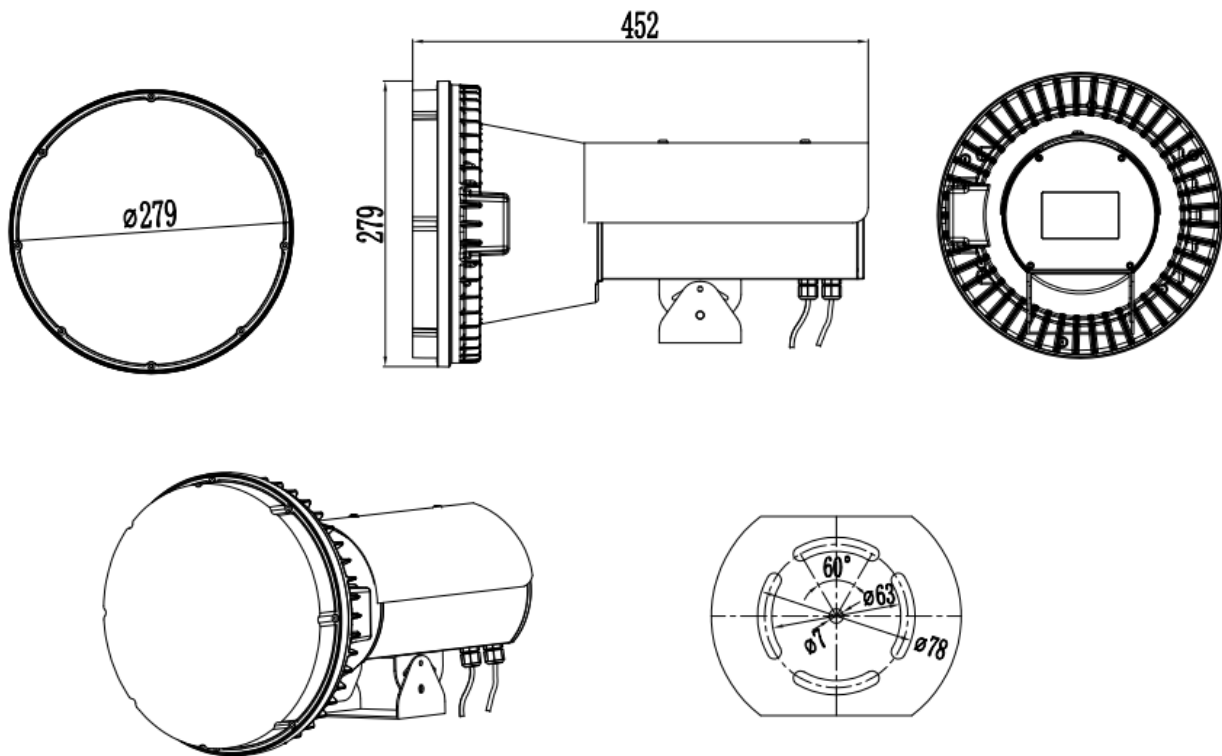
- 24 high power warm light LED.
- Flash brightness 8 level adjustable.
- Support infrared White explosion switch.
- Life up to more than 10 million times.
- Brightness does not vary with supply voltage fluctuations.
- IP65 protection level, waterproof and dustproof.

## Specifications

Model	LAMP-IH25@M3-F-OS
LED strobe	
Power consumption	Default power is 4.4W(≤ 40W)
Light type	High-power infrared LED
Luminous angle	10°
Trigger frequency	100Hz
Optimal fill light distance	15~30m

Trigger mode	Level trigger, switch trigger
Beam angle	0-40%
LED lamp bead wavelength	850nm
<b>White light flash</b>	
White light flash lifetime	More than 10 million times
Output energy	≤100J
Flash brightness	8-level adjustable
Color temperature	≤7000K
Return time	≤50ms
Duration of flash	1/10000s~1/1000s
White light flash trigger mode	Level trigger
Gas explosion level	1~8 level adjustable
Fill light distance	15~30 m
Red and White Switch	Switch by frequency
Filter form	Window shades
<b>Be in common use</b>	
Dimensions (L×W×H)	452*279*279mm
Weight	6.8kg
Ingress protection	IP65
Bracket rotation angle	-45° to 45°
Power supply	200-240Vac 50/60Hz
Length of tail line	4.5m
Communication interface	RS485
Operating environment	-40°C~70°C, 10~95%RH

## Dimensions



## Ordering Info

Product Model	Config	Description
LAMP-IH25	M3-F-OS	Infrared Strobe Light Infrared flash Light (Overseas)

### Zhejiang Uniview Technologies Co., Ltd.

No. 369, Xietong Road, Xixing Sub-district, Binjiang District, Hangzhou City, 310051, Zhejiang Province, China

Email: [overseasbusiness@uniview.com](mailto:overseasbusiness@uniview.com); [globalsupport@uniview.com](mailto:globalsupport@uniview.com)

<http://www.uniview.com>

©2024-2025 Zhejiang Uniview Technologies Co., Ltd. All rights reserved.

\*Product specifications and availability are subject to change without notice.

\*Despite our best efforts, technical or typographical errors may exist in this document. Uniview cannot be held responsible for any such errors and reserves the right to change the contents of this document without prior notice.