

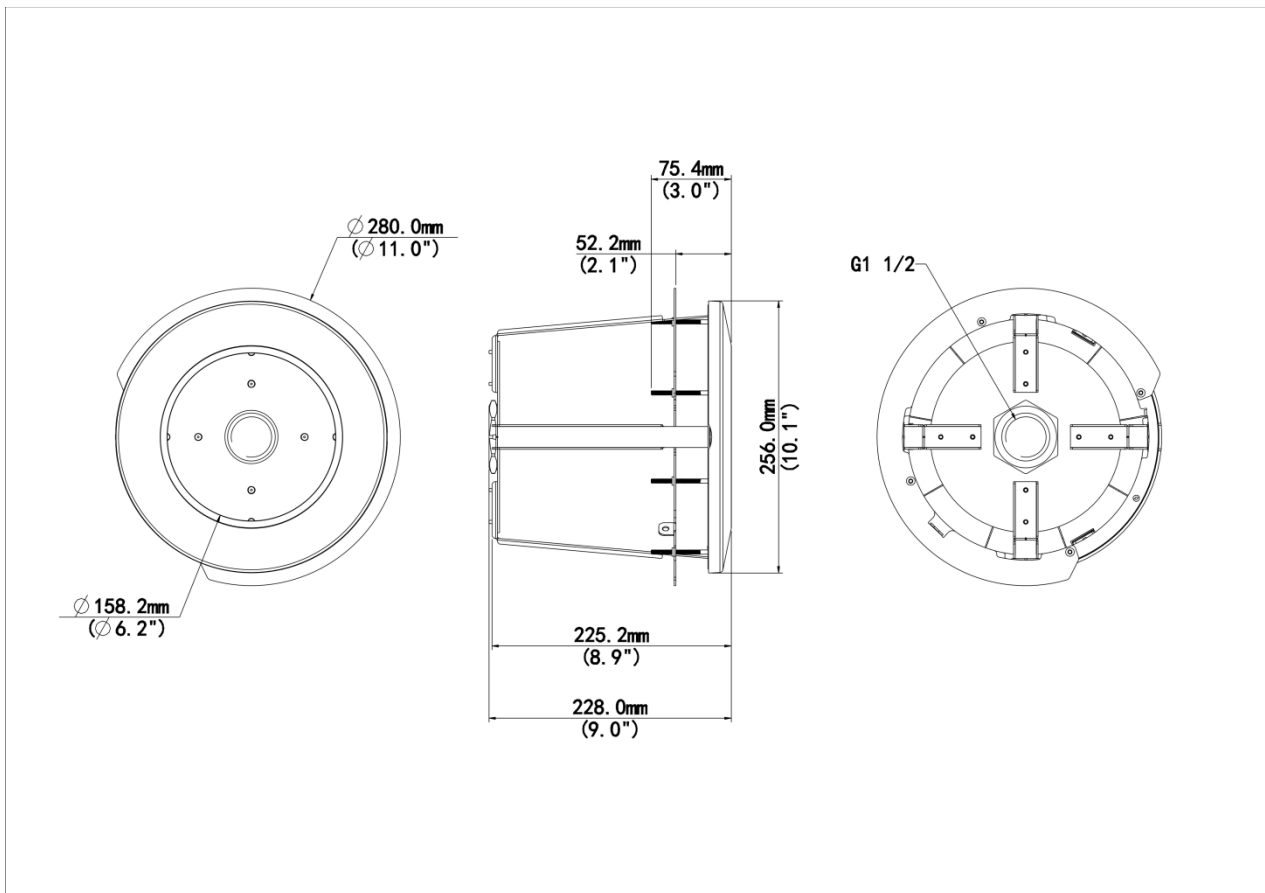
PTZ Dome In-ceiling Mount
TR-FM222



Specifications

| | |
|--------------------|--|
| Model | TR-FM222 |
| Bracket | |
| Bracket Dimensions | Φ 280 mm x 228 mm In-ceiling hole: Φ 237 mm |
| Bracket Weight | 1.3 kg |
| Bracket Material | Sheet metal and PC |
| Application | IPC6634S-X33-VF PTZ dome in-ceiling installation |

Dimensions



Ordering Info

| Product Model | Description |
|---------------|--------------------------------------|
| TR-FM222 | In-ceiling Bracket for Standard Dome |

Unlimited New View

Zhejiang Uniview Technologies Co., Ltd.



<http://www.uniview.com>



overseasbusiness@uniview.com; globalsupport@uniview.com



No. 369, Xietong Road, Xixing Sub-district, Binjiang District, Hangzhou City, 310051, Zhejiang Province, China



©2023-2025 Zhejiang Uniview Technologies Co., Ltd. All rights reserved.

*Product specifications and availability are subject to change without notice.

Despite our best efforts, technical or typographical errors may exist in this document. Uniview cannot be held responsible for any such errors and reserves the right to change the contents of this document without prior notice.