

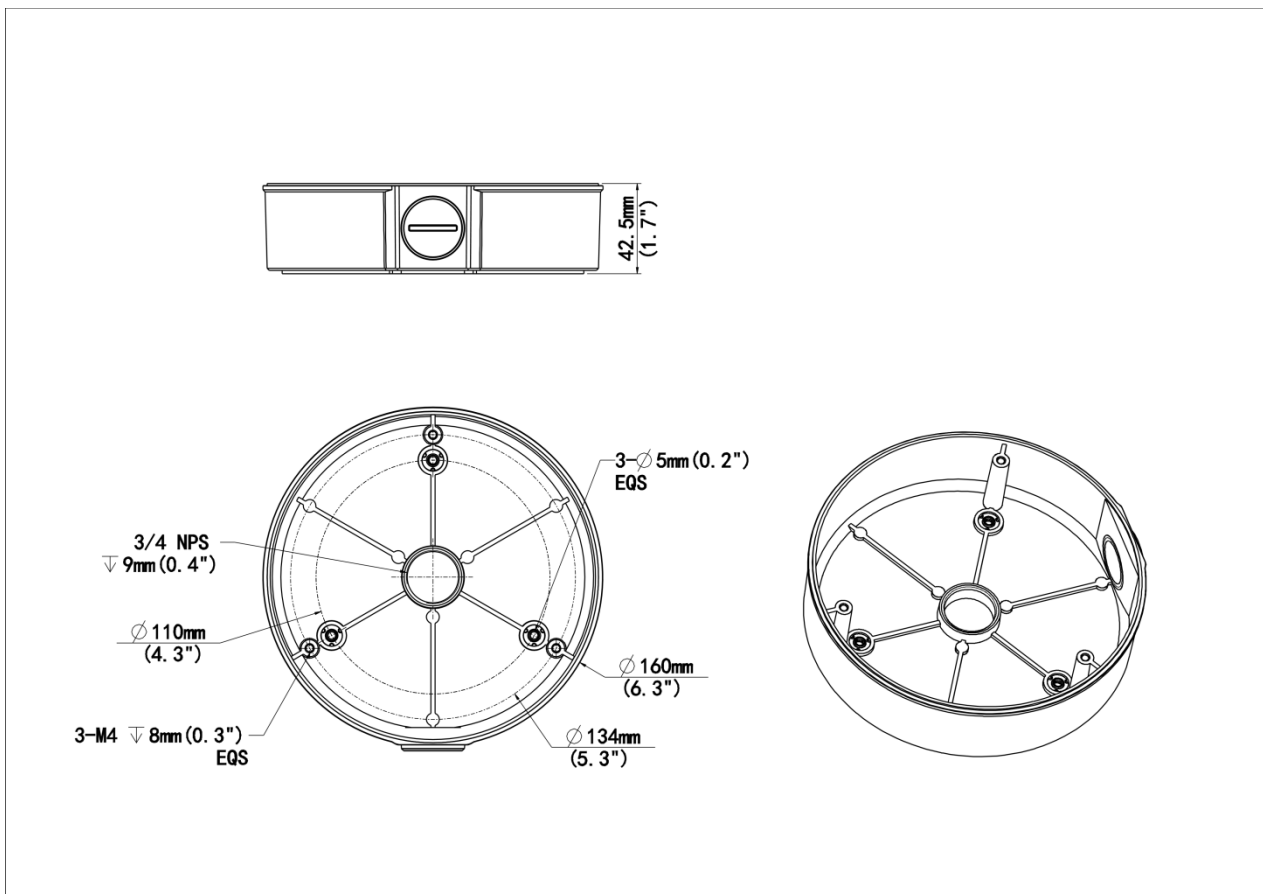
**4" PTZ dome Junction Box**  
**TR-JB04-E-IN**



# Specifications

<b>Model</b>	TR-JB04-E-IN
<b>Bracket</b>	
<b>Application</b>	Indoor
<b>Bracket Dimensions</b>	Φ160 x 42.5 mm (Φ6.3" x 1.42")
<b>Bracket Weight</b>	545 g (1.2 lb)
<b>Bracket Material</b>	Aluminum alloy

# Dimensions



# Ordering Info

Product Model	Description
TR-JB04-E-IN	Cover Dome Junction Box

# Unlimited New View

## Zhejiang Uniview Technologies Co., Ltd.



<http://www.uniview.com>



[overseasbusiness@uniview.com](mailto:overseasbusiness@uniview.com); [globalsupport@uniview.com](mailto:globalsupport@uniview.com)



No. 369, Xietong Road, Xixing Sub-district, Binjiang District, Hangzhou City, 310051, Zhejiang Province, China



©2023-2025 Zhejiang Uniview Technologies Co., Ltd. All rights reserved.

\*Product specifications and availability are subject to change without notice.

Despite our best efforts, technical or typographical errors may exist in this document. Uniview cannot be held responsible for any such errors and reserves the right to change the contents of this document without prior notice.