

# 4MP HD Intelligent LighterHunter IR Fixed Eyeball Network Camera

IPC3614SB-ADF28(40)KM-I0



## Features

- High quality image with 4MP, 1/3"CMOS sensor
- 4MP (2688\*1520)@ 30/25fps; 4MP (2560\*1440)@ 30/25fps; 3MP (2304\*1296) @ 30/25fps; 2MP (1920\*1080) @30/25fps
- Ultra 265, H.265, H.264, MJPEG
- Intelligent perimeter protection, include cross line, intrusion, enter area, leave area detection
- Based on target classification, smart intrusion prevention significantly reduce false alarm caused by leaves, birds and lights etc., accurately focus on human and, motor vehicle and non-motor vehicle
- Intelligent People Flow Counting and Crowd Density Monitoring
- LightHunter technology ensures ultra-high image quality in low illumination environment
- 120dB true WDR technology enables clear image in strong light scene
- Support 9:16 Corridor Mode
- Built-in Mic
- Smart IR, up to 30m (98ft) IR distance
- Supports 512 G Micro SD card
- IP67 protection

## Specifications

| Model                      | IPC3614SB-ADF28KM-I0                                  | IPC3614SB-ADF40KM-I0 |
|----------------------------|---|----------------------|
| <b>Camera</b>              |   |                      |
| Max Resolution             | 4 MP  |                      |
| Sensor                     | 1/3.0" CMOS   |                      |
| Min. Illumination          | Colour: 0.002 lux ( F1.6, AGC ON)<br>0 Lux with light |                      |
| Day/Night                  | IR-cut filter with auto switch (ICR)                  |                      |
| Shutter                    | Auto/Manual, 1 ~ 1/100000s                            |                      |
| Adjustment Angle           | Pan: 0° ~ 360°, Tilt: 0° ~ 80°, Rotate: 0° ~ 360°     |                      |
| S/N                        | >52 dB  |                      |
| WDR                        | 120 dB  |                      |
| <b>Lens</b>                |   |                      |
| Focal Length               | 2.8 mm  | 4.0 mm               |
| Iris Type                  | Fixed   |                      |
| Iris                       | F1.6  |                      |
| Field of View (H)          | 101.1°  | 83.7°                |
| Field of View (V)          | 55.3°   | 44.9°                |
| Field of View (D)          | 111.1°  | 89.2°                |
| Lens Type                  | Fixed   |                      |
| <b>DORI</b>                |   |                      |
| DORI Distance (Lens)       | 2.8mm   | 4.0mm                |
| DORI Distance (Detect)     | 63.0m(206.7ft)  | 90.0m(295.2ft)       |
| DORI Distance (Observe)    | 25.2m(82.7ft)   | 36.0m(118.1ft)       |
| DORI Distance (Recognize)  | 12.6m(41.3ft)   | 18.0m(59.1ft)        |
| DORI Distance (Identify)   | 6.3m(20.7ft)  | 9.0m(29.5ft)         |
| <b>Illuminator</b>         |   |                      |
| Supplemental Light         | IR  |                      |
| Illumination Distance (IR) | 30 m (98.4 ft)  |                      |
| Wavelength                 | 850 nm  |                      |
| Light On/Off Control       | Auto/Manual   |                      |

| Video                            |  |
|----------------------------------|--|
| Video Compression                | Ultra 265, H.265, H.264, MJPEG   |
| H.264 Code Profile               | Baseline profile, Main profile, High profile   |
| Frame Rate                       | Main Stream: 4MP (2688*1520), Max 30fps; 4MP (2560*1440), Max 30fps; 3MP (2304*1296), Max 30fps; 1080P (1920*1080), Max 30fps;<br>Sub Stream: 720P (1280*720), Max 30fps; D1 (720*576), Max 30fps; 640*360, Max 30fps;<br>Third Stream: D1 (720*576), Max 30fps; 640*360, Max 30fps; 2CIF(704*288), Max 30fps;<br>CIF(352*288), Max 30fps; |
| Video Bit Rate                   | 128 Kbps to 16 Mbps  |
| U-code                           | Support  |
| OSD                              | Up to 8 OSDs   |
| Privacy Mask                     | Up to 4 areas  |
| ROI                              | Support  |
| Video Stream                     | Triple Streams   |
| Image                            |  |
| Smart IR                         | Support  |
| White Balance                    | Auto, Outdoor, Fine Tune, Sodium Lamp, Locked, Auto2   |
| Digital Noise Reduction          | 2D/3D DNR  |
| Flip                             | Normal, Flip Vertical, Flip Horizontal, 180°, 90° Clockwise, 90° Anti-clockwise  |
| Dewarping                        | N/A  |
| HLC                              | Support  |
| BLC                              | Support  |
| Defog                            | Digital Defog  |
| Image Stabilization              | N/A  |
| Low Illumination Characteristics | LightHunter  |
| Intelligent                      |  |
| Smart Intrusion Prevention       | Cross line detection, intrusion detection, enter area detection, leave area detection (support false alarm filtering and the classification of human, non-motor vehicle and vehicle)   |
| People Counting                  | Support People Flow Counting and Crowd Density Monitoring  |
| Statistical Analysis             | N/A  |
| Events                           |  |
| Basic Detection                  | Motion Detection, Ultra Motion Detection, Tampering Alarm, Audio Detection   |

|                        |  |
|------------------------|--|
| General Function       | Watermark, IP Address Filtering, Access Policy, ARP Protection, RTSP Authentication, User Authentication, HTTP Authentication  |
| <b>Audio</b>           |  |
| Audio Compression      | G.711U, G.711A   |
| Audio Bitrate          | 64 Kbps  |
| Two-way Audio          | N/A  |
| Suppression            | Support  |
| Sampling Rate          | 8 kHz  |
| <b>Storage</b>         |  |
| Edge Storage           | Micro SD, up to 512 GB   |
| Network Storage        | ANR, NAS (NFS)   |
| <b>Network</b>         |  |
| Protocols              | IPv4, IPv6, IGMP, ICMP, ARP, TCP, UDP, DHCP, RTP, RTSP, RTCP, RTMP, DNS, DDNS, NTP, FTP, UPnP, HTTP, HTTPS, SMTP, SSL/TLS, 802.1x, SNMP, PPPoE   |
| Compatible Integration | ONVIF (Profile S, Profile G, Profile T, Profile M), API, SDK   |
| User/Host              | Up to 32 users. 3 user levels: administrator, common user and operator   |
| Security               | Password Protection, Strong Password, HTTPS Encryption, Export Operation Logs, Basic and Digest Authentication for RTSP, Digest Authentication for HTTP, TLS 1.2, WSSE and Digest Authentication for ONVIF |
| Client                 | UNV-Link, UNV-Link Pro, EZStation  |
| Web Browser            | Plug-in required live view: IE 10+, Chrome 45+, Firefox 52+, Edge 79+, Plug-in free live view: Chrome 57+, Firefox 58+, Edge 16+   |
| <b>Interface</b>       |  |
| Audio I/O              | N/A  |
| Alarm I/O              | N/A  |
| Serial Port            | N/A  |
| Built-in Mic           | Support  |
| Built-in Speaker       | N/A  |
| WIFI                   | N/A  |
| Network                | 1 × RJ45 10 M/100 M Base-TX Ethernet   |
| Video Output           | N/A  |
| <b>Certification</b>   |  |

|                       |   |
|-----------------------|---|
| EMC                   | CE-EMC (EN 55032, EN 61000-3-3, EN IEC 61000-3-2, EN 55035)<br>FCC (FCC 47 CFR part15 B)  |
| Safety                | CE LVD (EN 62368-1)<br>CB (IEC 62368-1)<br>UL/CUL (UL 62368-1, CAN/CSA C22.2 No. 62368-1)   |
| Environment           | CE-RoHS (2011/65/EU;(EU)2015/863); WEEE (2012/19/EU);   |
| Protection            | IP67 (IEC 60529)  |
| <b>General</b>        |   |
| Power                 | DC 12V±25%, PoE (IEEE 802.3af)  |
| Power Consumption     | Max 4.0W  |
| Power Interface       | Ø5.5 mm coaxial power plug  |
| Dimensions            | Ø110.5 x 94.1mm (Ø4.4" x 3.7") (Ø x H)  |
| Weight                | 0.42kg (0.93lb)   |
| Material              | Metal   |
| Working Environment   | -30 °C to 60 °C (-22 °F to 140 °F), Humidity: ≤ 95% RH (non-condensing)   |
| Storage Environment   | -30 °C to 60 °C (-22 °F to 140 °F), Humidity: ≤ 95% RH (non-condensing)   |
| Surge Protection      | 4 KV  |
| Reset Button          | N/A   |
| Web Client Language   | 20 Languages: Traditional Chinese, English, Simplified Chinese, Polish, German, Russian, French, Korean, Dutch, Czech, Portuguese (Europe), Portuguese (Brazil), Japanese, Thai, Turkish, Spanish (Latin America), Spanish (Europe), Hungarian, Italian, Vietnamese |
| RTC                   | Support   |
| Built-in DC12V Output | N/A   |
| Axis                  | 3-Axis  |
| <b>Live View</b>      |   |
| Maximum Bitstream     | 20  |
| Maximum Bandwidth     | 50 Mbps   |
| Plugin Free           | Support   |
| OSD Font              | Lattice   |
| OSD Color             | Support   |
| OSD Character Number  | 40  |
| 3D Privacy Mask       | N/A   |

**PTZ**

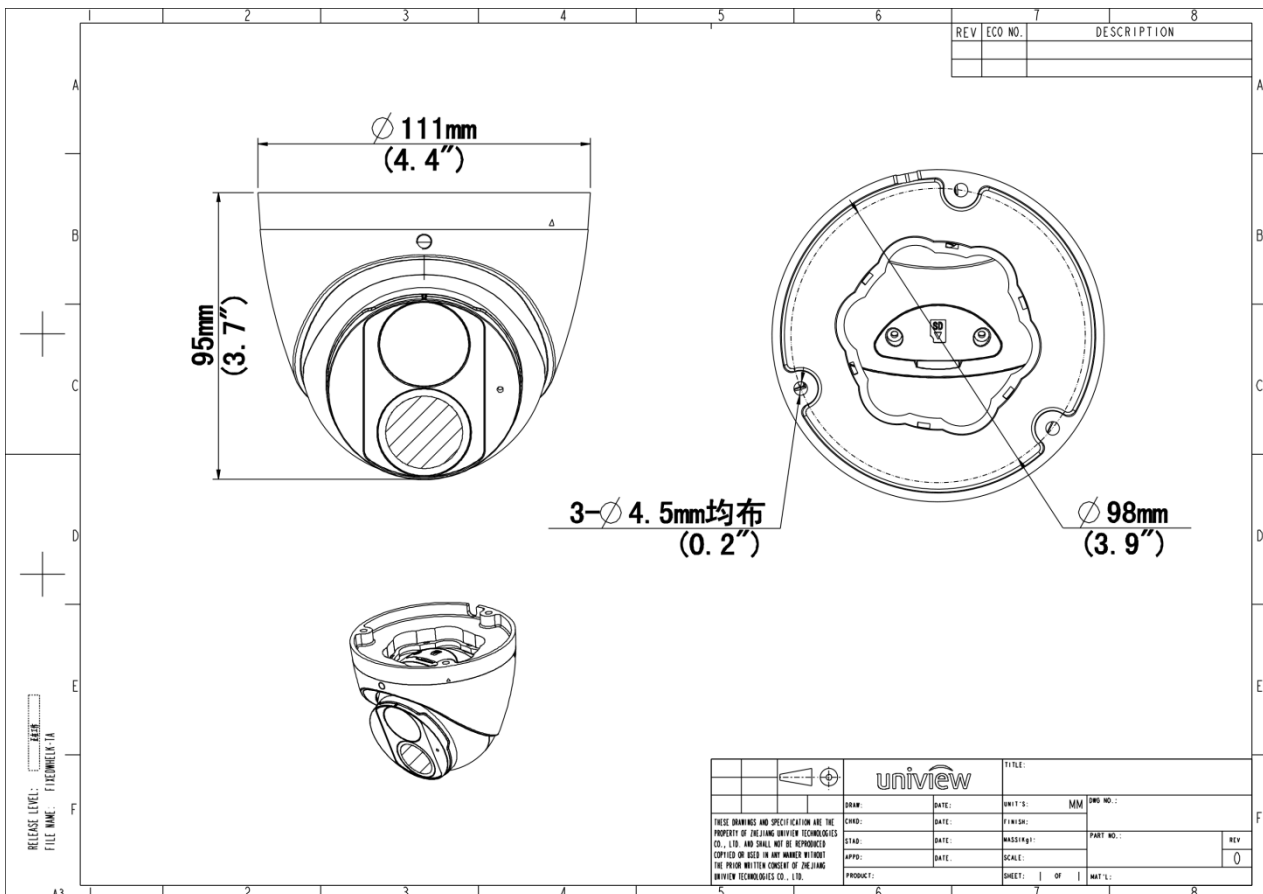
|                         |     |
|-------------------------|-----|
| Number of Patrol        | N/A |
| Snow Removal Mode       | N/A |
| Patrol Recording        | N/A |
| Number of Presets (IPC) | N/A |
| 3D Location             | N/A |

**Other**

|                  |           |
|------------------|-----------|
| Corridor Mode    | Support   |
| Software Version | IPC_G6202 |

## Dimensions

Aggregate product size diagram using "main model" as an example



## Accessories

TR-JB03-G-IN

Junction Box for Mini Fix-dome(Support wiring from behind)



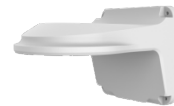
TR-JB07/WM03-G-IN

Wall Mounting Assembling Bracket For 32 Fix-dome&Mini Fix-dome&Plastic Turret Camera



TR-WM03-D-IN

Wall Mounting Bracket for 32 Fix-dome&Mini Fix-dome&Plastic Turret Camera



TR-UM06-E-IN

Slant Mounting Bracket for Fixed Dome



TR-A01-IN

NPT 3/4" Waterproof Cable Gland



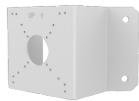
TR-UP06-IN

Universal Pole Mounting Bracket



TR-UC08-C

Bullet&Dome Corner Mounting Bracket



TR-SE24-IN

Dome Pendant Mounting Pole 200mm



TR-SE24-A-IN

Dome Pendant Mounting Pole 500mm



TR-CM24-IN

Dome Pendant Mounting Bracket(Indoor)



**Zhejiang Uniview Technologies Co., Ltd.**

No. 369, Xietong Road, Xixing Sub-district, Binjiang District, Hangzhou City, 310051, Zhejiang Province, China (Zhejiang) Pilot Free Trade Zone,

China

Email: [overseasbusiness@uniview.com](mailto:overseasbusiness@uniview.com); [globalsupport@uniview.com](mailto:globalsupport@uniview.com)

<http://www.uniview.com>

©2023-2025 Zhejiang Uniview Technologies Co., Ltd. All rights reserved.

\*Product specifications and availability are subject to change without notice.

\*Despite our best efforts, technical or typographical errors may exist in this document. Uniview cannot be held responsible for any such errors and reserves the right to change the contents of this document without prior notice.