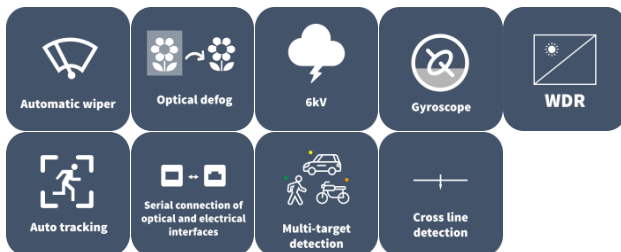


8MP 41X LightHunter Intelligent Network Positioning System IPC7628EL-L-X41-VH1



Features

- 3840 × 2160@30 fps in the main stream
- Triple streams
- 41X optical zoom
- Smart intrusion prevention, supports false alarm filtering, including cross line, intrusion, enter area, leave area detection
- automatic selection of best snapshots, supports face detection masked area
- People counting, supports people flow counting and crowd density monitoring
- Supports optical defog, self-adaptive defog
- LightHunter technology ensures ultra-high image quality in low illumination environment
- Smart IR, up to 1000 m (3281 ft) IR distance
- Rain-sensing auto wiper
- Power supply: DC±48 V±25%, DC 24 V±15% (DC 20 V to DC 60 V), AC 24 V±25%
- Alarm I/O: 7/2, audio I/O: 1/1

Specifications

Model	IPC7628EL-L-X41-VH1
Camera	
Max Resolution	8 MP
Sensor	1/1.8" CMOS
Min. Illumination	Color: 0.0002 Lux (F1.2, AGC ON), 0 Lux with IR
Day/Night	IR-cut filter with auto switch (ICR)
Shutter	Auto/Manual, 1 to 1/100000 s
WDR	120 dB
S/N	>56 dB
Lens	
Focal Length	6~246mm
Digital Zoom	16X
Optical Zoom	41X
Iris	F1.2(W)~F4.6(T)
Field of View (H)	57.96° (W) to 2.15° (T)
Field of View (V)	34.61° (W) to 1.21° (T)
Field of View (D)	75.3° (W) to 2.6° (T)
DORI	
DORI Distance (Detect)	155.5 m to 4829.4 m (510.2 ft. to 15844.5 ft.)
DORI Distance (Observe)	62.2 m to 1931.8 m (204.0 ft. to 6337.8 ft.)
DORI Distance (Recognize)	31.1 m to 965.9 m (102.0 ft. to 3169.0 ft.)
DORI Distance (Identify)	15.5 m to 482.9 m (51.0 ft. to 1584.4 ft.)
Video	
Privacy Mask	24 areas, up to 8 areas per scene
Video Compression	Ultra 265, H.265, H.264, MJPEG
Frame Rate	Main Stream: 8 MP (3840 × 2160), max. 30 fps; Sub Stream: 1080P (1920 × 1080), max. 30 fps; Third Stream: D1 (720 × 576), max. 30 fps
Frame Rate Recommendation	8 MP@30 fps + 1080P@30 fps + D1@30 fps
Video Bit Rate	128Kbps~16384Kbps
U-code	Support
ROI	Support
Video Stream	Triple streams
OSD	Up to 10 OSDs
Intelligent	
Multi-target Detection	Support
Smart Intrusion Prevention	Cross line detection, intrusion detection, enter area detection, leave area detection (support false alarm filtering and the classification of human, non-motor vehicle and vehicle)
People Counting	Support people flow counting and crowd density detection
Image	
White Balance	Auto, Outdoor, Fine tune, Sodium lamp, Locked, Auto2

Digital Noise Reduction	2D/3D DNR
Flip	Normal, Flip vertical, Flip horizontal, 180°
HLC	Support
BLC	Support
Defog	Support
Events	
Basic Detection	Motion detection, Ultra motion detection, Tampering alarm, Audio detection, Voltage detection, Object removed, Object Left Behind
General Function	Watermark, IP address filtering, Alarm input, Alarm output, Access policy, ARP protection, RTSP authentication, User authentication, HTTP authentication
Audio	
Audio Compression	G.711U, G.711A
Audio Bitrate	128 Kbps
Two-way Audio	Support
Suppression	Support
Sampling Rate	16KHZ
Storage	
Edge Storage	MicroSD, up to 512 GB
Network Storage	ANR, NAS (NFS)
Illuminator	
IR On/Off Control	Auto/Manual
Wavelength	850 nm
Illumination Distance (VF laser)	1000 m (3280.8 ft.)
Network	
Protocols	IPv4, IGMP, ICMP, ARP, TCP, UDP, DHCP, PPPoE, RTP, RTSP, RTCP, DNS, DDNS, NTP, FTP, UPnP, HTTP, HTTPS, 802.1x, SNMP, QoS, RTMP, SSL/TLS, IPv6
Compatible Integration	ONVIF (Profile S, Profile G, Profile T, Profile M), API, SDK
User/Host	Up to 32 users. 3 user levels: administrator, common user and operator
Security	Password Protection, Strong Password, HTTPS Encryption, Export Operation Logs, Basic and Digest Authentication for RTSP, Digest Authentication for HTTP, TLS 1.2, WSSE and Digest Authentication for ONVIF
Client	EZStation, UNV-Link, UNV-Link Pro
Web Browser	Plug-in required live view: IE 10 and above, Chrome 45 and above, Firefox 52 and above, Edge 79 and above
PTZ	
Number of Presets	1024
Preset Patrol	16 patrols, up to 64 presets for each patrol
Route Patrol	16 patrols, up to 32 actions for each patrol
Recorded Patrol	Support
Patrol Stay Time	15 s to 1800 s
Preset Image Freeze	Support
Home Position	Support

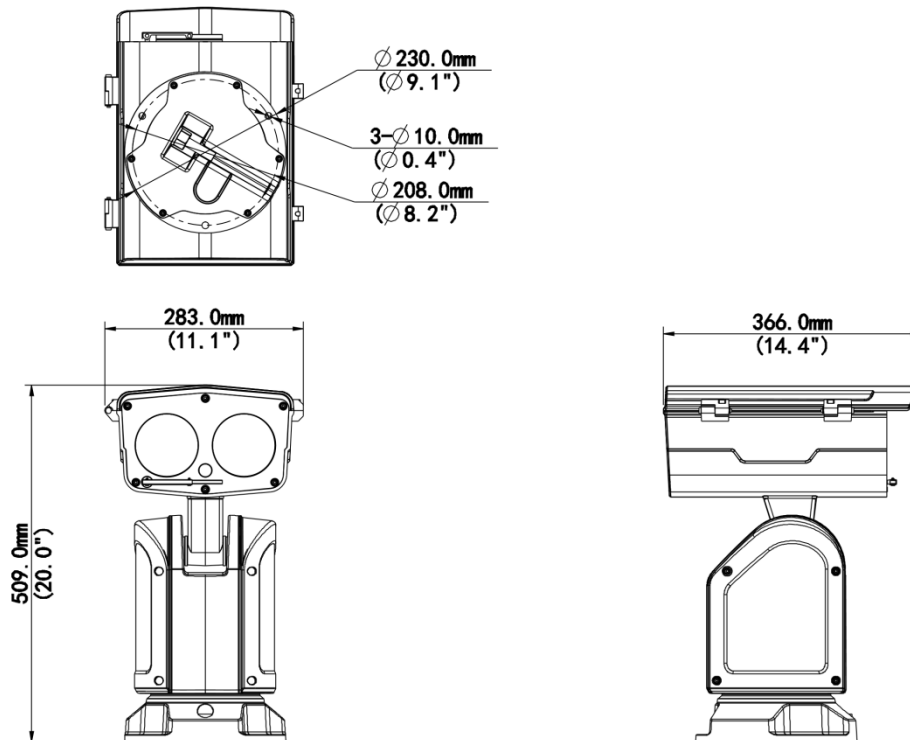
Number of Presets (IPC)	1024
Pan Range	360° (endless)
Tilt Range	45° to -90°
Pan Speed	0.1°/s to 140°/s
Tilt Speed	0.1°/s to 50°/s
3D Positioning	Support
Number of Patrol	16
Snow Removal Mode	Support
Patrol Recording	Support
Interface	
Audio I/O	1 Input: impedance 1 kΩ, amplitude 2.5 V [p-p], 1 Output: impedance 600 Ω, amplitude 2.5 V [p-p]
Alarm I/O	7/2
Serial Port	1 * RS485
Network	1 × RJ45 10 M/100 M/1000 M Base-TX Ethernet + 1 × 100 M/1000 M SFP
Video Output	1 BNC (for debugging)
Certification	
EMC	CE-EMC (EN 55032:2015, EN 50130-4:2011+A1:2014, EN 61000-3-2:2014, EN 61000-3-3:2013) FCC (FCC CFR 47 part15 B, ANSI C63.4-2014)
Safety	CE LVD (EN IEC 62368-1:2020+A11:2020) UL (UL UL 62368-1, 3rd Ed., 2021-10-22)
Environment	CE-ROHS (2011/65/EU; (EU)2015/863)
Protection	IP66 (IEC 60529:1989+AMD1:1999+AMD2:2013)
General	
Power	DC±48 V±25%, DC 24 V±15% (DC 20 V to DC 60 V), AC 24 V±25%
Power Consumption	Max. 114 W
Power Interface	Wires with cold-pressed terminal
Dimensions	366 mm × 283 mm × 509 mm (14.4" × 11.1" × 20.0") (L × W × H)
Weight	15.42 kg (34 lb.)
Working Environment	-40°C ~ 70°C (-40°F ~ 158°F), Humidity: ≤95% RH (non-condensing)
Storage Environment	-40°C ~ 70°C (-40°F ~ 158°F), Humidity: ≤95% RH (non-condensing)
Surge Protection	6 KV
Reset Button	Support
RTC	Support
Material	Metal
Live View	
Maximum Bitstream	35
Maximum Bandwidth	50 Mbps
Plugin Free	Support
OSD Font	Vector
OSD Color	Support
OSD Character Number	40
3D Privacy Mask	Support
Compliance	
NDA Compliant	N/A

Configurable

P/N

Support

Dimensions



Accessories

TR-WM08-B

Wall Mounting Bracket for Explosion-proof
Pan-Tilt



Unlimited New View

Zhejiang Uniview Technologies Co., Ltd.



<http://www.uniview.com>



overseasbusiness@uniview.com; globalsupport@uniview.com



No. 369, Xietong Road, Xixing Sub-district, Binjiang District, Hangzhou City, 310051, Zhejiang Province, China



©2023-2025 Zhejiang Uniview Technologies Co., Ltd. All rights reserved.

*Product specifications and availability are subject to change without notice.

Despite our best efforts, technical or typographical errors may exist in this document. Uniview cannot be held responsible for any such errors and reserves the right to change the contents of this document without prior notice.