

# 2MP ColorHunter HD PT Analog Camera

UAC-P112-AF40-W



## Overview

UAC-P112-AF40-W is a 2MP ColorHunter HD PT analog camera with a high-performance 1/2.9-inch CMOS sensor. It supports TVI/AHD/CVI/CVBS, which effectively enhances product adaptability and diversity of networking solutions. With SYV-75-3 or other coaxial cable types, the camera can achieve low-cost, long-distance, and anti-interference megapixel HD video transmission without time delay. It supports audio input, synchronous transmission of audio and video, and provides 24/7 color images. The pan&tilt design allows the camera to rotate horizontally and vertically to achieve a wide range of monitoring.

## Features

- 2MP high quality imaging
- TVI/AHD/CVI/CVBS
- Supports white light illumination, 24/7 color images
- Supports 180° horizontal flip, 180° vertical flip
- OSD configuration menu, easy to operate
- IP66 waterproof and dustproof design, high reliability
- OSD configuration menu in 11 languages
- Built-in microphone for high quality audio transmission via coaxial cables
- Supports 0 to 345° pan range, 0 to 90° tilt range

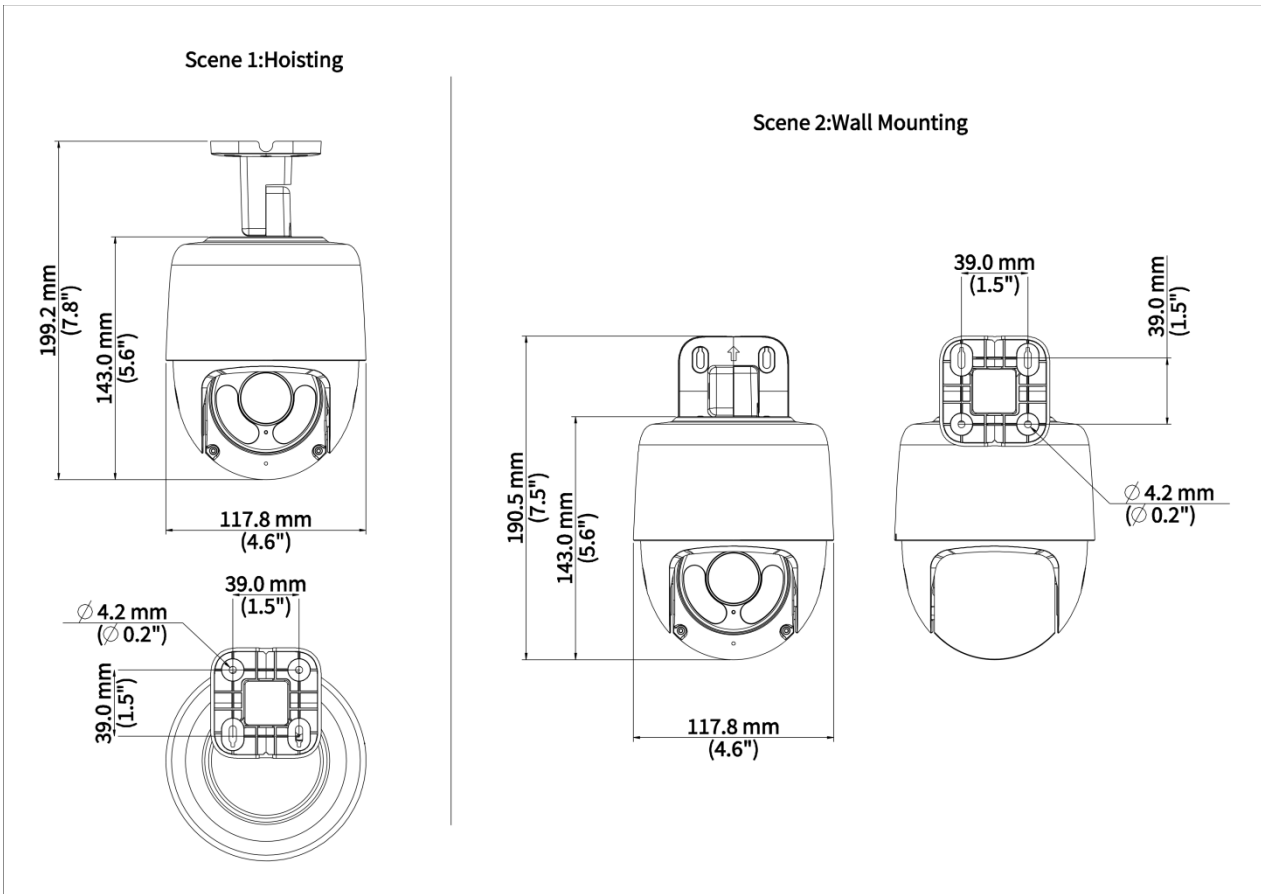
- Supports digital defog

## Specifications

Model	UAC-P112-AF40-W
Sensor	
Pixel	2 MP
Sensor Size	1/2.9" CMOS
Min. Illumination	0.005 lux (F1.6, AGC ON) 0 lux (white light on)
Lens	
Focus	4.0 mm
Lens Mount	M12
Angle of View (H)	83.8°
Angle of View (V)	42.7°
Angle of View (D)	100.1°
Illuminator	
Illuminator Number	Eight white-light illuminators
Illumination Distance	30m
Lifetime	≥ 20000 hours
Video	
Resolution	1080P: 1920(H)×1080(V) 720P: 1280(H) ×720(V)
Frame Rate	TVI: 1080P@25fps (default), 1080P@30fps; 720P@25fps, 720P@30fps AHD: 1080P@25fps, 1080P@30fps; 720P@25fps, 720P@30fps CVI: 1080P@25fps, 1080P@30fps; 720P@25fps, 720P@30fps CVBS: PAL, NTSC
Shutter Time	PAL: 1/25s-1/50000s, NTSC: 1/30s-1/50000s
Image	
Exposure Mode	Four modes: Global (default), BLC, HLC, DWDR
Day/Night	24/7 color images
Digital Noise Reduction	2D/3D

White Balance	Two modes: Auto (default), Manual
WDR	DWDR
Flip	Supports 180°horizontal flip, 180°vertical flip
Digital Defog	Support
<b>PTZ</b>	
Pan Range	0° to 345°
Pan Speed	1° to 40°/s
Tilt Range	0° to 90°
Tilt Speed	1° to 30°/s
Number of Presets	32
Control Mode	485/BNC
Patrol	N/A
Baud Rate	9600 bps/4800 bps/2400 bps/1200 bps
<b>Interface</b>	
Power Interface	5.5 mm Power Interface
Video Output	BNC, supports TVI/AHD/CVI/CVBS
RS485	Support
<b>Operating Environment</b>	
Temperature	-30 °C to 60 °C (-22 °F to 140 °F)
Humidity	≤ 95% RH (non-condensing)
Surge Protection	4 KV for power, 4 KV for video output interfaces, 6 kV for RS485 interface
Ingress Protection	IP66
<b>General</b>	
Power	DC 12 V ± 25%
Power Consumption	MAX 8.5W
Mount	Wall Mount, Pendant Mount
Dimensions	Φ118mm*190mm (diameter*height)
Material	Graphene + Plastic
Weight	477g(1.05lb)

## Dimensions



**Zhejiang Uniview Technologies Co., Ltd.**

No. 369, Xietong Road, Xixing Sub-district, Binjiang District, Hangzhou City, 310051, Zhejiang Province, China (Zhejiang) Pilot Free Trade Zone, China

Email: [overseasbusiness@uniview.com](mailto:overseasbusiness@uniview.com); [globalsupport@uniview.com](mailto:globalsupport@uniview.com)

<http://www.uniview.com>

©2023-2025 Zhejiang Uniview Technologies Co., Ltd. All rights reserved.

\*Product specifications and availability are subject to change without notice.

\*Despite our best efforts, technical or typographical errors may exist in this document. Uniview cannot be held responsible for any such errors and reserves the right to change the contents of this document without prior notice.