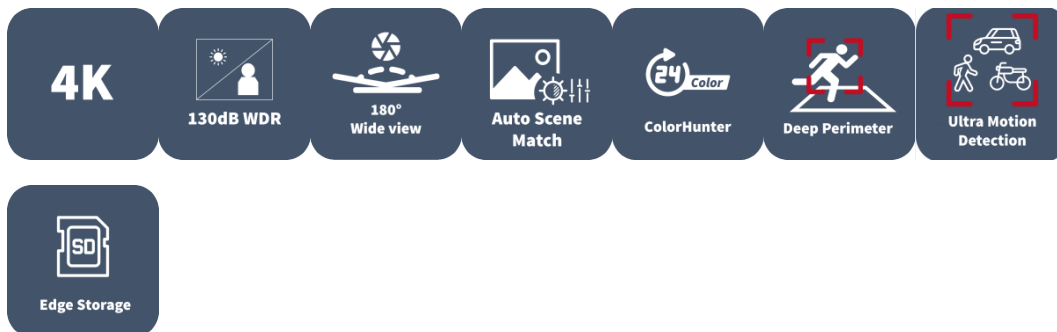


4K HD ColorHunter Omniview Series Fixed Bullet Network Camera

IPC2K28SE-ADF40KMC-WL-I0



Features

- High quality image with 8MP, 1/2.7"CMOS sensor
- 8MP (5120*1440)@20fps
- The double lens splicing technology is adopted to realize the horizontal viewing angle of 180 ± 10
- Colorhunter technology ensures 24-hour full-color images
- Based on target classification, smart intrusion prevention significantly reduce false alarm caused by leaves, birds and lights etc., accurately focus on human and, motor vehicle and non-motor vehicle
- Intelligent People Flow Counting and Crowd Density Monitoring
- Smart intrusion prevention with Color retrieval
- Auto Scene Match (ASM) (Only WDR)
- Alarm:1 in/1 out
- Audio: 1 in/1 out

- Built-in speaker and dual mics
- Support 512 GB micro SD card
- 12V DC/PoE power supply

Specifications

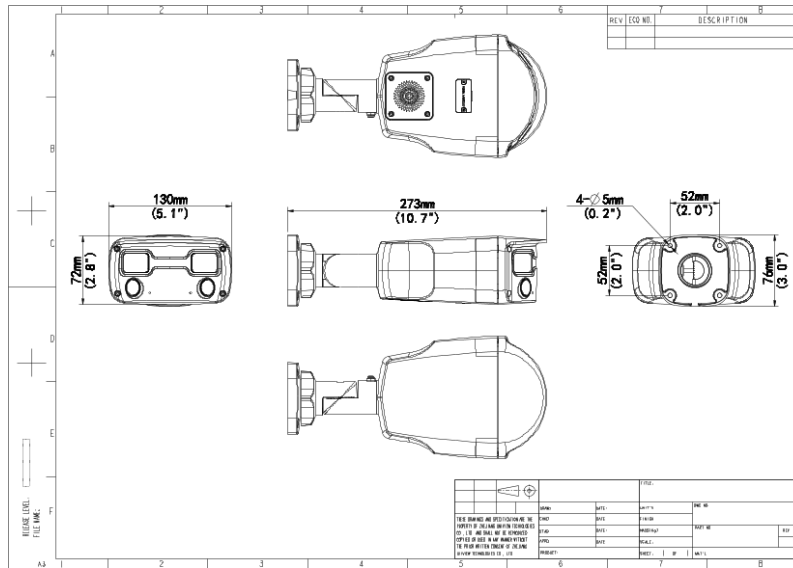
Camera	Description
Sensor	1/2.7" CMOS
Min. Illumination	Colour: 0.0005 lux (F1.0, AGC ON)
Shutter	Auto/Manual, 1 ~ 1/100000s
Adjustment Angle	Pan: 0° ~ 360°, Tilt: 0° ~ 90°, Rotate: 0° ~ 360°
S/N	>52dB
WDR	130dB
Lens	Description
Focal Length	2 x 4.0 mm
Iris	F1.0
Field of View (H)	180° ± 10°
Field of View (V)	47.41°
Field of View (D)	180.13° ± 10°
Lens Type	Fixed
DORI	Description
DORI Distance (Lens)	4.0mm
DORI Distance (Detect)	90m(259.3ft)
DORI Distance (Observe)	36m(118.1ft)
DORI Distance (Recognize)	18m(59.1ft)
DORI Distance (Identify)	9m(29.5fft)
Illuminator	Description
Supplemental Light	Warm Light
Illumination Distance (Warm Light)	30 m (98.4 ft)
Light On/Off Control	Auto/Manual
Video	Description

Video Compression	Ultra 265; H.265; H.264; MJPEG
H.264 Code Profile	Baseline profile, Main profile, High profile
Frame Rate	Main Stream: 8MP (5120*1440), Max 20fps Sub Stream: 2560*720, Max 20fps
Video Bit Rate	128 Kbps ~ 16 Mbps
U-code	Support
OSD	Up to 8 OSDs
Privacy Mask	Up to 4 areas
ROI	Support
Video Stream	Double streams
Image	Description
Smart Illumination	Support
White Balance	Auto; Outdoor; Fine Tune; Sodium Lamp; Locked; Auto2
Digital Noise Reduction	2D/3D DNR
Auto Scene Match (ASM)	Support (Only WDR)
Flip	N/A
Dewarping	N/A
HLC	Support
BLC	Support
Defog	Digital Defog
Image Stabilization	N/A
Intelligent	Description
Smart Intrusion Prevention	Cross line detection, Intrusion detection, Enter area detection, Leave area detection (support false alarm filtering and the classification of human, non-motor vehicle and vehicle)
Statistical Analysis	N/A
People Counting	Support People Flow Counting and Crowd Density Monitoring
Attribute Collection	SIP with color retrieval
Events	Description
Basic Detection	Motion Detection; Ultra Motion Detection; Tampering Alarm; Audio Detection
General Function	Watermark; IP Address Filtering; Access Policy; ARP Protection; RTSP Authentication; User Authentication; HTTP Authentication; Alarm Input; Alarm Output
Audio	Description

Audio Compression	G.711U; G.711A
Audio Bitrate	64 Kbps
Two-way Audio	Support
Suppression	Support
Sampling Rate	8 KHz
Storage	Description
Edge Storage	Micro SD, up to 512 GB
Network Storage	ANR; NAS (NFS)
Network	Description
Protocols	IPv4; IPv6; IGMP; ICMP; ARP; TCP; UDP; DHCP; PPPoE; RTP; RTSP; RTCP; RTMP; DNS; DDNS; NTP; FTP; UPnP; HTTP; HTTPS; SMTP; 802.1x; SNMP; QoS; SSL/TLS; SSH
Compatible Integration	ONVIF (Profile S, Profile G, Profile T); API; SDK
User/Host	Up to 32 users. 3 user levels: administrator, common user and operator
Security	Password Protection; Strong Password; HTTPS Encryption; Export Operation Logs; Basic and Digest Authentication for RTSP; Digest Authentication for HTTP; TLS 1.2; WSSE and Digest Authentication for ONVIF
Client	UNV-Link; UNV-Link Pro; EZStation
Web Browser	Plug-in required live view: IE 10 and above, Chrome 45 and above, Firefox 52 and above, Edge 79 and above; Plug-in free live view: Chrome 57.0 and above, Firefox 58.0 and above, Edge 16 and above
Interface	Description
Audio I/O	1 Input: impedance 35k Ω ; amplitude 2V [p-p]; 1 Output: impedance 600 Ω ; amplitude 2V [p-p]
Alarm I/O	1/1
Serial Port	N/A
Built-in Mic	Built-in two mics
Built-in Speaker	Support
WIFI	N/A
Network	1 x RJ45 10M/100M Base-TX Ethernet
Video Output	N/A
Certification	Description
EMC	CE-EMC (EN 55032: 2015+A1:2020,EN 61000-3-3: 2013+A1: 2019,EN IEC 61000-3-2:

	2019+A1: 2021,EN 55035: 2017+A11:2020) FCC (FCC CFR 47 part15 B, ANSI C63.4-2014)
Safety	CE LVD (EN 62368-1:2014+A11:2017) CB (IEC 62368-1:2014) UL (UL 62368-1, 2nd Ed., Issue Date: 2014-12-01)
Environment	CE-RoHS (2011/65/EU;(EU)2015/863); WEEE (2012/19/EU); Reach (Regulation (EC) No 1907/2006)
Protection	IP67 (IEC 60529: 1989+AMD1: 1999+AMD2: 2013)
General	Description
Power	DC 12V \pm 25%, PoE (IEEE 802.3af)
Power Consumption	Max 13W
Power Interface	Ø 5.5 mm coaxial power plug
Dimensions	273 × 130 × 76mm (10.7" × 5.1" × 3.0") (L x W x H)
Weight	0.96kg (2.12lb)
Material	Metal
Working Environment	-30 °C ~ 60 °C (-22 °F ~ 140 °F), Humidity: ≤95% RH (non-condensing)
Storage Environment	-30 °C ~ 60 °C (-22 °F ~ 140 °F), Humidity: ≤95% RH (non-condensing)
Surge Protection	4KV
Reset Button	Support
Web Client Language	20 Languages Traditional Chinese, English, Simplified Chinese, Polish, German, Russian, French, Korean, Dutch, Czech, Portuguese (Europe), Portuguese (Brazil), Japanese, Thai, Turkish, Spanish (Latin America), Spanish (Europe), Hungarian, Italian, Vietnamese

Dimensions



Accessories

TR-JB07-D-IN

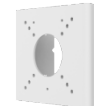
Bullet Junction Box(Support wiring from behind)

TR-JB06-A-IN

Middle Bullet Junction Box(Elegant White)

TR-UP06-B-IN

Bullet Pole Mounting Bracket



TR-UP06-C-IN

Pole Mounting Bracket for Bullet Junction Box Only

TR-A01-IN

NPT 3/4" Waterproof Cable Gland

TR-UC08-C

Bullet&Dome Corner Mounting Bracket



Zhejiang Uniview Technologies Co., Ltd.

No. 369, Xietong Road, Xixing Sub-district, Binjiang District, Hangzhou City, 310051, Zhejiang Province, China (Zhejiang) Pilot Free Trade Zone, China

Email: overseasbusiness@uniview.com; globalsupport@uniview.com

<http://www.uniview.com>

©2023-2024 Zhejiang Uniview Technologies Co., Ltd. All rights reserved.

*Product specifications and availability are subject to change without notice.

*Despite our best efforts, technical or typographical errors may exist in this document. Uniview cannot be held responsible for any such errors and reserves the right to change the contents of this document without prior notice.