

Digital Video Recorder

XVR301-16Q3



Features

- Support Ultra 265/H.265/H.264 video formats
- Support audio over coaxial cable(only for TVI cameras)
- Control the dual-light of UNV analog cameras under TVI
- Support TVI, AHD, CVI, CVBS, IP cameras with adaptive access
- 16-channel BNC input
- Support 1-ch CVBS output, 1-ch VGA output, 1-ch HDMI output at up to 4K(3840 x 2160)
- HDMI and VGA simultaneous output
- Long transmission distance over coaxial cable
- Support mainstream cameras of ONVIF and RTSP protocols

Specifications

Model	XVR301-16Q3
Video/Audio Input	
IP Video Input	8-ch
Analog Video Input	16-ch, BNC
Max IP Video Input	24-ch

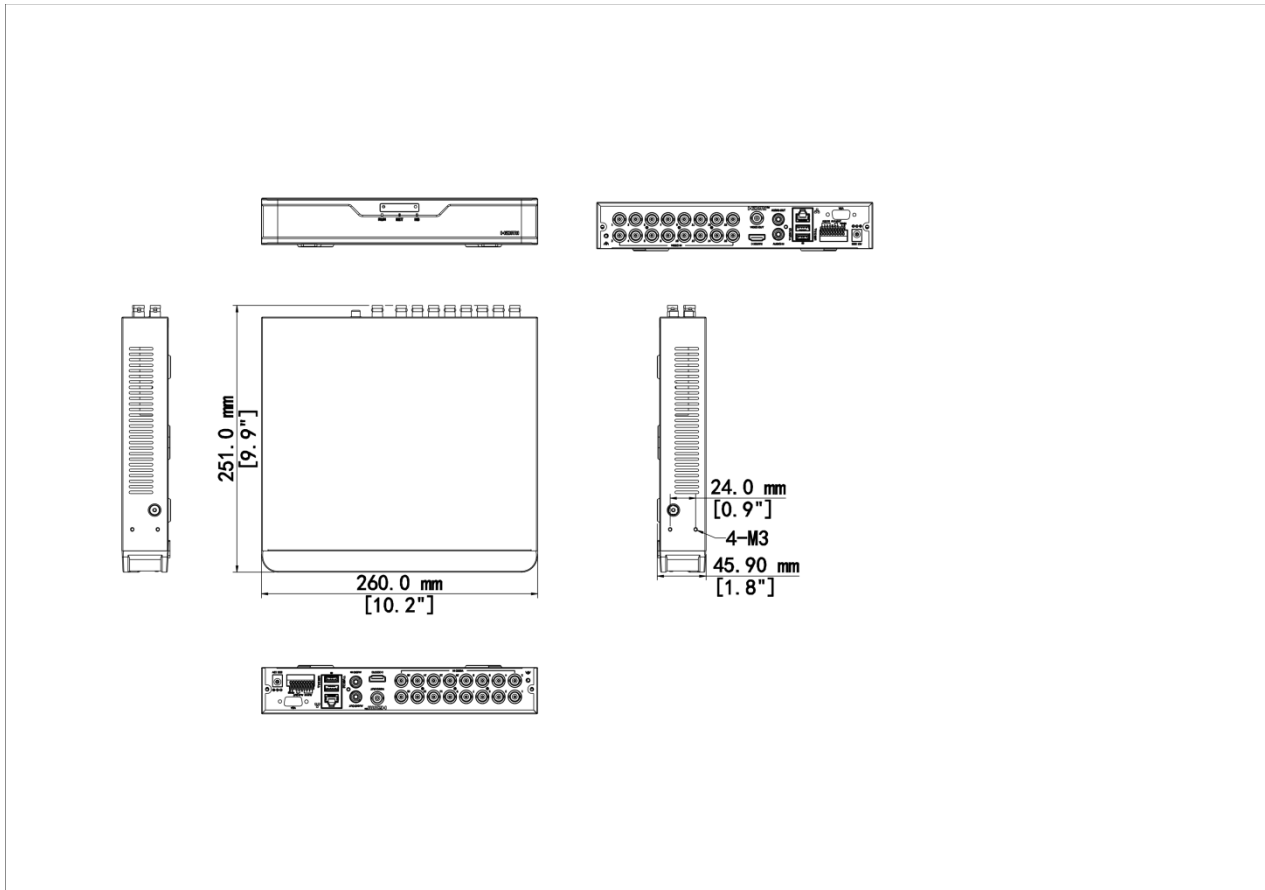
Supported Analog Camera Types	<p>Support AHD input:</p> <p>8MP@15fps 5MP@20fps 4MP@30fps 1080P@30fps 720P@30fps</p> <p>Support TVI input:</p> <p>8MP@15fps 5MP@20fps 4MP@30fps 1080P@30fps 720P@30fps</p> <p>Support CVI input:</p> <p>8MP@15fps 5MP@25fps 4MP@30fps 1080P@30fps 720P@30fps</p> <p>Support CVBS input</p>
BNC Audio Input	16-ch, channel audio
RCA Audio Input	1-ch
Video/Audio Output	
HDMI Output	HDMI: 4K (3840 × 2160)/30 Hz, 1920 × 1080/60 Hz, 1920 × 1080/50 Hz, 1600 × 1200/60 Hz, 1280 × 1024/60 Hz, 1280 × 720/60 Hz, 1024 × 768/60 Hz
VGA Output	VGA: 1920 × 1080/60 Hz, 1920 × 1080/50 Hz, 1600 × 1200/60 Hz, 1280 × 1024/60 Hz, 1280 × 720/60 Hz, 1024 × 768/60 Hz
BNC Video Output	1-ch
RCA Audio Output	1-ch
Live View Display	HDMI/VGA: 1/4/6/8/9/25
Playback Screen	1/4/9/16
Encoding/Decoding	
Recording Resolution	8MP Lite/5MP Lite/4MP Lite/1080P/720P/D1

Recording Frame Rate	Main stream: 8MP Lite@8fps Sub stream: D1@8fps Main stream: 5MP Lite@12fps Sub stream: D1@12fps Main stream: 4MP Lite@15fps Sub stream: D1@15fps Main stream: 1080P@15fps Sub stream: D1@12fps Main stream: 720P@30fp Sub stream: D1@12fps
Audio Sample Rate	8 kHz, 16 bit per channel
Audio Bit Rate	64 Kbps per channel
Decoding Capability	Analog: 16 x 8MP Lite@8, 16 x 5MP Lite@12, 16 x 4MP Lite@15, 16 x 1080P@15, 16 x 720@30 IP: 2 x 8MP@30, 3 x 5MP@30, 4 x 4MP@30, 8 x 1080P@30, 16 x 720P@30, 24 x D1@30
Num of Concurrent Playback in Local	16-ch
Coaxial Cable	
Audio over Coaxial Cable(Form)	16-ch, One-way Audio(TVI)
Two-way Audio	
Two-way Audio	1-ch, RCA (Using the audio input and output)
Analog Snapshot	
FTP/Schedule/Event Snapshot	Schedule/FTP/Event snapshot:16-ch snapshot, up to 704*576 resolution
Network	
Incoming Bandwidth	80Mbps (Up to 112 Mbps after all analog channel conversion)
Outgoing Bandwidth	160Mbps
Remote Users	128
Protocols	TCP/IP, P2P, UPnP, DHCP, HTTP, HTTPS, DNS, DDNS, SMTP
Browser(Plugin)	IE10, IE11, Chrome 45+, Edge 79+, Firefox 52+
Smart	
Analog Smart by XVR	SIP (Intrusion Detection, Cross Line Detection, Enter Area, Leave Area), Ultra Motion Detection (UMD) , Face Detection
IP Smart by IPC	Face Detection, SIP(Intrusion Detection,Cross Line Detection,Enter Area,Leave Area), Defocus Detection, Object Removed, Object Left Behind, Auto Tracking
VCA Search	Face Search, Behavior Search

Smart Functions by XVR	16-ch (UMD), 4-ch (SIP)
Smart Functions by IP Camera	4-ch (SIP)
Alarm	
General Alarm	Motion
Alert Alarm	IP Conflict, Network Disconnected, Disk offline, Disk Abnormal, Illegal Access, Hard Disk Space Low, Hard Disk Full, Recording/Snapshot Abnormal
GUI Language	
GUI Language	38 languages: Simplified Chinese, Traditional Chinese, English, Vietnamese, Thai, Turkish, Spanish (Latin America), Portuguese (Brazil), Spanish, Portuguese, French, German, Italian, Dutch, Polish, Czech, Hungarian, Slovak, Russian, Hebrew, Arabic, Ukrainian, Estonian, Bulgarian, Greek, Romanian, Danish, Swedish, Norwegian, Finnish, Croatian, Slovenia, Serbia, Korean, Japanese, Latvian, Lithuanian, Persian
Hard Disk	
SATA	1 SATA interface
Capacity	Up to 16 TB for each HDD (The maximum HDD capacity varies with environment temperature)
External Interface	
Network Interface	1 RJ45 10 M/100 M/1000 M self-adaptive Ethernet Interface
USB	Rear panel: 1 × USB2.0, 1 × USB3.0
RS485	1
RS232	N/A
Alarm In	4-ch
Alarm Out	1-ch
Power Supply	DC 12 V/3 A
Working Environment	
Working Temperature	-10 °C to 55 °C (14 °F to 131 °F)
Working Humidity	≤ 90% RH (non-condensing)
Power Consumption (without HDD)	≤ 15W
Dimensions	
Weight (without HDD)	≤1.1 Kg (2.42lb)
Dimensions	260mm ×240mm× 46mm (10.2" × 9.5"×1.8")
Certification	
Certification	CE, FCC, UL, RoHS, WEEE

CE	EN 55032, EN 61000-3-3, EN IEC 61000-3-2, EN 55035
FCC	Part15 Subpart B

Dimensions



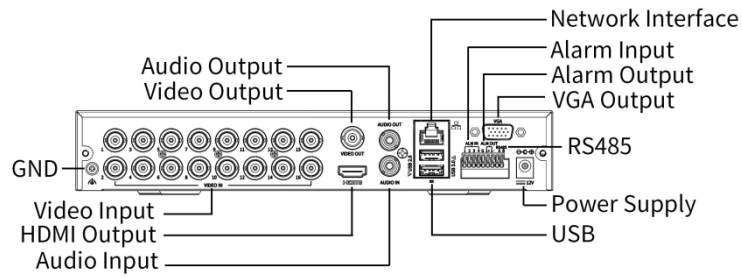
Accessories

RM-1U-260

1 HDD 1U NVR Rack Mount



Rear Panel



Zhejiang Uniview Technologies Co., Ltd.

No. 369, Xietong Road, Xixing Sub-district, Binjiang District, Hangzhou City, 310051, Zhejiang Province, China (Zhejiang) Pilot Free Trade Zone, China

Email: overseasbusiness@uniview.com; globalsupport@uniview.com

<http://www.uniview.com>

©2024-2025 Zhejiang Uniview Technologies Co., Ltd. All rights reserved.

*Product specifications and availability are subject to change without notice.

*Despite our best efforts, technical or typographical errors may exist in this document. Uniview cannot be held responsible for any such errors and reserves the right to change the contents of this document without prior notice.