

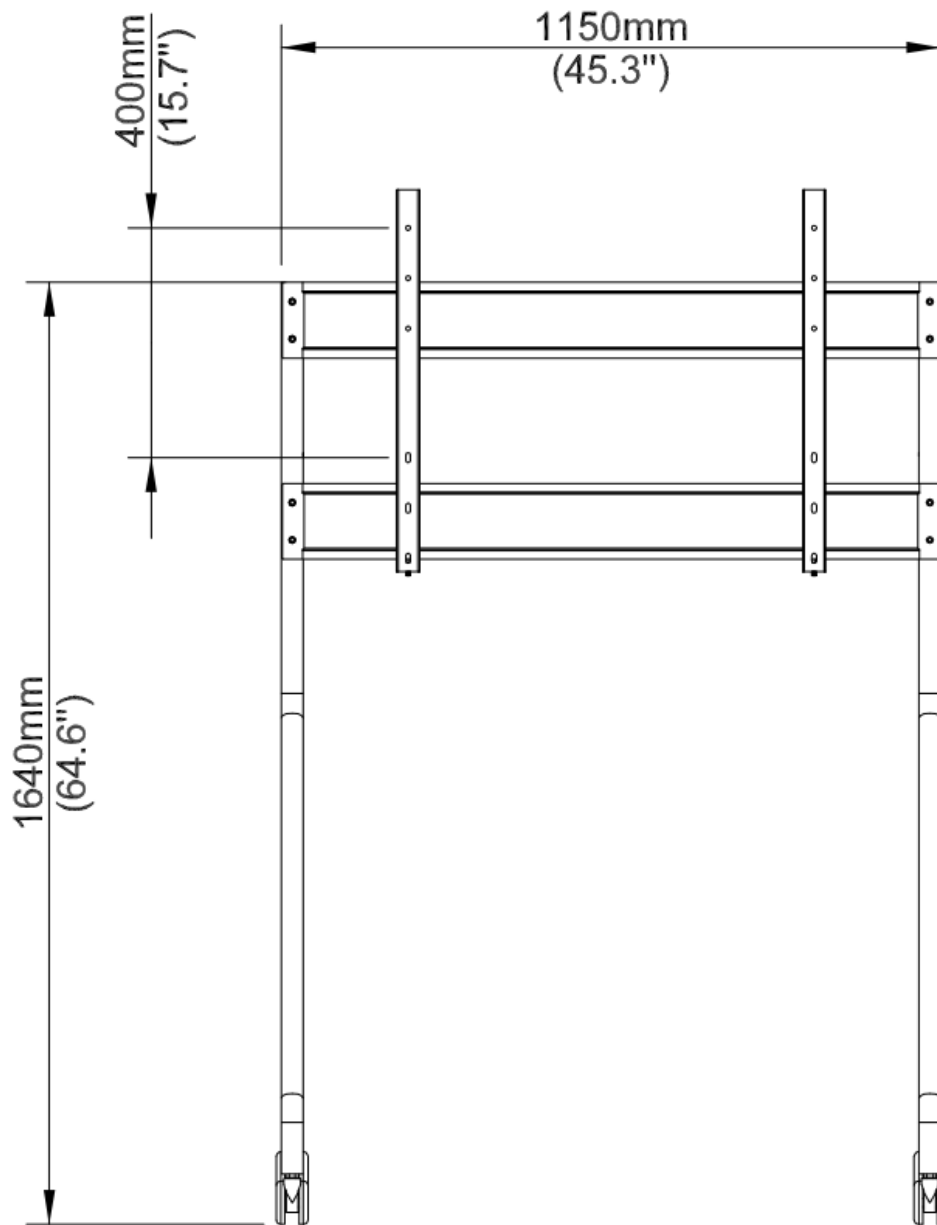
65-86" Smart Interactive Display Mobile Stand HB-8765-S



Specifications

Model	HB-8765-S
General	
Product Dimensions (W × H × D) (mm)	1150 x 1640 x 790
Package Dimensions (W × H × D) (mm)	1582 x 800 x 120
Weight (kg)	Net Weight: 19 Gross Weight: 26
Material	Sheet metal
Minimum Screen Bottom Edge to Ground (mm)	65": 943 75": 905 86": 919
Minimum Screen Top Edge to Ground (mm)	65": 1848 75": 1933 86": 2086
Maximum Screen Bottom Edge to Ground (mm)	65": 1118 75": 1080 86": 1094
Maximum Screen Top Edge to Ground (mm)	65": 2023 75": 2108 86": 2261

Dimensions



Unlimited New View

Zhejiang Uniview Technologies Co., Ltd.



<http://www.uniview.com>



overseasbusiness@uniview.com; globalsupport@uniview.com



No. 369, Xietong Road, Xixing Sub-district, Binjiang District, Hangzhou City, 310051, Zhejiang Province, China



©2023-2025 Zhejiang Uniview Technologies Co., Ltd. All rights reserved.

*Product specifications and availability are subject to change without notice.

Despite our best efforts, technical or typographical errors may exist in this document. Uniview cannot be held responsible for any such errors and reserves the right to change the contents of this document without prior notice.